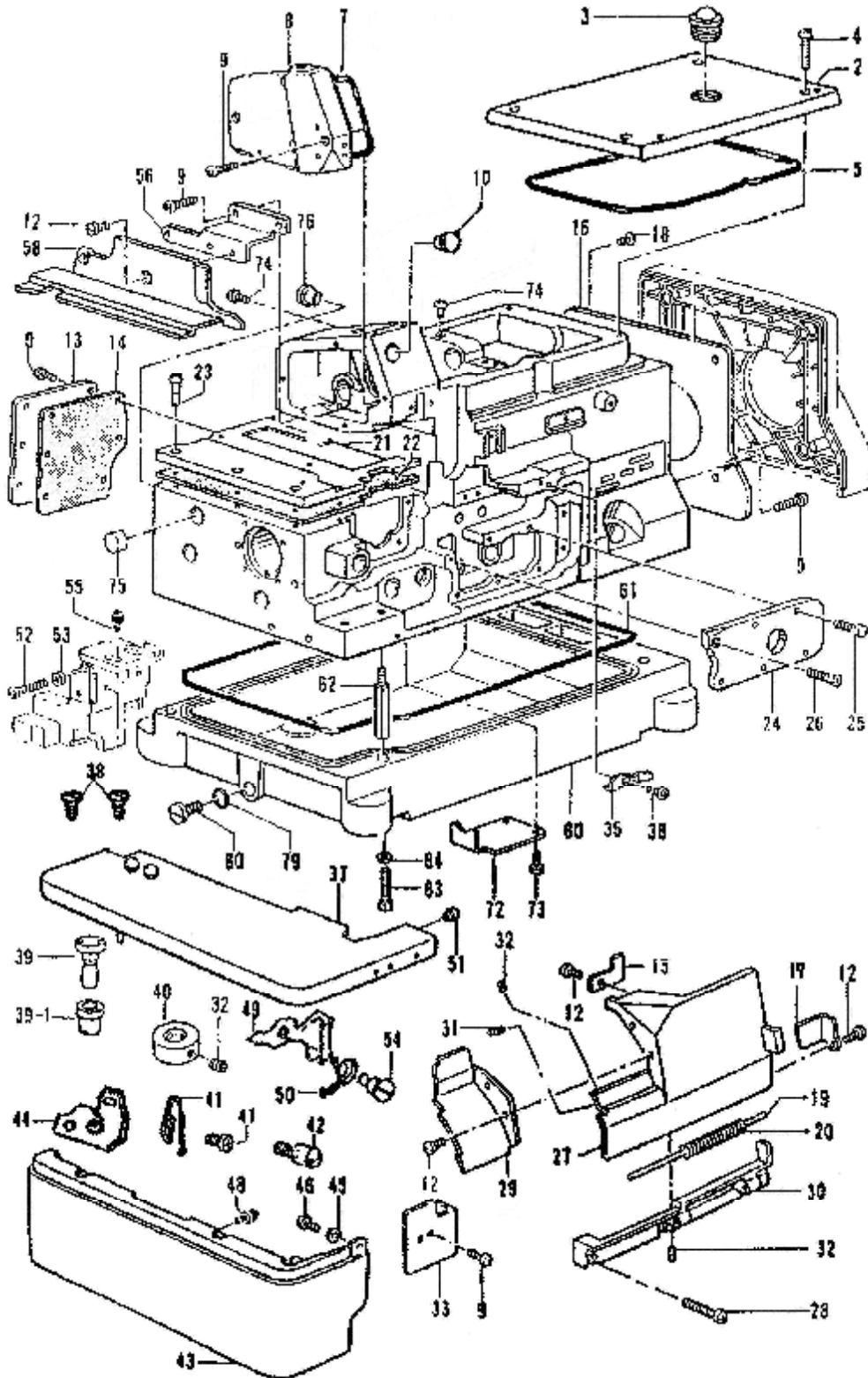
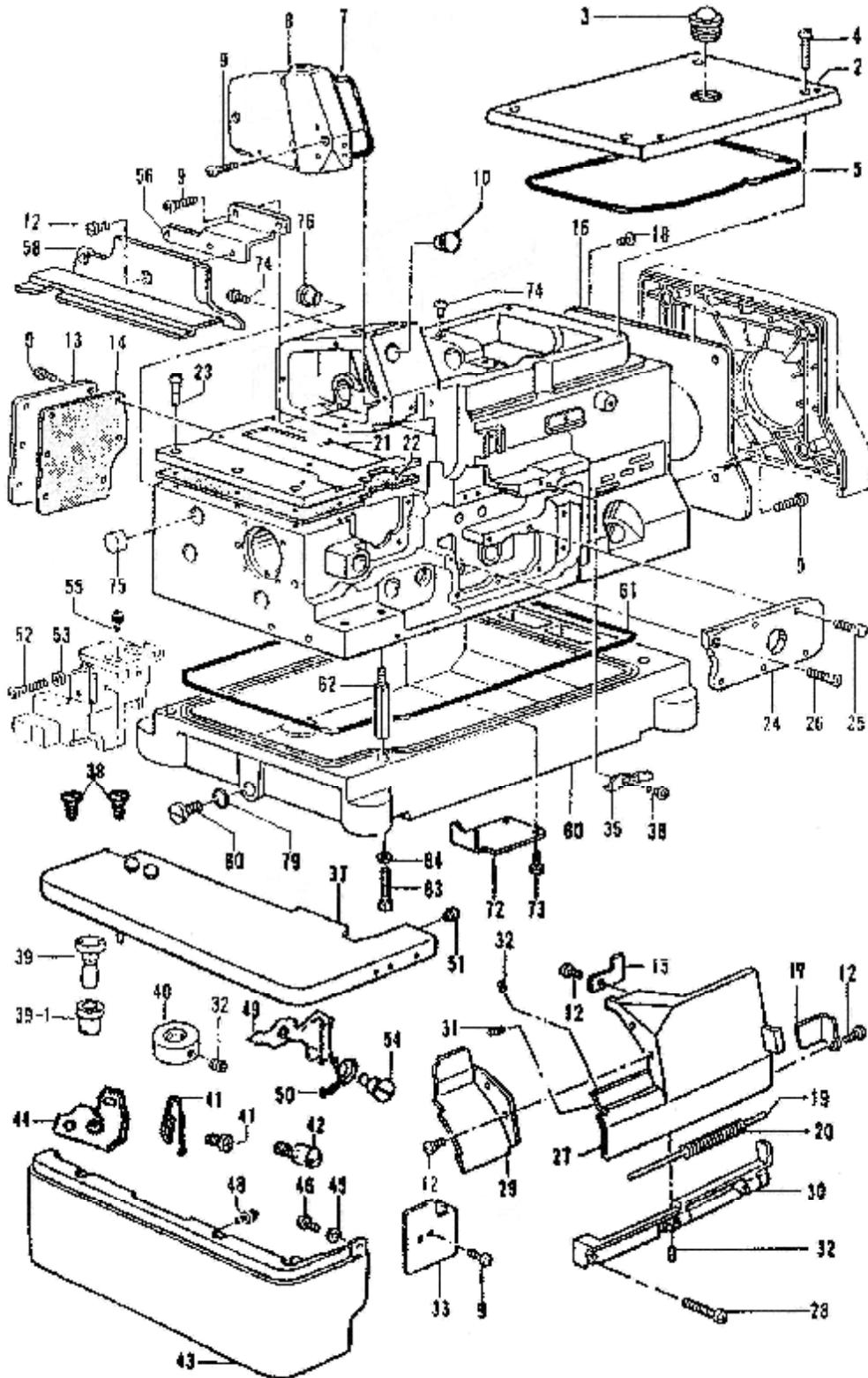


A. MACHINE BODY



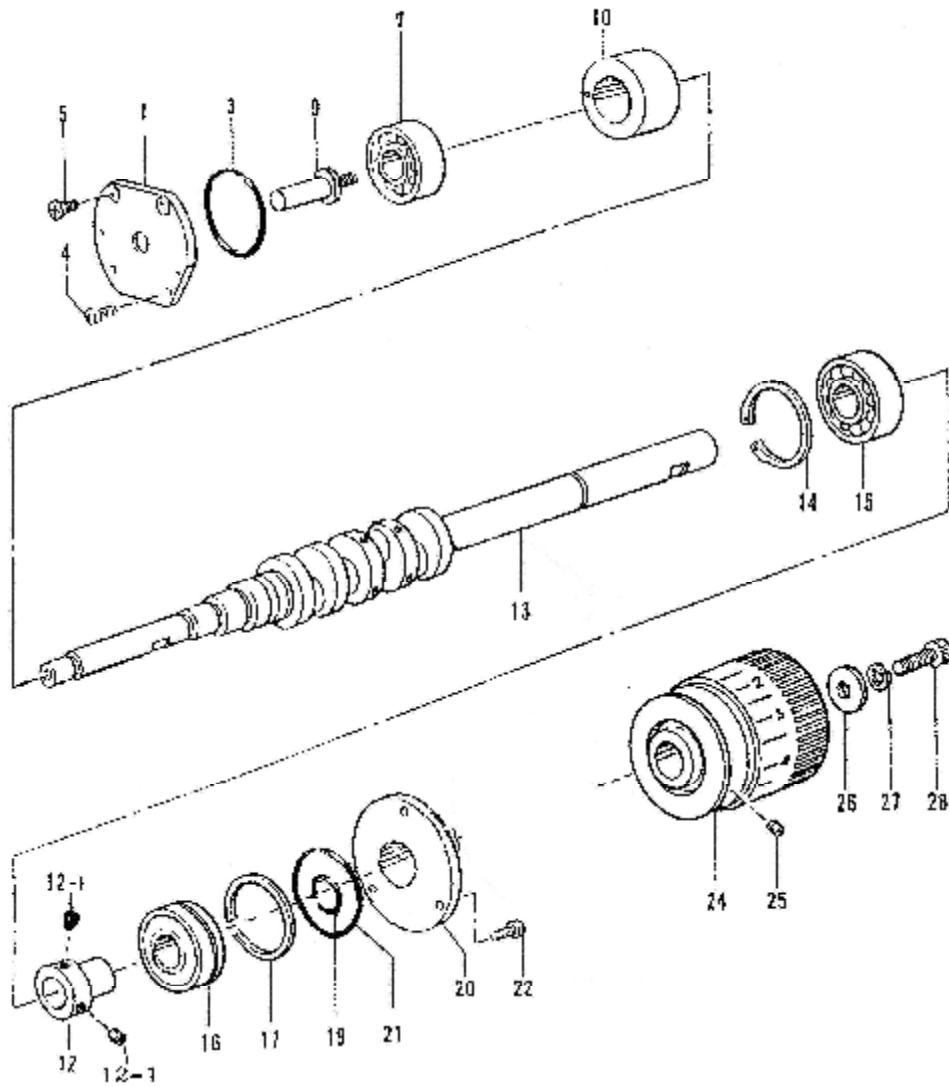
Ref .	Part no.	Description	Ref.	Part no.	Description
1			37	C20137	Cloth plate
2	C20102	Top cover	38	C20138	Screw
3	C20103	Oil gauge window	39	C20139	Fixed bolt
4	C20104	Screw	39-1	C20139-1	Support collar
5	C20105	Packing	40	C20140	Set collar
6			41	C20141	Spring
7	C20107	Packing	42	C20142	Cloth plate fixed screw
8	C20107	Frame side cover assy	43	C20143	Cloth plate lower
9	C20109	Screw	44		
10	C20110	Oil cap	45	C20145	Plain washer
11			46	C20146	Screw
12			47	C20147	Screw
13	C20113	Cover	48	C20148	Oil cap
14	C20114	Packing	49	C20149	Fixed plate
15	C20115	Stopper plate	50	C20150	spring
16	C20116	Fan cover	51	C20151	Oil cap
17	C20117	Front cover stopper	52	C20152	Screw
18	C20118	Screw	53	C20153	Nut
19	C20119	Front cover hinge shaft	54	C20154	Screw
20	C20120	Front cover spring	55	C20155	Oil cap
21	C20121	Feed bar cover	56	C20156	Cloth guide set plate
22	C20122	Packing	57		
23	C20123	Screw	58	C20158	Cloth guide
24	C20124	Inside cover	59		
25	C20125	Screw	60	C20160	Oil reservoir
26	C20126	Screw	61	C20161	Packing
27	C20127	Front cover	62	C20162	Machine body leg
28	C20128	Screw	63	C20163	Bolt
29	C20129	Front cover	64	C20164	Washer
30	C20130	Front cover hinge	65		
31	C20131	Set screw	66		
32	C20132	Set screw	67		
33	C20133	Front cover guide	68		
34			69		
35	C20135	Plate spring	70		
36	C20136	Screw	71		

A. MACHINE BODY



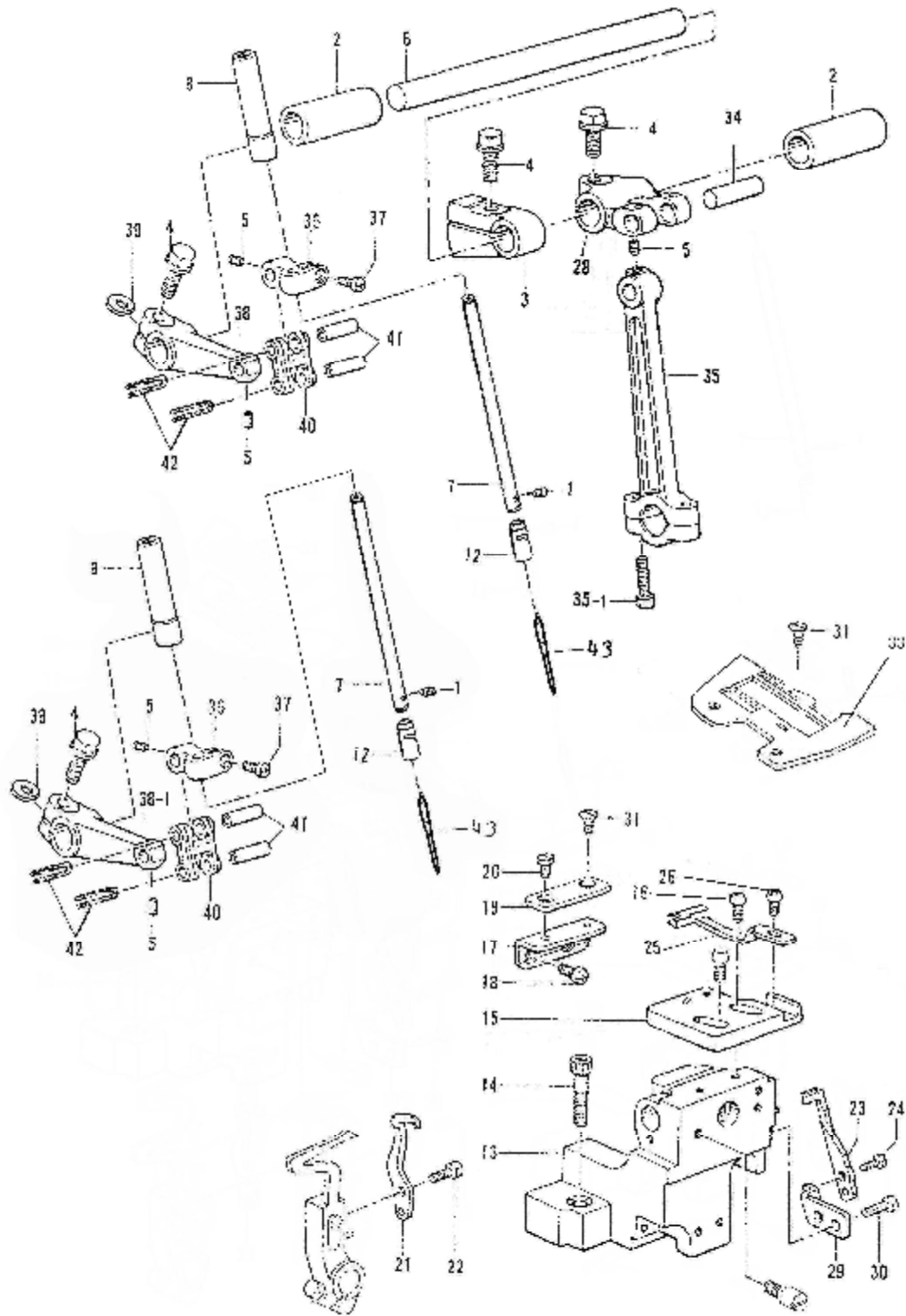
Ref .	Part no.	Description	Ref.	Part no.	Description
72	C20172	Oil stopper plate			
73	C20173	Screw			
74	C20174	Screw seal			
75	C20175	Oil cap			
76	C20176	Oil cap			
77	C20177				
78	C20178				
79	C20179	Oil ring			
80	C20180	Screw			
81					
82					
83	C20183	Oil cap			

B. CRANK SHAFT MECHANISM



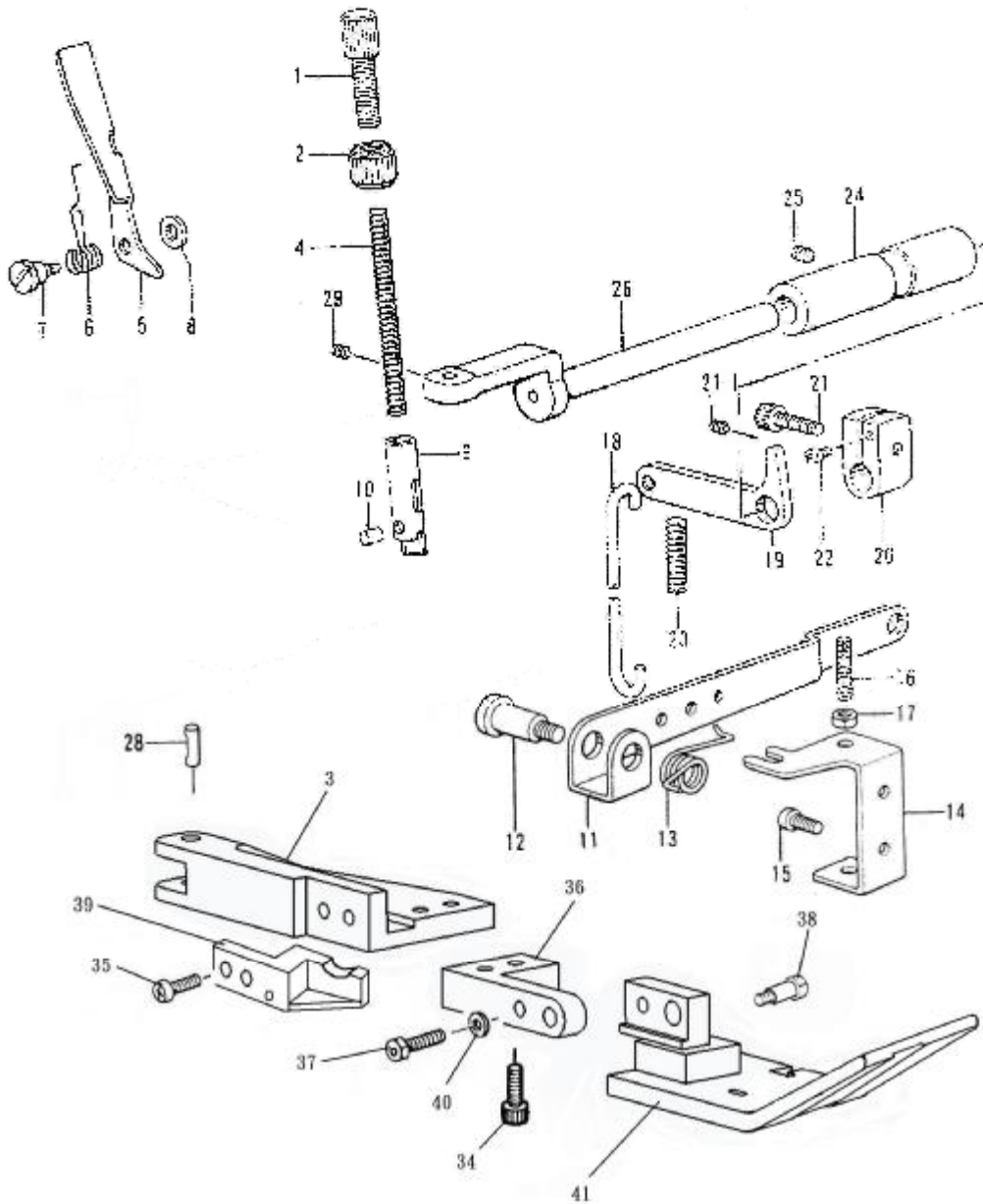
Ref .	Part no.	Description	Ref.	Part no.	Description
1	C20201	Bearing cap			
2					
3	C20203	O ring			
4	C20204	Screw			
5	C20205	Screw			
6					
7	C20207	Ball bearing			
8					
9	C20209	Thread take-up			
10	C20210	Crank shaft bush			
11	C20211				
12	C20212	Handwheel adapter			
12-1	C20212-1	Screw			
13	C20213	Crankshaft			
14	C20214	Stop ring			
15	C20215	Ball bearing			
16	C20216	Bearing			
17	C20217	Stop ring			
18					
19	C20219	O ring			
20	C20220	Bearing presser			
21	C20221	O ring			
22	C20222	Screw			
23					
24	C20224	Pulley			
25	C20225	Set screw			
26	C20226	Washer			
27	C20227	Spring washer			
28	C20228	Bolt			

C. NEEDLE BAR MECHANISM



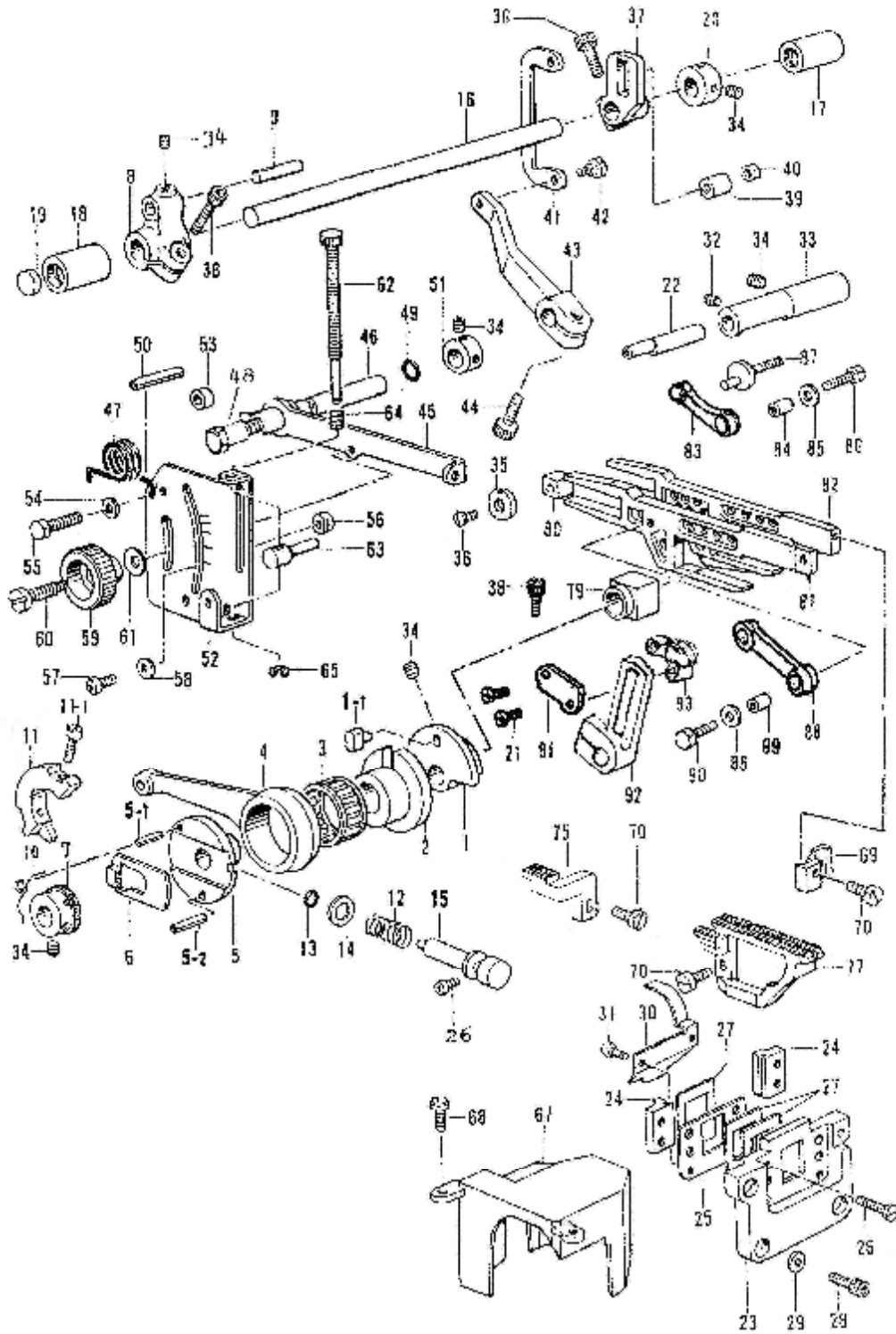
Ref.	Part no.	Description	Ref.	Part no.	Description
1	C20301	Screw	36	C20336	Needle bar clamp
2	C20302	Needle shaft bush	37	C20337	Screw
3	C20303	Needle balance	38	C20338	Needle bar arm right
4	C20304	Bolt	38-1	C20338-1	Needle bar arm left
5	C20305	Set screw	39	C20339	Spacer
6	C20306	Needle shaft	40	C20340	Needle bar link
7	C20307	Needle bar	41	C20341	Needle bar link shaft
8	C20308	Needle bar bush	42	C20342	Felt
9			43	C20343	Needle
10					
11					
12	C20312	Needle bar bush			
13	C20313	Support bracket			
14	C20314	Bolt			
15	C20315	Support plate			
16	C20316	Screw			
17	C20317	Plate support			
18	C20318	Screw			
19	C20319	Support plate			
20	C20320	Screw			
21	C20321	Movable needle guard			
22	C20322	Bolt			
23	C20323	Needle guard			
24					
25	C20325	Needle guard			
26	C20326	Screw			
27					
28	C20328	Needle shaft arm			
29	C20329	Needle guard set plate			
30	C20330	Screw			
31	C20331	Screw			
32					
33	C25333	Needle plate			
34	C20334	Crank rod shaft			
35	C20335	Needle driving crank rod			
35-1	C20335-1	Bolt			

D. PRESSER FOOT MECHANISM



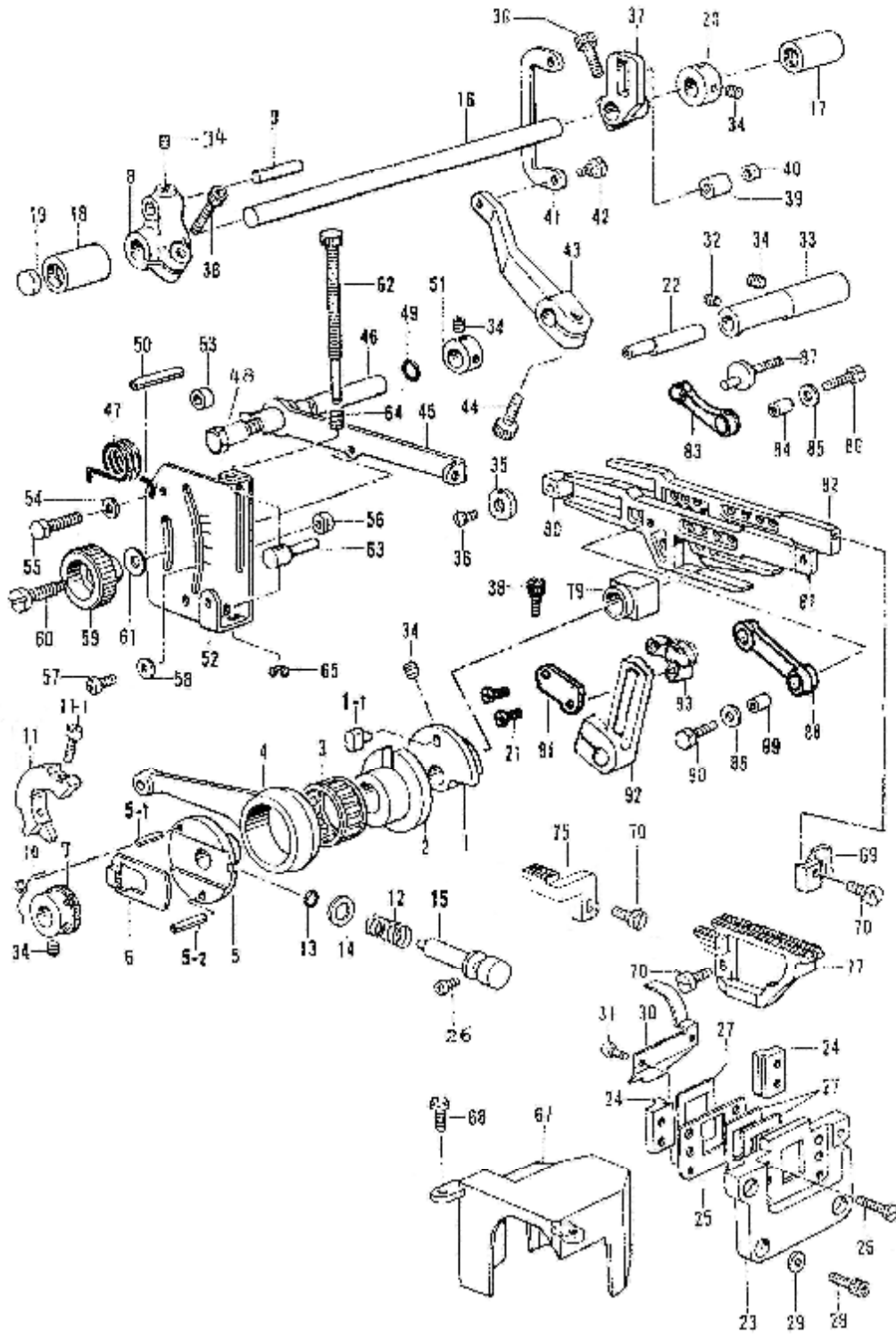
Ref.	Part no.	Description	Ref.	Part no.	Description
1	C20401	Adjust screw	36	C20436	Sub presser arm
2	C20402	Nut	37	C20437	Screw
3	C20403	Main presser arm	38	C20438	Screw
4	C20404	Presser spring	39	C20439	Small presser arm
5	C20405	Presser bar lifter	40	C20440	Washer
6	C20406	Presser bar lifter spring	41	C25441	Presser foot
7	C20407	Stud screw			
8	C20408	Washer			
9	C20409	Presser bar			
10	C20410	Cushion			
11	C20411	Presser foot lifter lever			
12	C20412	Sud screw			
13	C20413	Spring			
14	C20414	Lever adjust plate			
15	C20415	Screw			
16	C20416	Set screw			
17	C20417	Nut			
18	C20418	Presser bar lifter link			
19	C20419	Presser bar lifter lever			
20	C20420	Presser bar lifter arm			
21	C20421	Bolt			
21-1	C20421-1	Screw			
22	C20422	Stopper screw			
23	C20423	Spring			
24	C20424	Presser arm shaft bush			
25	C20425	Set screw			
26	C20426	Presser arm shaft			
27					
28	C20428	Pin			
29	C20429	Set screw			
30	C20430	Presser arm stopper			
31	C20431	Screw			
32	C20432	Trimming knife			
33	C20433	Screw			
34	C20434	Screw			
35	C20435	Screw			

E. FEED MECHANISM



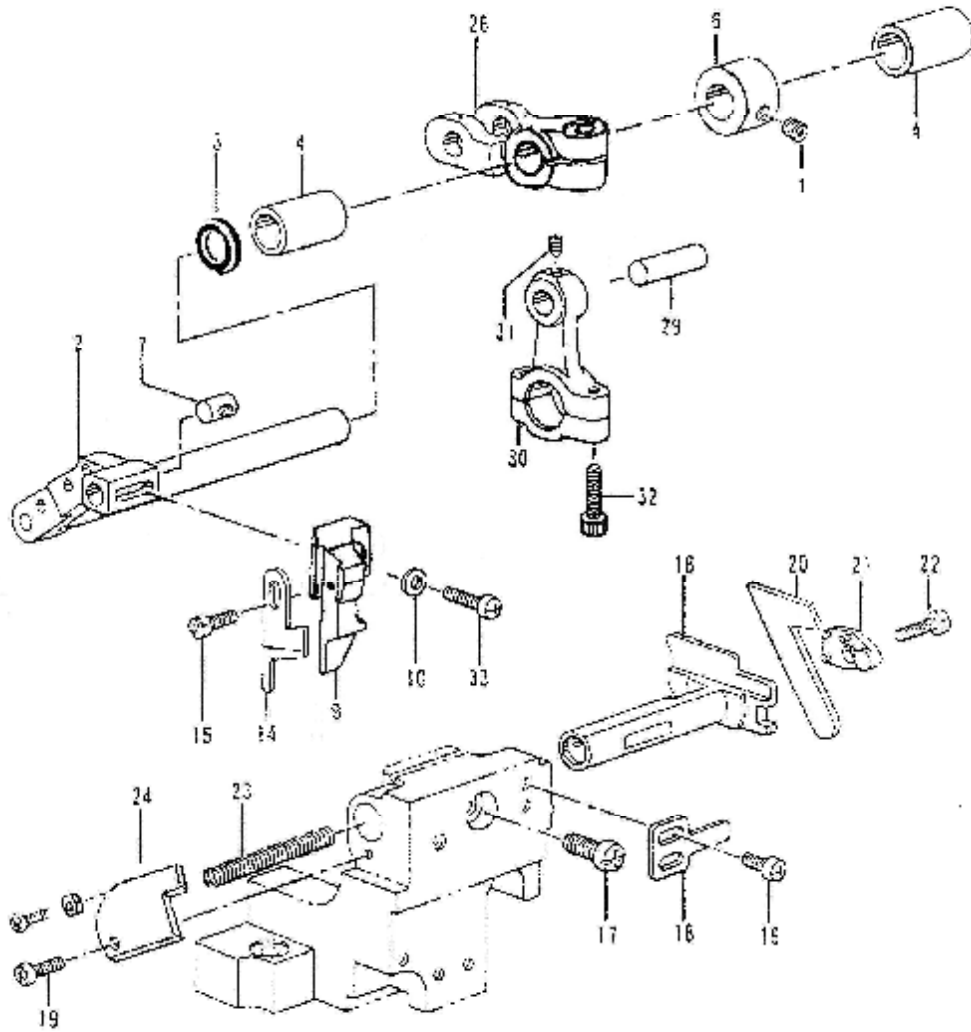
Ref.	Part no.	Description	Ref.	Part no.	Description
1	C20501	Eccentric guide support	33	C20533	Slide block shaft bush
1-1	C20501-1	Stopper guide	34	C20534	Set screw
2	C20502	Feed drive eccentric	35	C20535	Washer
3	C20503	Needle roller bearing	36	C20536	Screw
4	C20504	Feed lift rod	37	C20537	Main feed arm
5	C20505	Adjust eccentric wheel	38	C20538	Bolt
5-1	C20505-1	Spring pin	39	C20539	Bush
5-2	C20505-2	Spring pin	40	C20540	Nu
6	C20506	Ratchet stopper	41	C20541	Dif. feed adjust link
7	C20507	Ratchet	42	C20542	Stud screw
8	C20508	Feed arm	43	C20543	Differential link lever
9	C20509	Feed arm shaft	44	C20544	Bolt
10	C20510	Twist spring	45	C20545	Dif. feed adjust lever
11	C20511	Balance weight	46	C20546	Dif. feed adjust shaft
11-1	C20511-1	Screw	47	C20547	Spring
12	C20512	Spring	48	C20548	Screw
13	C20513	O ring	49	C20549	O ting
14	C20514	Washer	50	C20550	Spring pin
15	C20515	Feed adjust shaft	51	C20551	Set collar
16	C20516	Feed shaft	52	C20552	Dif. stitch control
17	C20517	Bush	53	C20553	Collar
18	C20518	Feed shaft bush	54	C20554	Plain washer
19	C20519	Oil cap	55	C20555	Bolt
20	C20520	Set collar	56	C20556	Stopper
21	C20521	Screw	57	C20557	Screw
22	C20522	Feed bar slide block shaft	58	C20558	Washer
23	C20523	Feed bar guide support	59	C20559	Nut
24	C20524	Feed bar guide	60	C20560	Set screw
25	C20525	Fra. pro. plate support	61	C20561	Spring washer
26	C20526	Screw	62	C20562	Micro adjust screw
27	C20527	Fragment protector plate	63	C20563	Micro adjust stopper
28	C20528	Bolt	64	C20564	Spring
29	C20529	Plain washer	65	C20565	Top ring
30	C20530	Oil rejestor plate	66		
31	C20531	Screw	67	C20567	Eccentric wheel cover
32	C20532	Set screw	68	C20568	screw

E. FEED MECHANISM



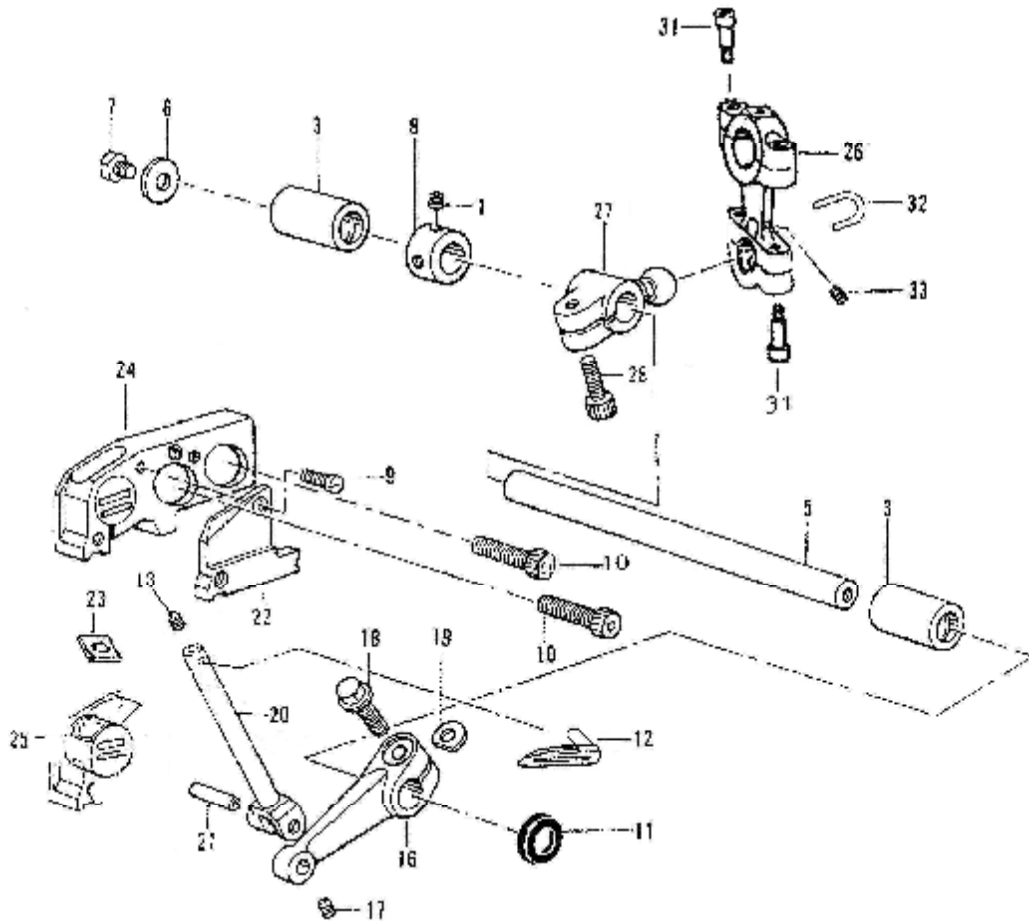
Ref .	Part no.	Description	Ref.	Part no.	Description
69	C20569	Main feed dog set bracket			
70	C20570	Bolt			
71					
72					
73					
74					
75	C25575	Feed dog			
76					
77	C25577	Feed dog			
78					
79	C20579	Feed lifting slide block			
80	C20580	Feed bar slide block			
81	C20581	Differential feed bar			
82	C20582	Main feed bar			
83	C20583	Main feed link			
84	C20584	Link bush			
85	C20585	Washer			
86	C20586	Bolt			
87	C20587	Main feed shaft			
88	C20588	Dif. feed bar connection			
89	C20589	Link bush			
90	C20590	Bolt			
91	C20591	Dif. regulating slider cap			
92	C20592	Differential rocker			
93	C20593	Dif. regulating slider			

F. KNIFE MECHANISM



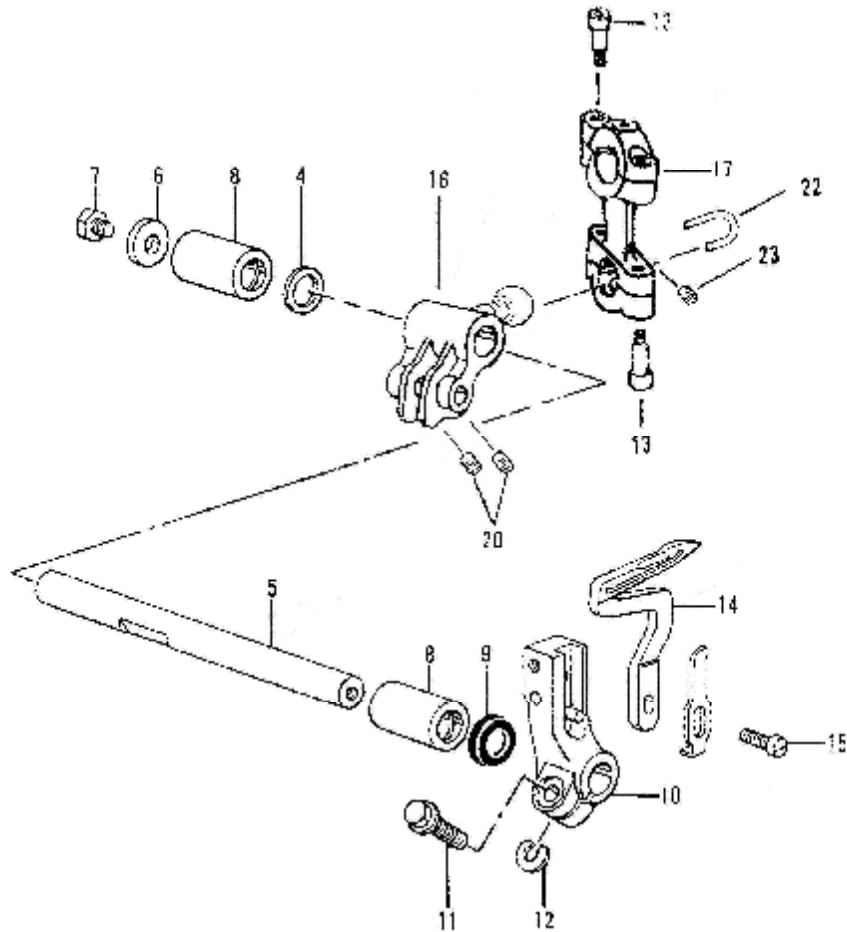
Ref.	Part no.	Description	Ref.	Part no.	Description
1	C20601	Set screw			
2	C20602	Up. Knife Dif. arm			
3	C20603	Dust seal			
4	C20604	Bush			
5					
6	C20606	Set collar			
7	C20607	Nut			
8	C20608	Upper knife holder			
9					
10	C20610	Plain washer			
11					
12					
13					
14	C25614	Upper knife			
15	C20615	Bolt			
16	C20616	Lower knife holder			
17	C20617	Screw			
18	C20618	Lower knife holder guide			
19	C20619	Screw			
20	C25620	Lower knife			
21	C20621	Lower knife presser			
22	C20622	Blot			
23	C20623	Spring			
24	C20624	Spring holder			
25					
26	C20626	Knife driving lever			
27					
28					
29	C20629	Crank arm shaft			
30	C60630	Up. Knife con. Rod			
31	C20631	Set screw			
32	C20632	Bolt			
33	C20633	Screw			

G. UPPER LOOPER MECHANISM



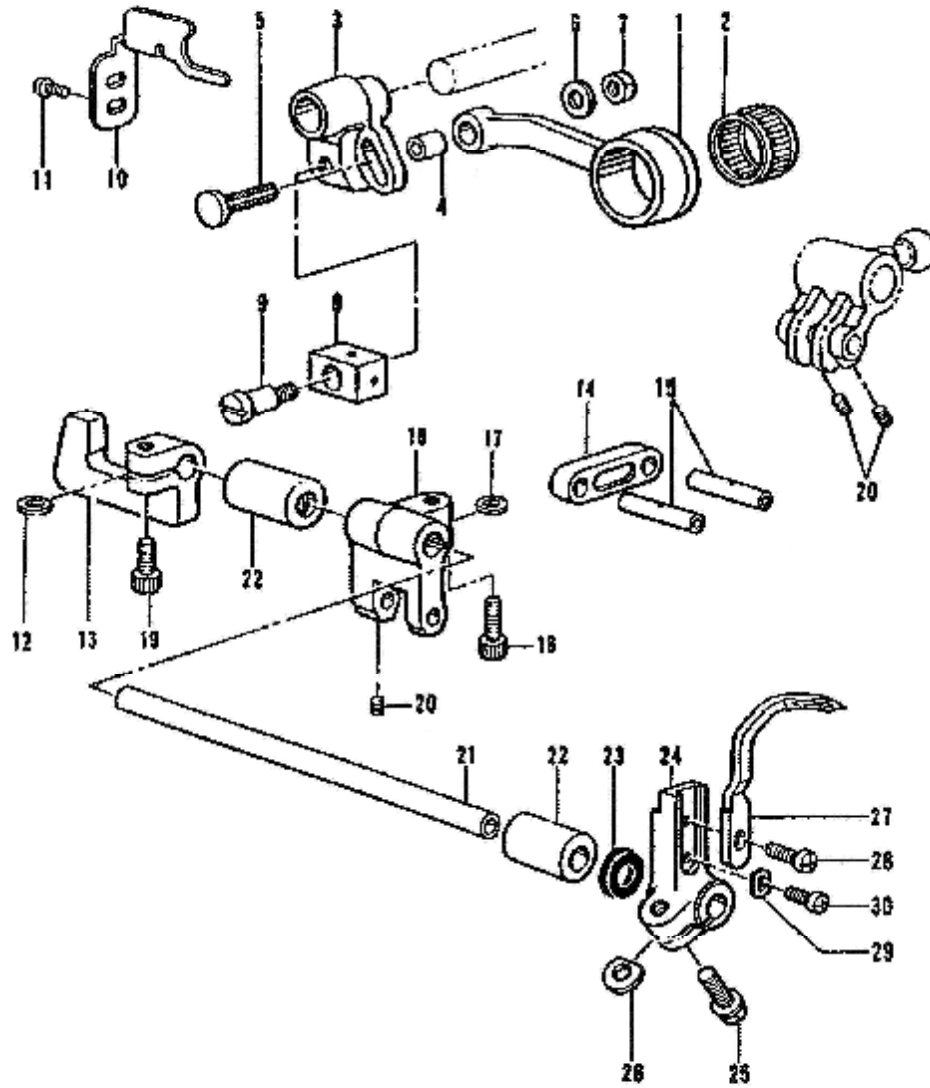
Ref .	Part no.	Description	Ref.	Part no.	Description
1	C20701	Set screw			
2					
3	C20703	Bush			
4					
5	C20705	Cover looper shaft			
6	C20706	Washer			
7	C20707	Bolt			
8	C20708	Set collar			
9	C20709	Screw			
10	C20710	Screw			
11	C20711	Dust sel			
12	C20712	Upper looper			
13	C20713	Screw			
14					
15					
16	C20716	Upper looper arm			
17	C20717	Set screw			
18	C20718	Bolt			
19	C20719	Spacer			
20	C20720	Upper looper shaft			
21	C20721	Up. looper mov. sub shaft			
22	C70722	Up. looper guide holder			
23	C20723	Packing			
24	C20724	Up. looper shaft fix. hold.			
25	C20725	Up. looper shaft mov. hold.			
26	C20726	Upper looper con. rod.			
27	C20727	Shaft arm			
28	C20728	Bolt			
29					
30					
31	C20731	Bolt			
32	C20732	Con. tod fixed hook			
33	C20733	Set screw			

H. LOWER LOOPER MECHANISM



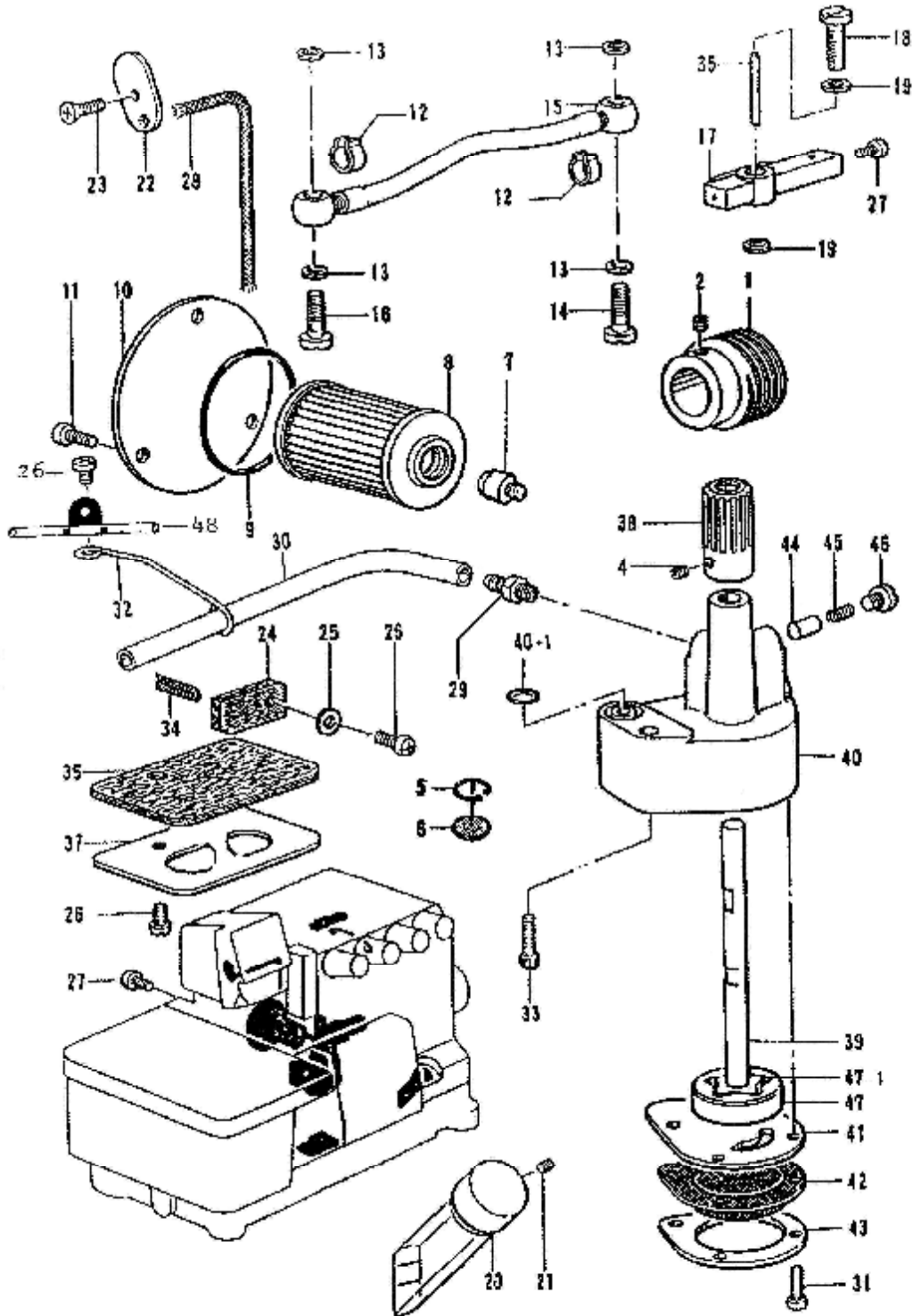
Ref .	Part no.	Description	Ref.	Part no.	Description
1	C20801	Bolt			
2					
3					
4	C20804	Collar			
5	C20805	Lower looper shaft			
6	C20806	Washer			
7	C20807	Bolt			
8	C20808	Bush			
9	C20809	Dust seal			
10	C20810	Lower looper holder			
11	C20811	Bolt			
12	C20812	Spacer			
13	C20813	Bolt			
14	C20814	Lower looper			
15	C20815	Screw			
16	C20816	Lower looper shaft arm			
17	C20817	Lower looper con. rod			
18					
19					
20					
21					
22	C20822	Con. tod fixed hook			
23	C20823	Set screw			

I. DOUBLE CHAIN STITCH LOOPER MECHANISM



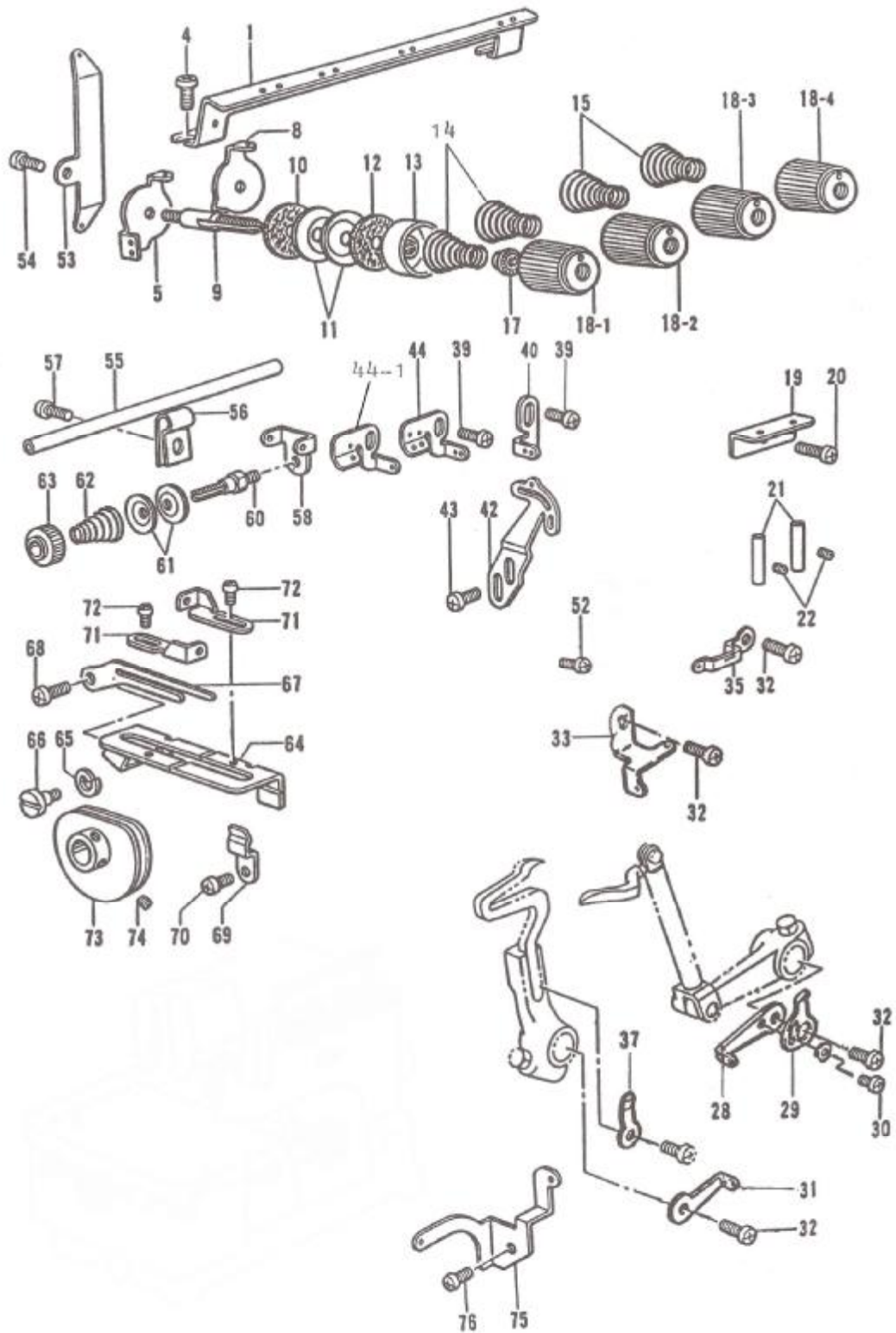
Ref .	Part no.	Description	Ref.	Part no.	Description
1	C20901	Longitudinal feed rod			
2	C20902	Needle roller bearing			
3	C20903	Longitudinal feed arm			
4	C20904	Longitud. feed rod bush			
5	C20905	Longitud. feed arm screw			
6	C20906	Plain washer			
7	C20907	Nut			
8	C20908	Long. feed arm slide block			
9	C20909	Stud screw			
10	C20910	Longitud. feed arm stop.			
11	C20911	Screw			
12	C20912	Spacer			
13	C20913	Slide block clamp			
14	C20914	Chain stitch looper link			
15	C20915	Chain stitch looper shaft			
16	C20916	Chain stitch looper lever			
17	C20917	Spacer			
18	C20918	Bolt			
19	C20919	Bolt			
20	C20920	Set screw			
21	C20921	Longitudinal feed shaft			
22	C20922	Longitud. feed shaft bush			
23	C20923	Dust sel			
24	C20924	Chain stitch looper holder			
25	C20925	Bolt			
26	C20926	Spacer			
27	C20927	Chain stitch looper			
28	C20928	Screw			
29	C20929	Washer			
30	C20930	Screw			

J. LUBRICATION MECHANISM



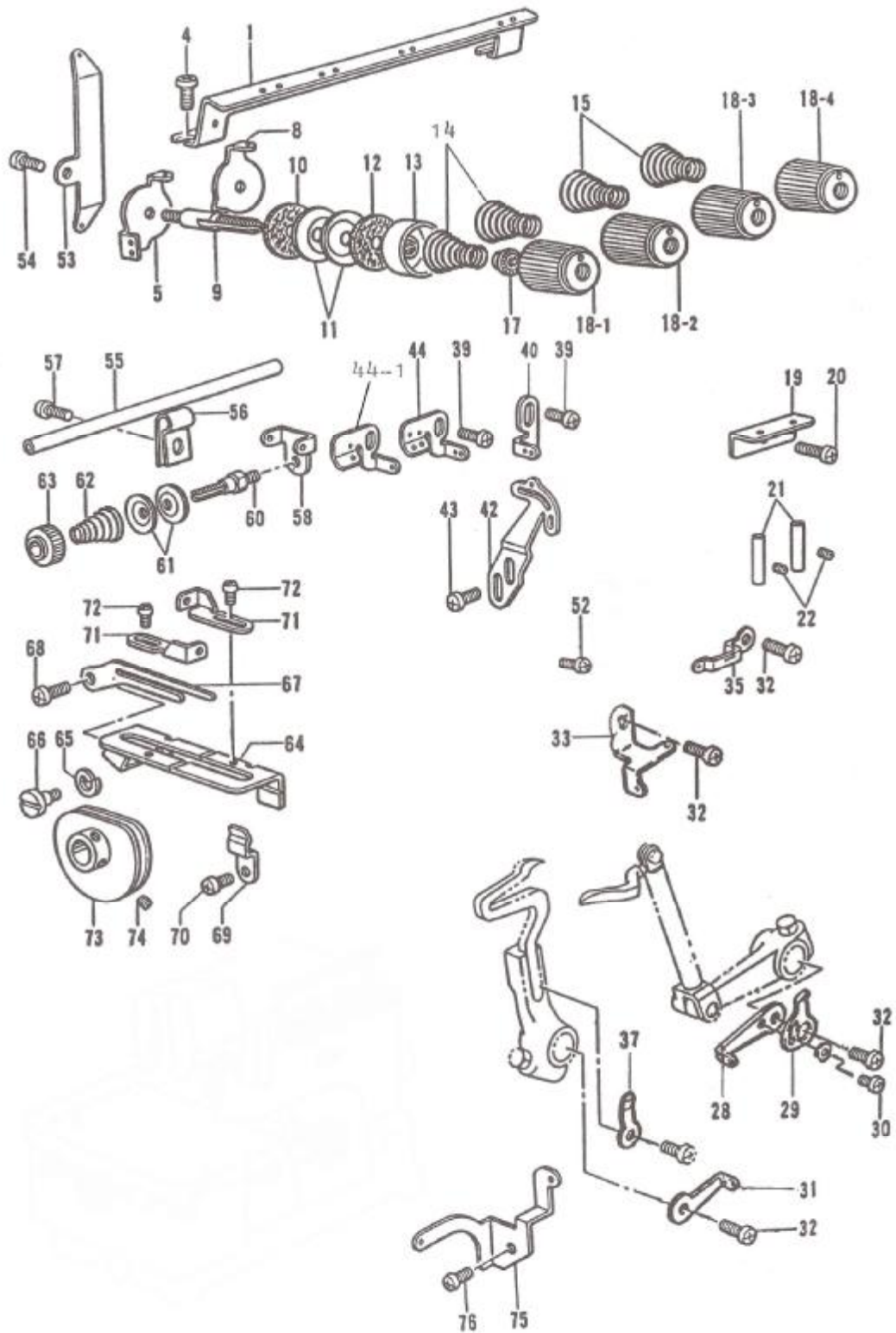
Ref .	Part no.	Description	Ref.	Part no.	Description
1	C21001	Worm	37	C21037	Felt support
2	C21002	Set screw	38	C21038	Worm wheel
3			39	C21039	Pump inner roter
4	C21004	Set screw	40	C21040	Pump case
5	C21005	Oil filter screen clamp	41	C21041	Pump body cover
6	C21006	Oil filter screen	42	C21042	Oil filter
7	C21007	Oil filter connector	43	C21043	Oil filter flange
8	C21008	Oil filter	44	C21044	Plunger
9	C21009	O ting	45	C21045	Plunger spring
10	C21010	Oil filter cap	46	C21046	Screw
11	C21011	Screw	47	C21047	Pump gear
12	C21012	Stop ting	48	C21048	Oil tube
13	C21013	Washer			
14	C21014	Oil pipe joint			
15	C21015	Oil tube			
16	C21016	Oil pipe joint			
17	C21017	Oil pipe			
18	C21018	Oil pioe joint			
19	C21019	Washer			
20	C21020	Oil gauge window			
21	C21021	Set screw			
22	C21022	Needle bar link felt			
23	C21023	Screw			
24	C21024	Felt			
25	C21025	Washer			
26	C21026	Screw			
27	C21027	Screw			
28	C21028	Wick			
29	C21029	Oil feeding pipe			
30	C21030	Oil tube			
31	C21031	Scew			
32	C21032	Tube support			
33	C21033	Bolt			
34	C21034	Wick			
35	C21035	Pin			
36	C21036	Felt			

K. THREAD TENSION MECHANISM



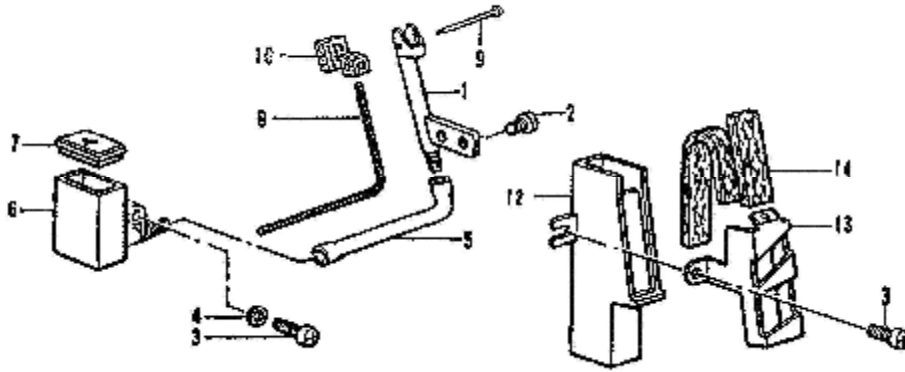
Ref.	Part no.	Description	Ref.	Part no.	Description
1	C21101	Main thread guide	33	C21133	Looper thread guide
2			34		
3			35	C21135	Up. looper tread guide
4	C21104	Screw	36		
5	C21105	Needle guide	37	C21137	Lo. looper thread guide
6			38		
7			39	C21139	Screw
8	C21108	Tension disc thread guide	40	C21140	Needle thread guide
9	C21109	Tension stud	41		
10	C21110	Tension disc felt	42	C21142	Needle thread take-up
11	C21111	Tension disc	43	C21143	Screw
12	C21112	Tension disc felt	44	C21144	Needle thread guide
13	C21113	Tension disc presser	44-1	C21144-1	Needle thread guide
14	C21114	Tension spring	45		
15	C21115	Tension spring	46		
16			47		
17	C21117	Washer	48		
18	C21118	Tension nut	49		
18-1	C21118-1	Tension nut	50		
18-2	C21118-2	Tension nut	51		
18-3	C21118-3	Tension nut	52		
18-4	C21118-4	Tension nut	53	C21153	Looper thread guide
19	C21119	Looper thread guide	54	C21154	Screw
20	C21120	Screw	55	C21155	Thread guide pipe
21	C21121	Tread guide pipe	56	C21156	Thread guide pipe sup.
22	C21122	Set screw	57	C21157	Screw
23			58	C21158	Lower thread guide
24			59		
25			60	C21160	Tension stud
26			61	C21161	Thread uide disc
27			62	C21162	Pre tension spring
28	C21128	Up. looper thread take-up	63	C21163	Tension nut
29	C21129	Lo. looper thread take-up	64	C21164	Thread handler bracket
30	C21130	Screw	65	C21165	Spring washer
31	C21131	Looper thread take-up	66	C21166	Stud screw
32	C21132	Set screw	67	C21167	Thread handler

K. THREAD TENSION MECHANISM

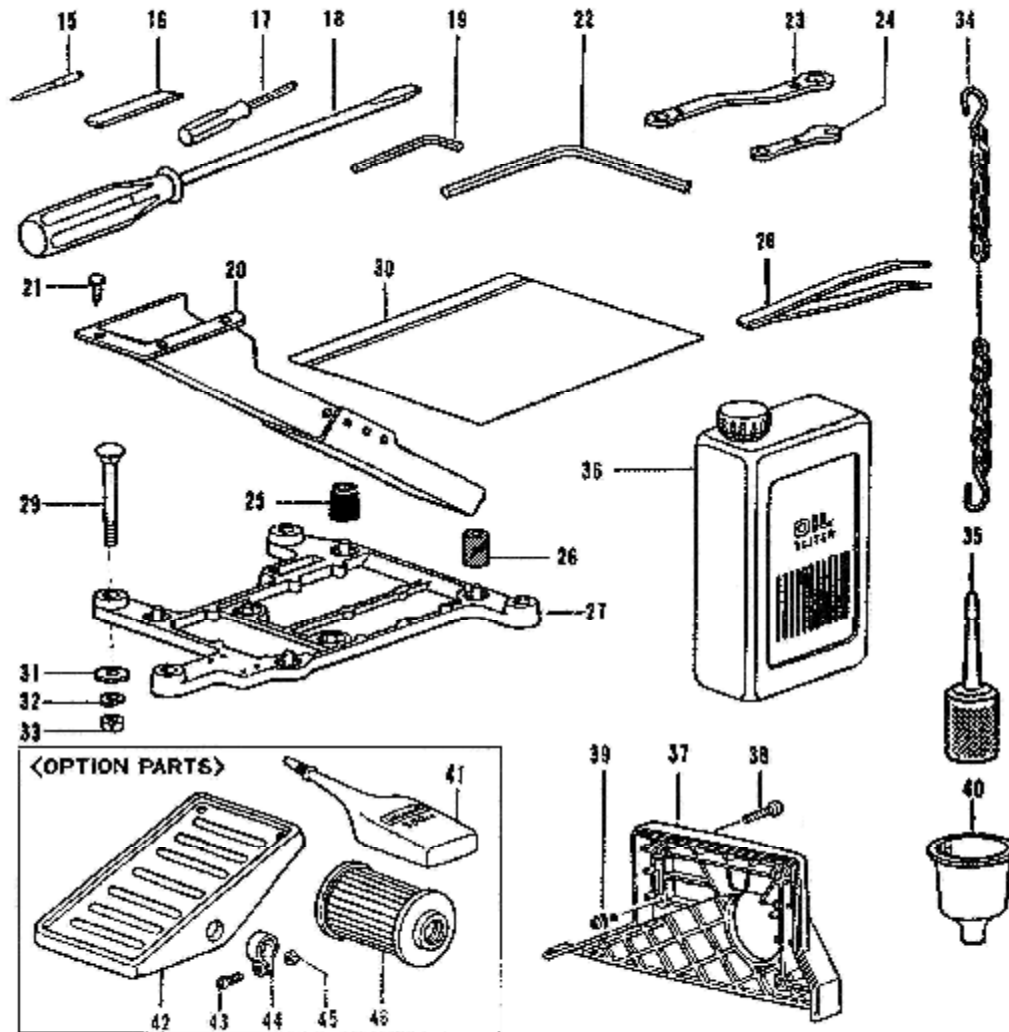


Ref .	Part no.	Description	Ref.	Part no.	Description
68	C21168	Screw			
69	C21169	Spring			
70	C21170	Screw			
71	C21171	Thread take-up guide			
72	C21172	Screw			
73	C21173	Thread take-up assembly			
74	C21174	Set screw			
75	C21175	Chain stitch thread guide			
76	C21176	screw			

L. NEEDLE COOLER MECHANISM

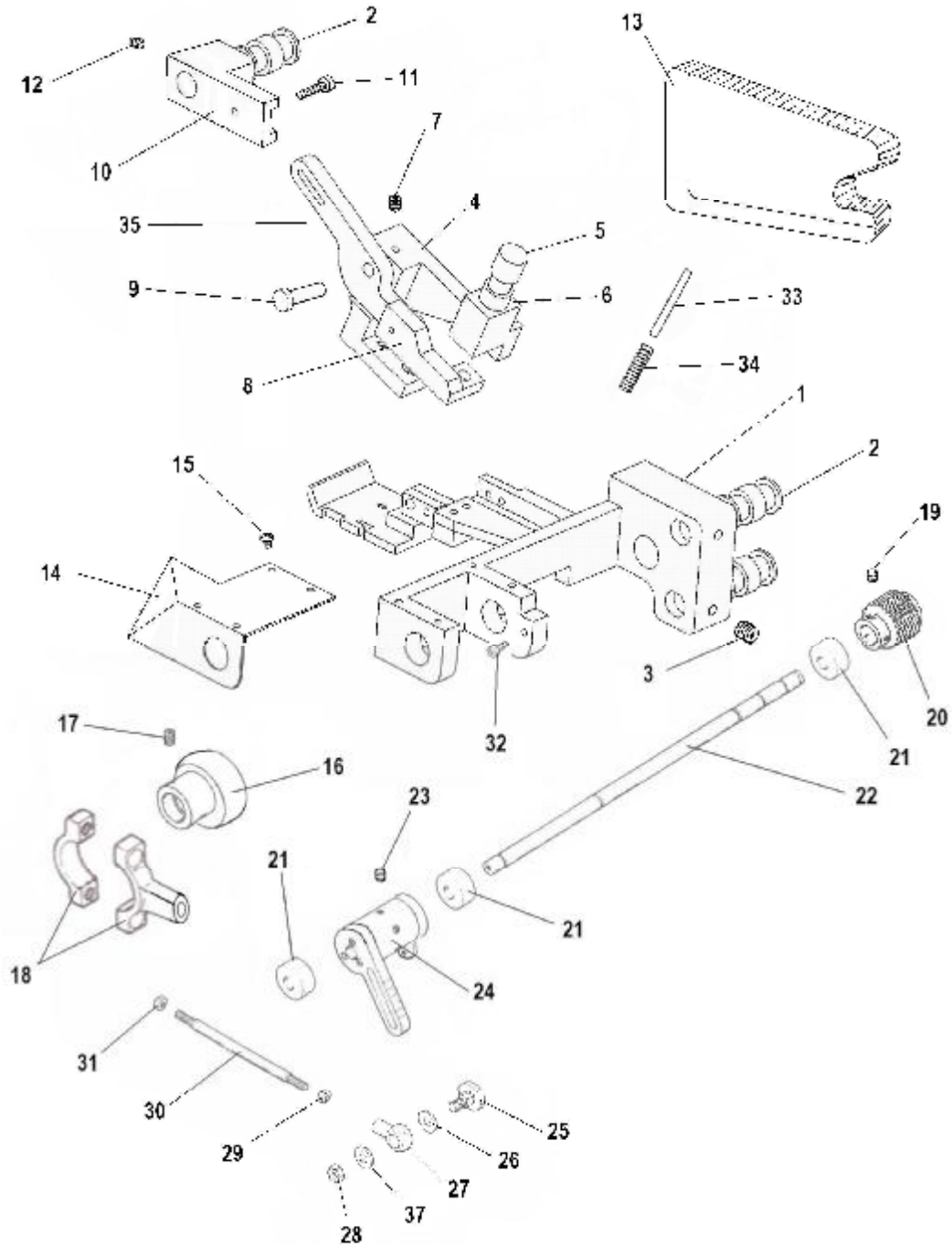


附屬品/Accessories/Zubehör/
Accesorios/Accessorios



Ref .	Part no.	Description	Ref.	Part no.	Description
1	C21201	Felt support	37	C21237	Belt cover
2	C21202	Screw	38	C21238	Screw
3	C21203	Screw	39	C21239	Oil cap
4	C21204	Plain washer	40	C21240	Funnel
5	C21205	Vinyl tube	41	C21241	Silicone oil
6	C21206	Silicone tank	42	C21242	Treadle pedal
7	C21207	Silicone tank cap	43	C21243	Screw
8	C21208	Wick	44	C21244	Pedal stopper
9	C21209	Pin	45	C21245	Nut
10	C21210	Felt	46	C21246	Oil filter
11					
12	C21212	Silicone tank			
13	C21213	Felt support plate			
14	C21214	Felt			
15	C21215	Needle			
16	C21216	Lower knife			
17	C21217	Screw driver			
18	C21218	Screw driver			
19	C21219	Hexagonal wrench			
20	C21220	Duster shoot assembly			
21	C21221	Screw			
22	C21222	Hexagonal wrench			
23	C21223	Wrench			
24	C21224	Spanner			
25	C21225	Rubber cushion			
26	C21226	Rubber cushion			
27	C21227	Head plate			
28	C21228	Pincette			
29	C21229	Bolt			
30	C21230	Accessory bag			
31	C21231	Washer			
32	C21232	Spring washer			
33	C21233	Nut			
34	C21234	Chain assembly			
35	C21235	Poly oiler assembly			
36	C21236	Oil tank			

M. TOP BELT FEED MECHANISM



Ref .	Part no.	Description	Ref.	Part no.	Description
1	C21301	Belt feed bracket	36	C21336	Washer
2	C21302	Belt feed roller-2000	37	C21337	Spring washer
	C21302-5	Belt feed roller-2050			
3	C21303	Screw			
4	C21304	Belt adjust bracket			
5	C21305	Adjust screw			
6	C21306	Nut			
7	C21307	Screw			
8	C21308	Belt feed roller bracket			
9	C21309	Stud			
10	C21310	Belt feed roller bracket			
11	C21311	Screw			
12	C21312	Screw			
13	C21313	Belt feed			
14	C21314	Belt feed bracket cover			
15	C21315	Screw			
16	C21316	Feed belt drive eccentric			
17	C21317	Screw			
18	C21318	Driving crank rod			
19	C21319	Screw			
20	C21320	Belt feed gear			
21	C21321	Bearing			
22	C21322	Feed belt shaft			
23	C21323	Screw			
24	C21324	Clutch assembly			
25	C21325	Stud screw			
26	C21326	Washer			
27	C21327	Ball stud			
28	C21328	Nut			
29	C21329	Nut			
30	C21330	Screw stud			
31	C21331	Nut			
32	C21332	Screw			
33	C21333	Pin			
34	C21334	Spring			
35	C21335	Balance level			