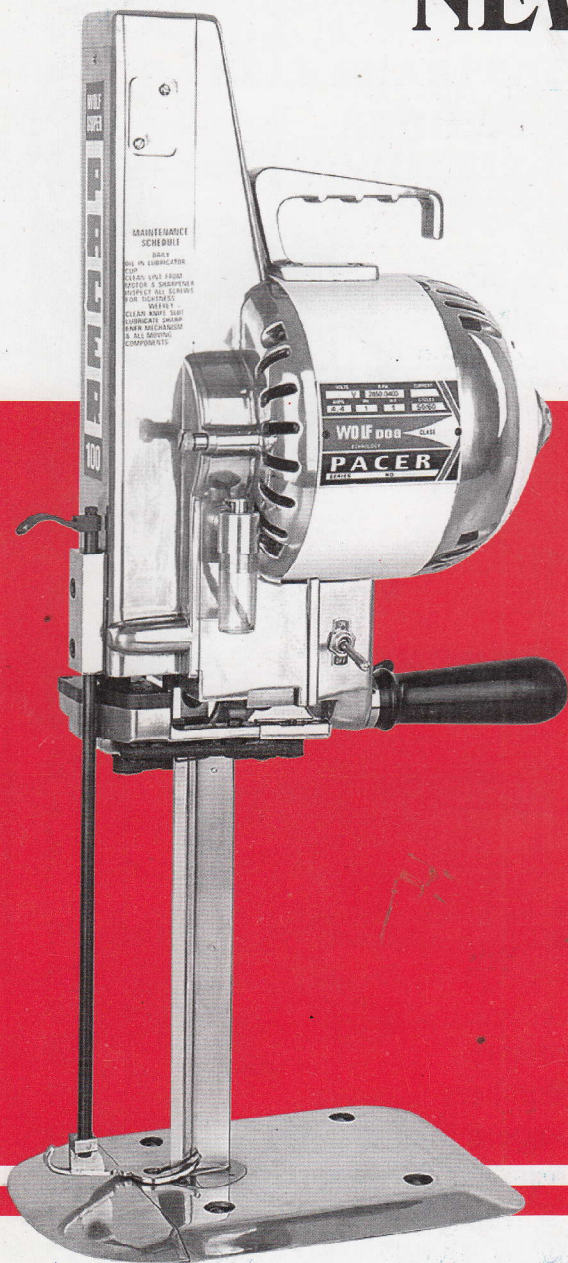


PARTS AND SERVICE MANUAL

NEW PACER 100

Sharpener Series
VI, VII, VIII, X & XI



PACER PARTS ILLUSTRATIONS

THIS PARTS MANUAL HAS BEEN DIVIDED INTO THE MAJOR ASSEMBLIES SHOWN BELOW. INDIVIDUAL PARTS AND THEIR NUMBERS TO THESE ASSEMBLIES CAN BE FOUND BY TURNING TO THE PAGES INDICATED BELOW EACH ASSEMBLY.

SERIES VI & VII STONE SHARPENER

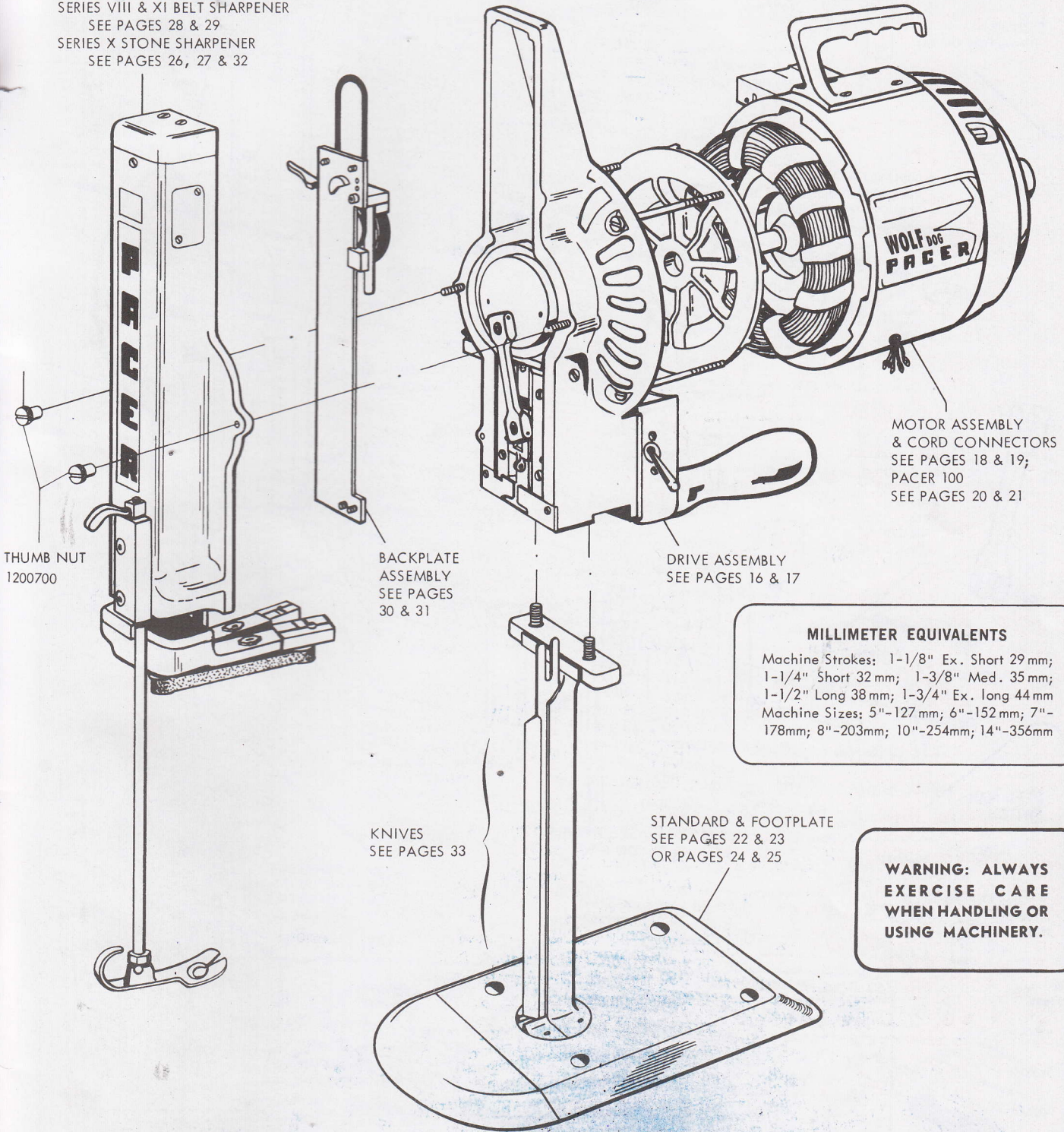
SEE PAGES 26 & 27

SERIES VIII & XI BELT SHARPENER

SEE PAGES 28 & 29

SERIES X STONE SHARPENER

SEE PAGES 26, 27 & 32



THUMB NUT
1200700

BACKPLATE
ASSEMBLY
SEE PAGES
30 & 31

DRIVE ASSEMBLY
SEE PAGES 16 & 17

MOTOR ASSEMBLY
& CORD CONNECTORS
SEE PAGES 18 & 19;
PACER 100
SEE PAGES 20 & 21

MILLIMETER EQUIVALENTS

Machine Strokes: 1-1/8" Ex. Short 29 mm;
1-1/4" Short 32 mm; 1-3/8" Med. 35 mm;
1-1/2" Long 38 mm; 1-3/4" Ex. long 44 mm
Machine Sizes: 5"-127 mm; 6"-152 mm; 7"-
178 mm; 8"-203 mm; 10"-254 mm; 14"-356 mm

KNIVES
SEE PAGES 33

STANDARD & FOOTPLATE
SEE PAGES 22 & 23
OR PAGES 24 & 25

**WARNING: ALWAYS
EXERCISE CARE
WHEN HANDLING OR
USING MACHINERY.**

NOTE: WHEN ORDERING PARTS — SPECIFY PART NUMBER, DESCRIPTION, MACHINE SIZE, MACHINE SERIAL NUMBER AND PARTS MANUAL EDITION.

DRIVE ASSEMBLY

- * 1031959 (Heavy Duty Guides)
- * 1032059 (Heavy Duty Guides)

- 1382153
- 1382179 (Graphite Guides)
- 1382178 (Graphite Guides)
- 1382175 (Graphite Guides)

- * 1032400 (Heavy Duty Guides)
- * 1032500 (Heavy Duty Guides)
Inserts through front head, in place of 9901716

- * 1032650 (Heavy Duty Guides)
- 1382152 (Graphite Guides)

- 1202600 (14" after 1/89)
- 1202800 (10"-14")
- 9900818 (10"-14")

- 1202400 (10" after 1/89)

- 1020000 (5"-8")
- 1020200 (10" before 1/89)
- 1021100 (14" before 1/89)
- 1020300 (10"-14" after 1/89)

- Pacer 100
- 1372300 (Super, 2 Speed & Jeans Mach.)
- 1372400 (Jr.)
- Old Style
- 3003100 (Jr.)
- 3003600 (Super, 2 Speed & Jeans Mach.)

- 1050200 (1-1/4" Stroke)
- 1050000 (1-3/8" Stroke)
- 1050100 (1-1/2" Stroke)
- 1050600 (1-3/4" Stroke)

- 1057093

- 1050400
- 1059093
- 1053000
- 1053000

- 1371400

- 9901863

- 1052060 - 1-3/8", 1-1/2", 1-3/4"
- 1052160 - 1-1/4"

- * 1061060 (Heavy Duty Guides)
- 1384370 (Graphite Guides)

- 1030000
- 9901932
- 9900119

- 1062200
- 1062300

- 9900165
- 9901716

- 9900824
- 9901984

- 1051193
- 1051300
- 1063052 (Complete)

- 1079000

SEE KNIVES ON PAGE 33

- 9900824
- 9901984
- 1079000

- 1064050

- 1020400
- 1031100
- 9900341

- 1051000
- 1051293

- 1029760
- 9900337

DEAD-MAN SWITCH

- 1027350
- 6048600
- 9900040
- 9901951
- 9901671
- 6047660
- 6048500
- 1028093
- 1028193
- 1026700

- 1026560
- 1026660

- 9900616
- 9900359
- 1026400
- 9900624
- 9901718
- 1027200
- 6045100
- 1026200
- 1026100

- 1069010

- 1027093 (Reg.)
- 1027193 (2 Speed)
- 1026900 (42 Volt)

- 1080000
- 1076500

- 1076050

- 9900088

- 9900613
- 9900625

- 1026000

NOT SHOWN

- Bushing (2 Speed) 1027600
- Washer (2 Speed) 1086400
- Switch Lever Stop (2 Speed) 1027500

NUMBERS FOR DRIVE ASSEMBLY

IN NUMERICAL ORDER

Part No.	Description	Quantity used if more than 1	Part No.	Description	Quantity used if more than 1
1020000	Front Head 5"-8"		1063052	Crosshead Assy Complete	
1020200	Front Head 10" (Pacers before 1/89)		1063293	Pin	
1020300	Front Head 10"-14" (Pacers after 1/89)		1064050	Knife Bolt & Washer	
1020400	Locating Pin		1069010	Handle - Dead-Man Switch	
1021100	Front Head 14" (Pacers before 1/89)		1076050	Presser Foot Lever	
1026000	Switch Box - Super		1076500	Lever Return Spring	
1026100	Switch Box		1076600	Pivot Pin	
1026200	Pivot Pin		1079000	Footlock Push Rod	
1026300	Heat Shield		1080000	Push Rod Bushing	
1026400	Trigger		1086400	Washer	
1026560	Dead-Man Switch Complete - Reg. & Jr.		1202400	Upper Cover 10" (Pacers after 1/89)	
1026660	Dead-Man Switch Complete - Dual		1202600	Upper Cover 14" (Pacers after 1/89)	
1026700	Adaptor Plate		1202800	Joint Tab 10"-14" (Pacers after 1/89)	2
1026900	Switch - 42 Volt		1371400	Snap Ring	
1027093	Switch - Super		1372300	Motor Bolt (Pacer 100)	
1027193	Switch - 2 Speed			Super, 2 Speed & Jeans Machine	4
1027200	Switch Mounting Bracket		1372400	Motor Bolt (Pacer 100) - Jr	4
1027350	Switch Assy. Complete		1382152	Distributor Tube Assy. for Regular Guides	
1027500	Switch Lever Stop - 2 Speed (not shown)		1382153	Lubricator S.A.	
1027600	Bushing - 2 Speed (not shown)		1382175	Oiler Mounting Tube	
1028093	Override Switch - Reg. & Jr.		1382178	Lubricator Mounting Bracket	
1028193	Override Switch - Dual only		1382179	Oil Hole Cover - Regular Guides	
1029760	Drip Pan		1384300	Oil Pad	
1030000	Oil Shield		1384370	Fixed Guide (Graphite)	
1031100	Drip Pad Felt		1386060	Handle w/Stud	
* 1031959	Oiler Complete (Heavy Duty Guides)		3003100	Motor Bolt (Old Style) - Jr.	4
* 1032059	Oiler Body S.A. (Heavy Duty Guides)		3003600	Motor Bolt (Old Style) - Super, 2 Speed & Jeans Machine	4
* 1032400	Mounting Collar (Heavy Duty Guides)			Thin Nut	
* 1032500	Mounting Tube (Heavy Duty Guides)		6045100	Switch Bracket & Spring	
* 1032650	Distributor Tube Assy for Heavy Duty Guides		6047660	Insulator	2
1032893	Pipe Cleaner		6048500	Switch	2
1032900	Distributor Wick		6048600	Screw	2
1050000	Crank 1-3/8"		9900040	Switch Screw	2
1050100	Crank 1-1/2"		9900088	Screw for Oil Shield	2
1050200	Crank 1-1/4"		9900119	Lubricator Tube Screw	2
1050300	Crank Wrist Pin		9900165	Drip Pan Screw	4
1050400	Wrist Pin Screw		9900337	Screw For Drip Pad	
1050600	Crank 1-3/4"		9900341	Flat Head Screw for 1056100	3
1051000	Crosshead Wrist Pin		9900357	Screw for 1027200	2
1051193	Retaining Ring		9900613	Switch Box Screw	2
1051293	Wavy Washer		9900616	Switch Box Screw 7/8" (22.22mm)	2
1051300	Fibre Washer		9900624	Switch Box Screw 2-1/2" (63.49mm)	2
1052060	Connecting Rod w/screws 1-3/8", 1-1/2" 1-3/4" Strokes		9900625	Switch Box Screw	2
1052160	Connecting Rod w/screws 1-1/4" Stroke		9900818	Pan Head Screw 10"-14" (Pacers after 1/89)	4
1053000	Bearing Locknut		9900824	Screw for Guides	4
1056100	Bearing Retainer - Not Shown		9901671	Nut	2
1057093	Front Head Bearing		9901716	Half Nut 1/4"-28	
1059093	Crank Bearing		9901718	Half Nut 3/8"-24	
* 1061060	Heavy Duty Guide S.A.	2	9901797	Set Screw	2
1062200	Locknut	2	9901863	Stud	2
1062300	Set Screw	2	9901932	Lock Washer	2
1063000	Crosshead		9901951	Lock Washer	4
			9901984	Washer	

HEAVY DUTY GUIDE CHANGEOVER KIT

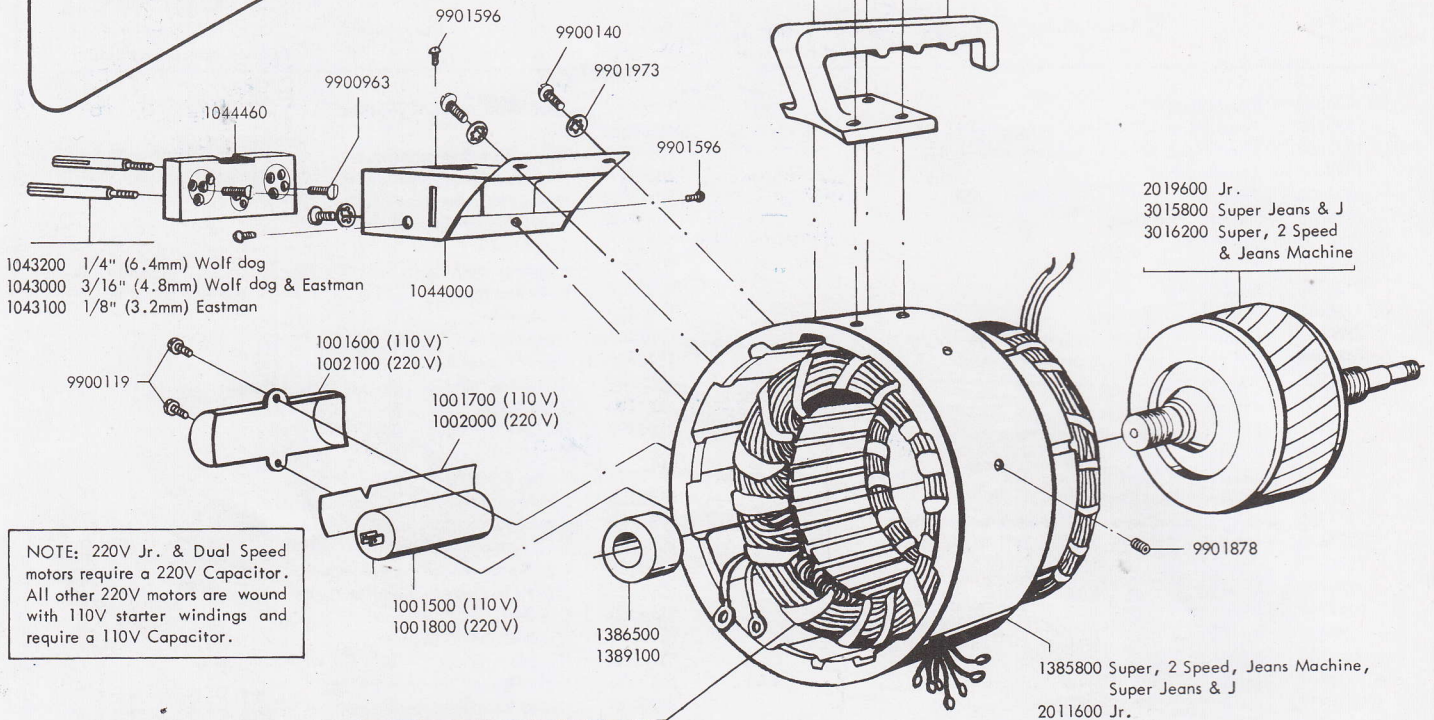
* **HEAVY DUTY GUIDES** - Wolf is now offering heavy duty guides to those who would like them. These guides, unlike the graphite guides, do require lubrication and consequently a different lubricator and distributor tube are needed. Below are the part numbers for parts necessary for changing to these new heavy duty guides:

#1390150 Heavy Duty Guide Kit Complete

1031959 Guide Oiler Complete # 1061060 Heavy Duty Guide S.A.
1032650 Distributor Tube S.A. # 1386400 Guide Wick (2 Req'd)

MILLIMETER EQUIVALENTS | Machine Strokes: 1-1/8" Ex. Short 29 mm; 1-1/4" Short 32 mm; 1-3/8" Med. 35 mm; 1-1/2" Long 38 mm; 1-3/4" Ex. Long 44 mm
Machine Sizes: 5" - 127 mm; 6" - 152 mm; 7" - 178 mm; 8" - 203 mm; 10" - 254 mm; 14" - 356 mm

MOTOR AND CONNECTOR BOX ASSEMBLIES

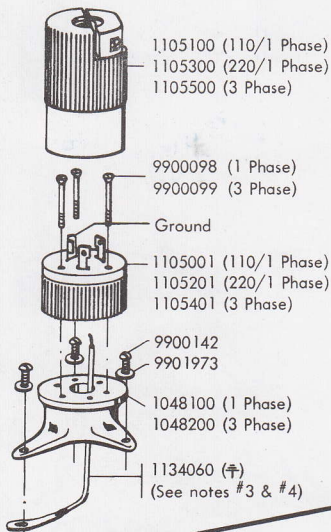


NOTE: 220V Jr. & Dual Speed motors require a 220V Capacitor. All other 220V motors are wound with 110V starter windings and require a 110V Capacitor.

DESCRIPTION	PART NO.	VOLTAGE	
SUPER & JEANS MACHINE STATOR	3011001	110/1/60	
	3011002	110/1/50	
	3011003	100/1/60	
	3011004	220/1/50	
	3011005	220/1/60	
	3011016	220/3/60	
	3011017	440/3/60	
	3011022	440/3/50	
	3011026	380/3/50	
	3011035	220/3/50	
	3011038	100/1/50	
	2 SPEED STATOR	1011201	110/1/60
		1011202	110/1/50
1011203		100/1/60	
1011204		220/1/50	
1011205		220/1/60	
1011216		220/3/60	
1011217		440/3/60	
1011222		440/3/50	
1011226		380/3/50	
1011235		220/3/50	
1011238		100/1/50	
JR. STATOR		2011101	110/1/60
		2011102	110/1/50
	2011103	100/1/60	
	2011104	220/1/50	
	2011105	220/1/50	
	2011116	220/3/60	
	2011117	440/3/60	
	2011122	440/3/50	
	2011126	380/3/50	
	2011135	220/3/50	
2011138	100/1/50		
SUPER SERIES J STATOR	3011111	220-380/3/50-60	
FOR ANY OTHER VOLTAGE PLEASE SPECIFY			

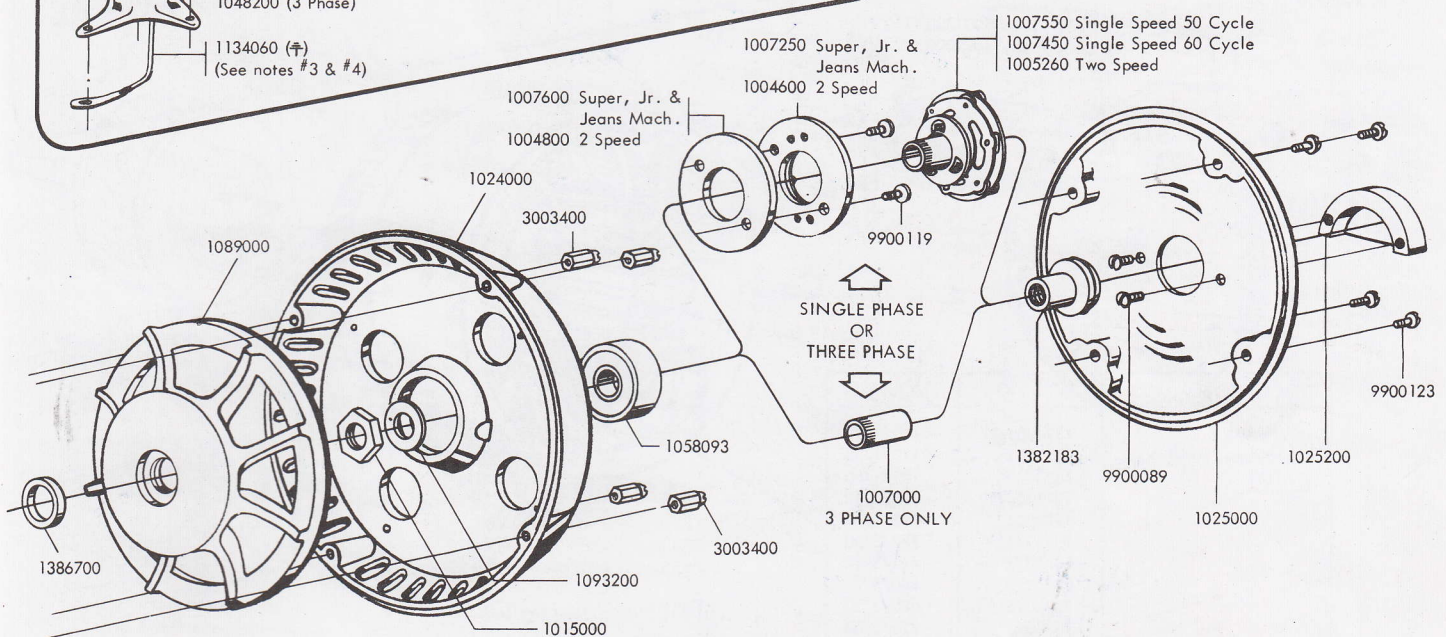
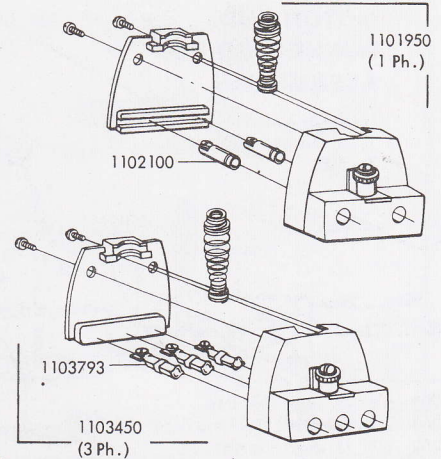
Part No.	Description	Quantity used if more than 1
1001500	110V Capacitor-Super/Jeans Mach., all voltages-1 Ph. Jr./Dual, 110V - 1 Ph.	
1001600	110V Capacitor Cover	
1001700	110V Capacitor Insulator	
1001800	220V Capacitor - Jr., Dual 220V only - 1 Ph.	
1002000	220V Capacitor Insulator	
1002100	220V Capacitor Cover	
1043000	3/16" (4.8mm) Connection Post-Wolf 3 Ph. & Eastman	3
1043100	1/8" (3.2mm) Connection Post - Eastman	as required
1043200	1/4" (6.4mm) Connection Post - Wolf 1 Phase	2
1043500	Ground Strap (not shown)	
1043900	Ground Center Post 1/4" Wolf only (not shown)	
1044000	Connection Box	
1044460	Connection Block Assy.	
1382198	Top Handle	
1385800	Motor Case - Super, 2 Speed, Jeans Machine, Super Jeans & J	
1386300	Front Fan (not shown)	
1386500	Front Fan Spacer (not shown)	
1389100	Front Spacer	
2011600	Motor Case Jr.	
2019600	Rotor - Jr.	
3015800	Rotor - Super Jeans, Super Series J	
3016200	Rotor - Super, 2 Speed & Jeans Machine	
9900119	Screw for Cap. Cover	2
9900140	Screw for Conn. Box	3
9900337	Terminal Board Mounting Plate Screw - Jr. (3 Phase only) (not shown)	
9900589	Screw for Top Handle	4
9900963	Conn. Block Screw	2 or 3
9901596	Screw to secure Block	3
9901878	1/4-20 x 1/4 Soc. Hd. Set Scr.	2
9901973	Washer	3

INSTALLATION OF THE TWIST-LOCK TYPE ELECTRICAL CONNECTOR



1. Disconnect electrical connector.
2. Remove old type connection box. Pull out terminal block by removing the 3 screws on outside of connection box. Disconnect wires on the back of the block.
3. If the new male plug is mounted on the Twist-Lock base, remove it. Bring lead wires thru new base being installed. Before base is secured to motor case, the Green Ground wire #1134060 must be properly attached. Note: Place ground between base and motor case, attaching it with any one of the screws, leading the other end up thru base.
4. Connect leads and ground wires to male plug. Make certain ground wire is connected to right angle shaped terminal pin. NOTE: Be sure three phase machines rotate in same direction as arrow stamped on rear motor case. To check, make flash contact with switch turned on. If rotation is incorrect, reverse by changing the lead wires on the male plug. Motor must rotate in proper direction or severe damage will result.

CORD CONNECTORS

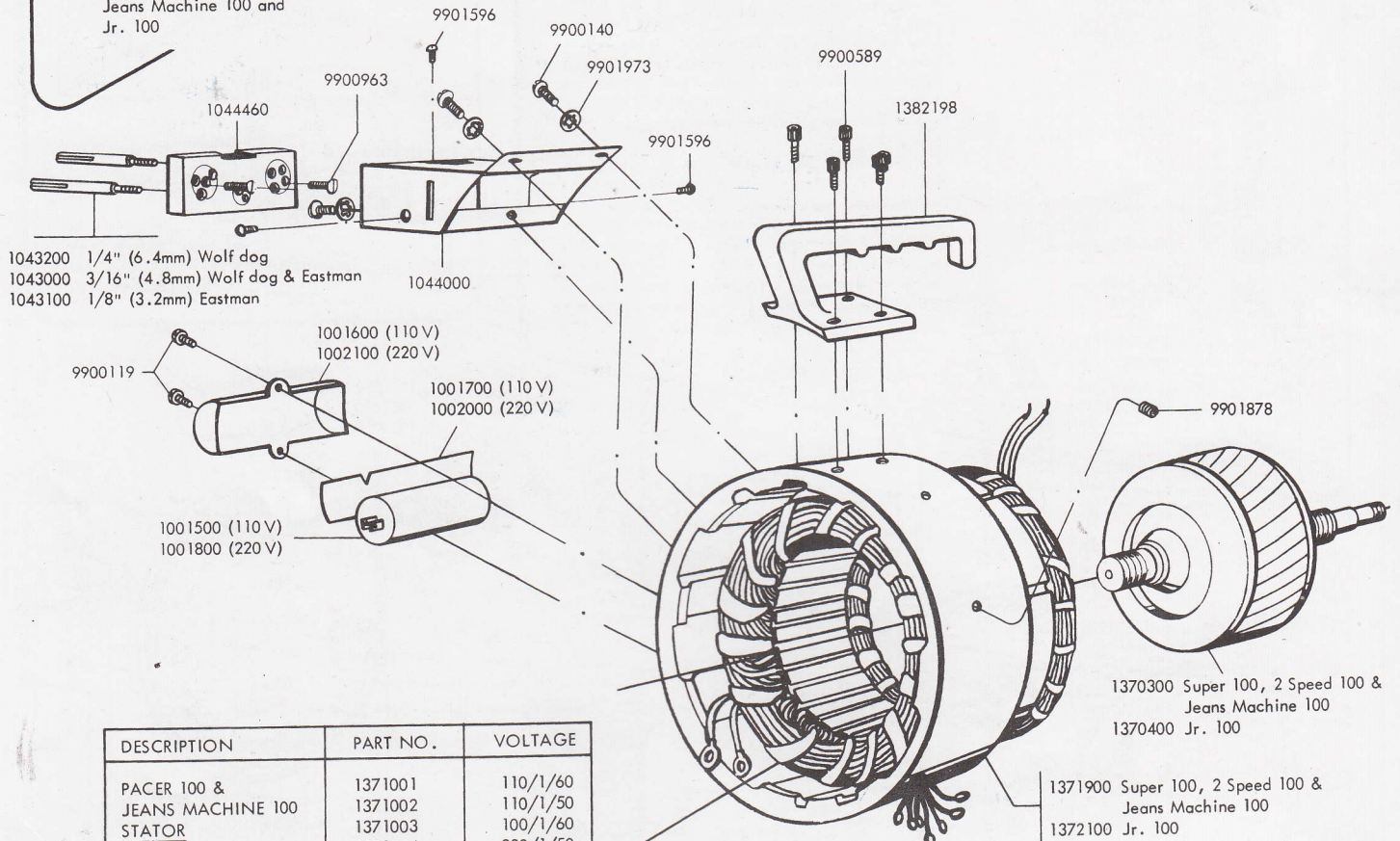


MOTOR AND CORD CONNECTOR NUMBERS - IN NUMERICAL ORDER

Part No.	Description	Quantity used if more than 1	Part No.	Description	Quantity used if more than 1
1004600	Inner Breaker - 2 Speed - Single Phase		1103450	3 Phase Connection	
1004800	Insulator - 2 Speed - Single Phase		1103793	3 Phase Brass Insert	3
1005260	Outer Breaker - 2 Speed - Single Phase		1105001	110/1 Phase Twist-Lock Male Plug	
1007000	Three Phase Spacer		1105201	220/1 Phase Twist-Lock Female Plug	
1007250	Inner Breaker - Super, Jr. & Jeans Mach. - Single Phase		1105300	220/1 Phase Twist-Lock Female Plug	
1007450	Outer Breaker 60 Cy. - Single Speed - Single Phase		1105401	3 Phase Hubbell Male Plug	
1007550	Outer Breaker 50 Cy. - Single Speed - Single Phase		1105500	3 Phase Hubbell Female Plug	
1007600	Insulator - Super, Jr. & Jeans Mach. - Single Phase		1134060	Ground Wire	
1014000	Fan		1382183	Rotor Knob S. A.	
1015000	Fan Locknut		1386700	Spacer	
1024000	Rear Head		3003400	Acorn Nut (8 on Dual & Jeans Mach.)	4
1025000	Rear Cover		9900089	Knob Cover Screw	2
1025200	Knob Cover		9900098	Screw for 1 Phase Plug	3
1048100	Twist-Lock Connector Base - 1 Phase		9900099	Screw for 3 Phase Plug	2
1048200	Twist-Lock Connector Base - 3 Phase		9900119	Screw for Breaker	2
1058093	Rear Head Bearing		9900123	Screw for Rear Cover	4
1093200	Bearing Spacer		9900142	Screw for Hubbell Base	3
1101950	1 Phase Connection		9901973	Washer	3
1102100	1 Phase Brass Insert				

PACER 100 MOTOR AND CONNECTOR BOX ASSEMBLIES

For Super Pacer 100, 2 Speed 100,
Jeans Machine 100 and
Jr. 100



- 1043200 1/4" (6.4mm) Wolf dog
- 1043000 3/16" (4.8mm) Wolf dog & Eastman
- 1043100 1/8" (3.2mm) Eastman

- 9900119
- 1001600 (110 V)
- 1002100 (220 V)
- 1001700 (110 V)
- 1002000 (220 V)
- 1001500 (110 V)
- 1001800 (220 V)

DESCRIPTION	PART NO.	VOLTAGE
PACER 100 & JEANS MACHINE 100 STATOR	1371001	110/1/60
	1371002	110/1/50
	1371003	100/1/60
	1371004	220/1/50
	1371005	220/1/60
	1371016	220/3/60
	1371017	440/3/60
	1371022	440/3/50
	1371026	380/3/50
2 SPEED 100 STATOR	1371201	110/1/60
	1371202	110/1/50
	1371203	100/1/60
	1371204	220/1/50
	1371205	220/1/60
	1371216	220/3/60
	1371217	440/3/60
	1371222	440/3/50
JR. 100 STATOR	1371101	110/1/60
	1371102	110/1/50
	1371103	100/1/60
	1371104	220/1/50
	1371105	220/1/60
	1371116	220/3/60
	1371117	440/3/60
1371122	440/3/50	
1371126	380/3/50	
1371135	220/3/50	
1371138	100/1/50	

FOR ANY OTHER VOLTAGE PLEASE SPECIFY

Part No.	Description	Quantity used if more than 1
1001500	110V Capacitor-Super/Jeans Mach., all voltages - 1 Ph. Jr./2 Speed, 110V - 1 Ph.	
1001600	110V Capacitor Cover	
1001700	110V Capacitor Insulator	
1001800	220V Capacitor-Jr., 2 Speed 220V only - 1 Ph.	
1002000	220V Capacitor Insulator	
1002100	220V Capacitor Cover	
1043000	3/16" (4.8mm) Connection Post - Wolf 3 Ph. & Eastman	3
1043100	1/8" (3.2mm) Connection Post - Eastman	as required
1043200	1/4" (6.4mm) Connection Post - Wolf 1 Ph.	2
1043500	Ground Strap (not shown)	
1043900	Ground Center Post 1/4" Wolf only (not shown)	
1044000	Connection Box	
1044460	Connection Block Assy.	
1370300	Rotor - Super, 2 Speed & Jeans Machine	
1370400	Rotor - Jr.	
1371900	Motor Case, Super, 2 Speed & Jeans Machine	
1372100	Motor Case - Jr.	
1382198	Top Handle	
9900119	Screw for Capacitor Cover	2
9900140	Screw for Connection Box	3
9900589	Screw for Top Handle	4
9900963	Connection Block Screw	2 or 3
9901596	Screw to secure Block	3
9901878	1/4-20x1/4" Socket Head Set Screw	2
9901973	Washer	3

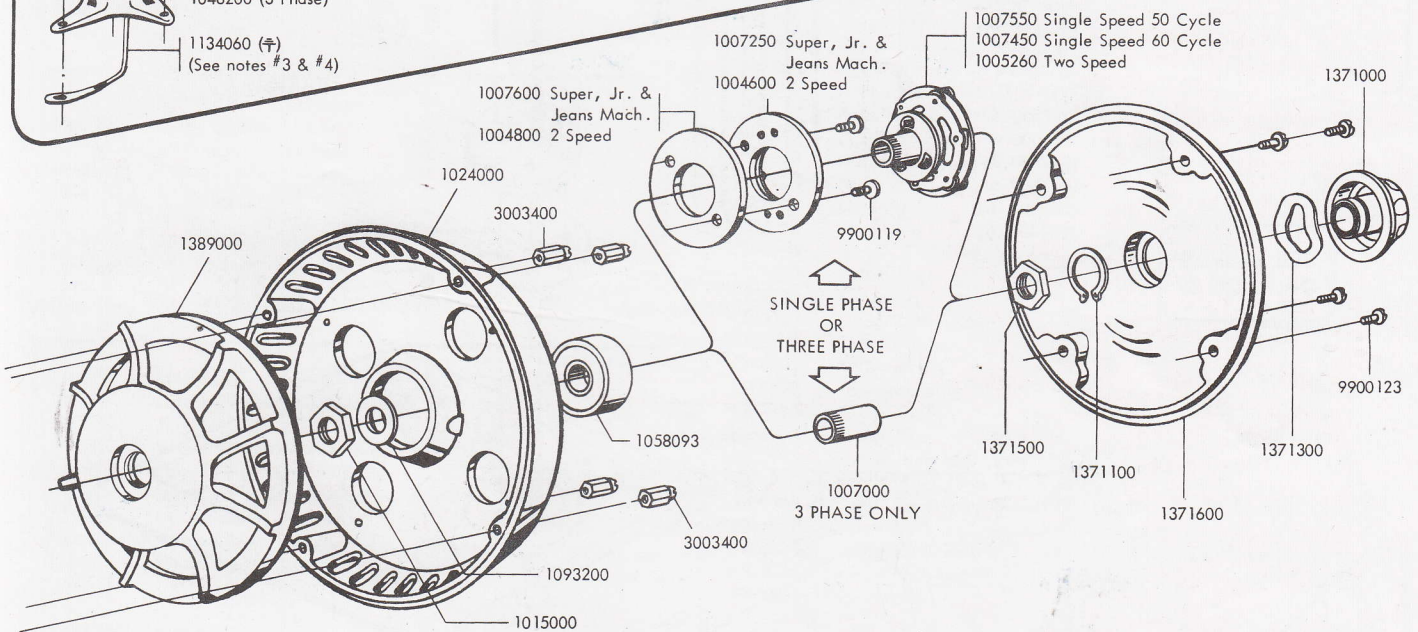
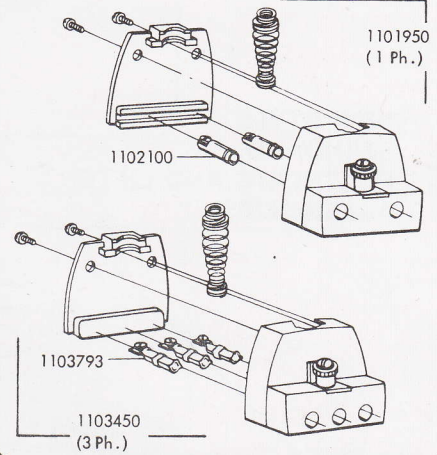
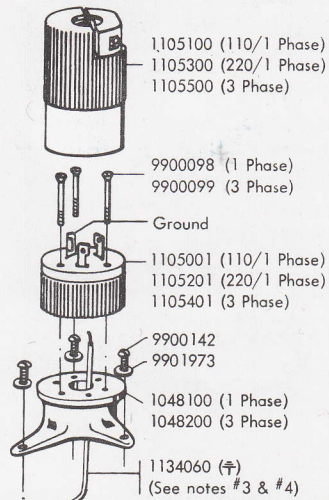
1370300 Super 100, 2 Speed 100 &
Jeans Machine 100
1370400 Jr. 100

1371900 Super 100, 2 Speed 100 &
Jeans Machine 100
1372100 Jr. 100

INSTALLATION OF THE TWIST-LOCK TYPE ELECTRICAL CONNECTOR

CORD CONNECTORS

1. Disconnect electrical connector.
2. Remove old type connection box. Pull out terminal block by removing the 3 screws on outside of connection box. Disconnect wires on the back of the block.
3. If the new male plug is mounted on the Twist-Lock base, remove it. Bring lead wires thru new base being installed. Before base is secured to motor case, the Green Ground wire # 1134060 must be properly attached. Note: Place ground between base and motor case, attaching it with any one of the screws, leading the other end up thru base.
4. Connect leads and ground wires to male plug. Make certain ground wire is connected to right angle shaped terminal pin. NOTE: Be sure three phase machines rotate in same direction as arrow stamped on rear motor case. To check, make flash contact with switch turned on. If rotation is incorrect, reverse by changing the lead wires on the male plug. Motor must rotate in proper direction or severe damage will result.



Part #	Description	Quantity used if more than 1	Part #	Description	Quantity used if more than 1
1004600	Inner Breaker - 2 Speed - 1 Phase		1105100	110/1 Phase Twist-lock Female Plug	
1004800	Insulator - 2 Speed - 1 Phase		1105201	220/1 Phase Twist-lock Male Plug	
1005260	Outer Breaker - 2 Speed - 1 Phase		1105300	220/1 Phase Twist-lock Female Plug	
1007000	3 Phase Spacer		1105401	3 Phase Hubbell Male Plug	
1007250	Inner Breaker - Super, Jr. & Jeans Machine - 1 Phase		1105500	3 Phase Hubbell Female Plug	
1007450	Outer Breaker 60 Cycle - Single Speed - 1 Phase		1134060	Ground Wire	
1007550	Outer Breaker 50 Cycle - Single Speed - 1 Phase		1371000	Knob	
1007600	Insulator - Super, Jr. & Jeans Machine - 1 Phase		1371100	Clip	
1015000	Fan Locknut		1371300	Spring	
1024000	Rear Head		1371500	Nut	
1048100	Twist-lock Connector Base - 1 Phase		1371600	Rear Cover	
1048200	Twist-lock Connector Base - 3 Phase		1389000	Fan	
1058093	Rear Head Bearing		3003400	Acorn Nut (8 on 2 Speed & Jeans Machine)	4
1093200	Bearing Spacer		9900098	Screw for 1 Phase Plug	3
1101950	1 Phase Connection		9900099	Screw for 3 Phase Plug	2
1102100	1 Phase Brass Insert		9900119	Screw for Breaker	2
1103450	3 Phase Connection		9900123	Screw for Rear Cover	4
1103793	3 Phase Brass Insert	3	9900142	Screw for Hubbell Base	3
1105001	110/1 Phase Twist-lock Male Plug		9901973	Washer	3

**NEW STYLE
STANDARD,
FOOTPLATE AND LIFTER
ASSEMBLIES**

REG. INSERTS

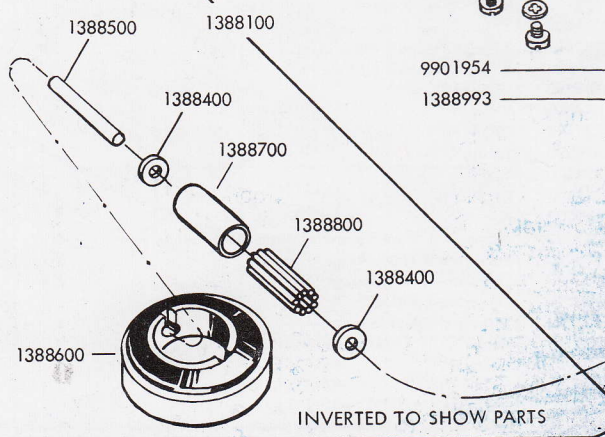
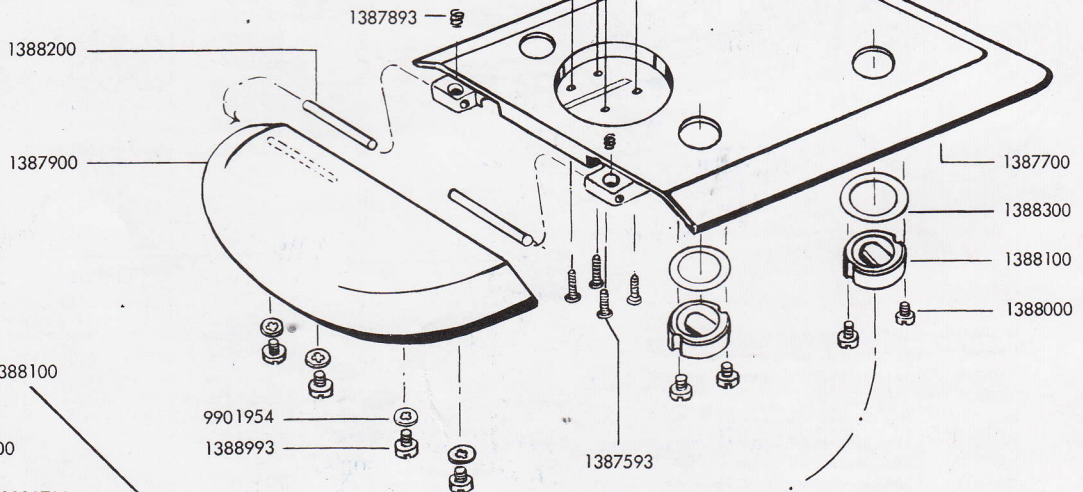
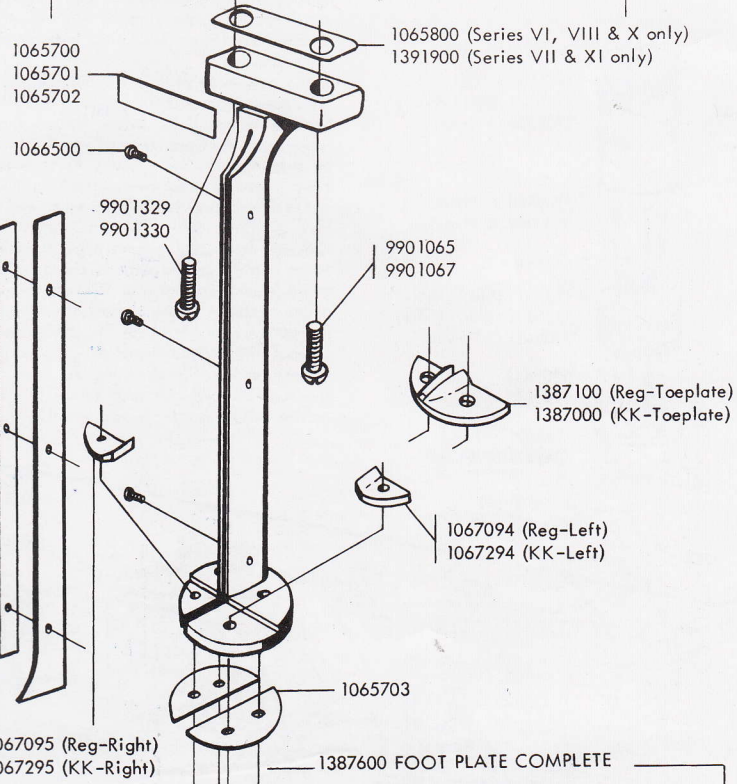
- 1066000 5"
- 1066100 6"
- 1066200 7"
- 1066300 8"
- 1066400 10"
- 1067300 14"

KLEEN-KUT INSERTS

- 1067500 5"
- 1067600 6"
- 1067700 7"
- 1067800 8"
- 1067900 10"
- 1067400 14"

**SEE KNIVES
ON PAGE 33**

STANDARD COMPLETE WITH INSERTS
& SCREWS, SEE NUMBERS ON PAGE 23



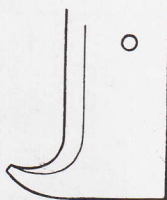
MILLIMETER EQUIVALENTS

Machine Strokes: 1-1/8" Ex. Short 29 mm;
1-1/4" Short 32 mm; 1-3/8" Med. 35 mm;
1-1/2" Long 38 mm; 1-3/4" Ex. Long 44 mm
Machine Sizes: 5"- 127 mm; 6"- 152 mm; 7"-
178 mm; 8"- 203 mm; 10"- 254 mm; 14"- 356 mm

NUMBERS FOR FOOTPLATE, LIFTER AND STANDARD ASSEMBLIES

IN NUMERICAL ORDER

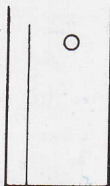
Part No.	Description	Quantity used if more than 1	Part No.	Description	Quantity used if more than 1
1-1/4", 1-3/8" & 1-1/2" STROKE STANDARDS:					
1065050	5" W/Kleen-Kut Inserts		1066400	Set of Regular Inserts 10"	
1065051	5" W/Regular Inserts		1066500	Insert Screws	2 or 3
1065150	6" W/Kleen-Kut Inserts		1067050	Set of Regular Toes	
1065151	6" W/Regular Inserts		1067094	Regular Toe Left	
1065250	7" W/Kleen-Kut Inserts		1067095	Regular Toe Right	
1065251	7" W/Regular Inserts		1067150	Set of Kleen-Kut Toes	
1065350	8" W/Kleen-Kut Inserts		1067294	Kleen-Kut Toe Left	
1065351	8" W/Regular Inserts		1067295	Kleen-Kut Toe Right	
1065450	10" W/Kleen-Kut Inserts		1067300	Set of Regular Inserts 14"	
1065451	10" W/Regular Inserts		1067400	Set of Kleen-Kut Inserts 14"	
1065550	14" W/Kleen-Kut Inserts		1067500	Set of Kleen-Kut Inserts 5"	
1065551	14" W/Regular Inserts		1067600	Set of Kleen-Kut Inserts 6"	
1-3/4" STROKE STANDARDS:					
1068550	6" W/Kleen-Kut Inserts		1067700	Set of Kleen-Kut Inserts 7"	
1068551	6" W/Regular Inserts		1067800	Set of Kleen-Kut Inserts 8"	
1068650	7" W/Kleen-Kut Inserts		1067900	Set of Kleen-Kut Inserts 10"	
1068651	7" W/Regular Inserts		1387000	Kleen-Kut Toeplate	
1068750	8" W/Kleen-Kut Inserts		1387100	Regular Toeplate	
1068751	8" W/Regular Inserts		1387593	Hardened Screw	4
1068850	10" W/Kleen-Kut Inserts		1387600	Foot Plate Complete	
1068851	10" W/Regular Inserts		1387700	Foot Plate	
1068950	14" W/Kleen-Kut Inserts		1387893	Lifter Spring	2
1068951	14" W/Regular Inserts		1387900	Lifter	
			1388000	Screw, Roller Retainer	8
			1388100	Roller Assy	4
			1388200	Lifter Pin	2
			1388300	Shim, Roller Assy	As Req'd
			1388400	Roller Washer	8
			1388500	Roller Shaft	4
			1388600	Roller Housing	4
			1388700	Roller Shell	4
			1388800	Roller Pins	40
			1388993	Screw, Retainer Lifter	4
			1391900	Spacer (10" Series VII & XI only)	
			9901065	Screw for Standard (1-1/4", 1-3/8", 1-1/2" Stroke)	
			9901067	Screw for Standard (1-3/4" Stroke)	
			9901329	Screw for Standard (1-1/4", 1-3/8", 1-1/2" Stroke)	
			9901330	Screw for Standard (1-3/4" Stroke)	
			9901954	Lock Washer	4
1065700	Shim for Front Head/Standard .005" (.127mm)				
1065701	Shim for Front Head/Standard .010" (.254mm)				
1065702	Shim for Front Head/Standard .020" (.508mm)				
1065703	Shim for Standard/Footplate				
1065800	Shim (1-1/2" Stroke) (Series VI, VIII & X only)	2			
1066000	Set of Regular Inserts 5"				
1066100	Set of Regular Inserts 6"				
1066200	Set of Regular Inserts 7"				
1066300	Set of Regular Inserts 8"				



*NOTE: # 1067150 TOES ARE REQUIRED WITH KLEEN-KUT INSERTS

KLEEN-KUT INSERTS

Wolf dog pioneered Kleen-Kut inserts improve cutting through pile, knits, and all soft or loosely woven materials. As a result of their clean shear cut, Kleen-Kut inserts help prevent unraveling and eliminate the packing or jamming of threads in the footplate. All new Pacers, except the Jeans Machine_{T.M.}, have Kleen-Kut inserts installed at the factory since they are best for most types of cutting.



*NOTE: # 1067050 TOES ARE REQUIRED WITH REGULAR INSERTS

REGULAR INSERTS

Wolf dog's regular inserts are best for the cutting of denim and hard materials which do not unravel when cut. Regular inserts are more economical than Kleen-Kut inserts since they are reversible and cost less initially. Regular inserts are not installed on new Pacers, except on the Jeans Machine_{T.M.} from the factory, unless specifically ordered.

MILLIMETER EQUIVALENTS | Machine Strokes: 1-1/8" Ex. Short 29 mm; 1-1/4" Short 32 mm; 1-3/8" Med. 35 mm; 1-1/2" Long 38 mm; 1-3/4" Ex. Long 44 mm
Machine Sizes: 5" - 127 mm; 6" - 152 mm; 7" - 178 mm; 8" - 203 mm; 10" - 254 mm; 14" - 356 mm

**OLD STYLE
STANDARD,
FOOTPLATE AND LIFTER
ASSEMBLIES**

STANDARD COMPLETE W/INSERTS
& SCREWS SEE NUMBERS ON PAGE 25

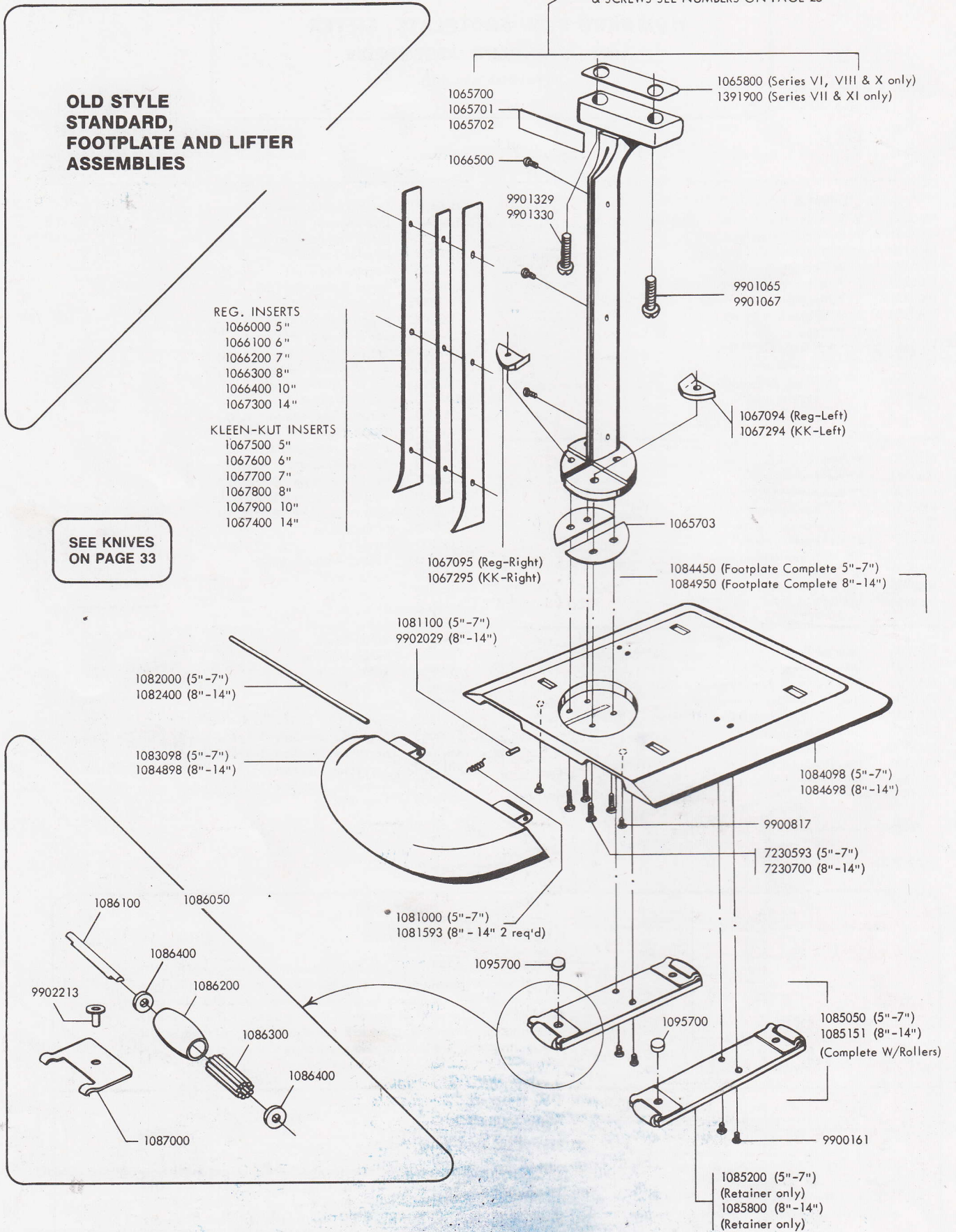
REG. INSERTS

- 1066000 5"
- 1066100 6"
- 1066200 7"
- 1066300 8"
- 1066400 10"
- 1067300 14"

KLEEN-KUT INSERTS

- 1067500 5"
- 1067600 6"
- 1067700 7"
- 1067800 8"
- 1067900 10"
- 1067400 14"

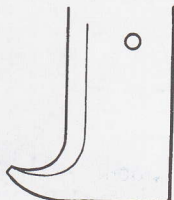
SEE KNIVES
ON PAGE 33



NUMBERS FOR FOOTPLATE, LIFTER AND STANDARD ASSEMBLIES

IN NUMERICAL ORDER

Part No.	Description	Quantity used if more than 1	Part No.	Description	Quantity used if more than 1
1-3/8" & 1-1/2" STROKE STANDARDS:					
1065050	5" W/Kleen-Kut Inserts		1067294	Kleen-Kut Toe Left	
1065051	5" W/Regular Inserts		1067295	Kleen-Kut Toe Right	
1065150	6" W/Kleen-Kut Inserts		1067300	Set of Regular Inserts 14"	
1065151	6" W/Regular Inserts		1067400	Set of Kleen-Kut Inserts 14"	
1065250	7" W/Kleen-Kut Inserts		1067500	Set of Kleen-Kut Inserts 5"	
1065251	7" W/Regular Inserts		1067600	Set of Kleen-Kut Inserts 6"	
1065350	8" W/Kleen-Kut Inserts		1067700	Set of Kleen-Kut Inserts 7"	
1065351	8" W/Regular Inserts		1067800	Set of Kleen-Kut Inserts 8"	
1065450	10" W/Kleen-Kut Inserts		1067900	Set of Kleen-Kut Inserts 10"	
1065451	10" W/Regular Inserts		1081000	Lifter Spring (5"-7")	
1065550	14" W/Kleen-Kut Inserts		1081100	Lifter Pin (5"-7")	
1065551	14" W/Regular Inserts		1081593	Lifter Spring (8"-14")	2
1-3/4" STROKE STANDARDS:					
1068550	6" W/Kleen-Kut Inserts		1082000	Hinge Pin (5"-7")	
1068551	6" W/Regular Inserts		1082400	Hinge Pin (8"-14")	
1068650	7" W/Kleen-Kut Inserts		1083098	Lifter (5"-7")	
1068651	7" W/Regular Inserts		1084093	Foot Plate (5"-7")	
1068750	8" W/Kleen-Kut Inserts		1084450	Foot Plate Complete (5"-7")	
1068751	8" W/Regular Inserts		1084698	Foot Plate (8"-14")	
1068850	10" W/Kleen-Kut Inserts		1084898	Lifter (8"-14")	
1068851	10" W/Regular Inserts		1084950	Foot Plate Complete (8"-14")	
1068950	14" W/Kleen-Kut Inserts		1085050	Rollers & Retainer Assy. (5"-7")	2
1068951	14" W/Regular Inserts		1085151	Rollers & Retainer Assy. (8"-14")	2
			1085200	Retainer 5"-7"	
			1085800	Retainer 8"-14"	
			1086050	Roller Sub-Assy.	4
			1086100	Roller Shaft	4
			1086200	Roller Shell	4
			1086300	Roller Pins	44
			1086400	Roller Washer	8
			1087000	Clamp	4
			1095700	Retainer Cushion (5"-7" 2 req., 8"-14" 4 req.)	
1065700	Shim for Front Head/Standard .005"		1391900	Spacer (10" Series VII & XI only)	
1065701	Shim for Front Head/Standard .010"		7230593	Hardened Screw (5"-7")	4
1065702	Shim for Front Head/Standard .020"		7230700	Hardened Screw (8"-14")	4
1065703	Shim for Standard/Footplate	2	9900161	Screw for Retainer	4
1065800	Shim (1-1/2" Stroke Only) (Series VI, VIII, X)		9900817	Screw for Lifter	2
1066000	Set of Regular Inserts 5"		9901065	Screw for Standard (1-3/8", 1-1/2" Stroke)	
1066100	Set of Regular Inserts 6"		9901067	Screw for Standard (1-3/4" Stroke)	
1066200	Set of Regular Inserts 7"		9901329	Screw for Standard (1-3/8", 1-1/2" Stroke)	
1066300	Set of Regular Inserts 8"		9901330	Screw for Standard (1-3/4" Stroke)	
1066400	Set of Regular Inserts 10"		9902029	Lifter Pin (8"-14")	
1066500	Insert Screws	2 or 3	9902213	Rivet	4
1067094	Regular Toe Left				
1067095	Regular Toe Right				



KLEEN-KUT INSERTS

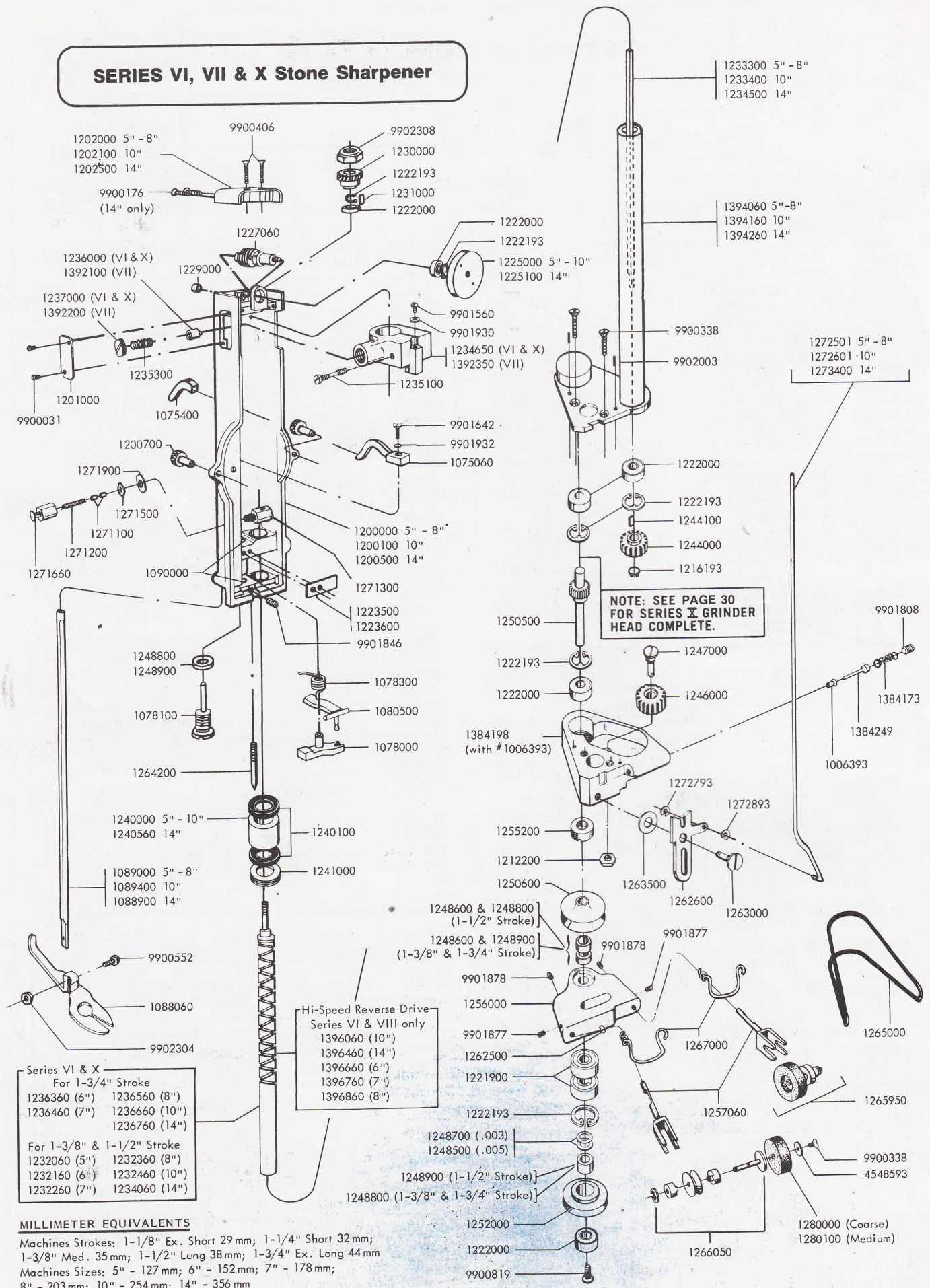
Wolf dog pioneered Kleen-Kut inserts improve cutting through pile, knits, and all soft or loosely woven materials. As a result of their clean shear cut, Kleen-Kut inserts help prevent unraveling and eliminate the packing or jamming of threads in the footplate. All new Pacers, except the Jeans MachineTM, have Kleen-Kut inserts installed at the factory since they are best for most types of cutting.



REGULAR INSERTS

Wolf dog's regular inserts are best for the cutting of denim and hard materials which do not unravel when cut. Regular inserts are more economical than Kleen-Kut inserts since they are reversible and cost less initially. Regular inserts are not installed on new Pacers, except on the Jeans MachineTM, from the factory, unless specifically ordered.

SERIES VI, VII & X Stone Sharpener



Series VI & X

For 1-3/4" Stroke

1236360 (6")	1236560 (8")
1236460 (7")	1236660 (10")
	1236760 (14")

For 1-3/8" & 1-1/2" Stroke

1232060 (5")	1232360 (8")
1232160 (6")	1232460 (10")
1232260 (7")	1234060 (14")

Hi-Speed Reverse Drive
Series VI & VIII only

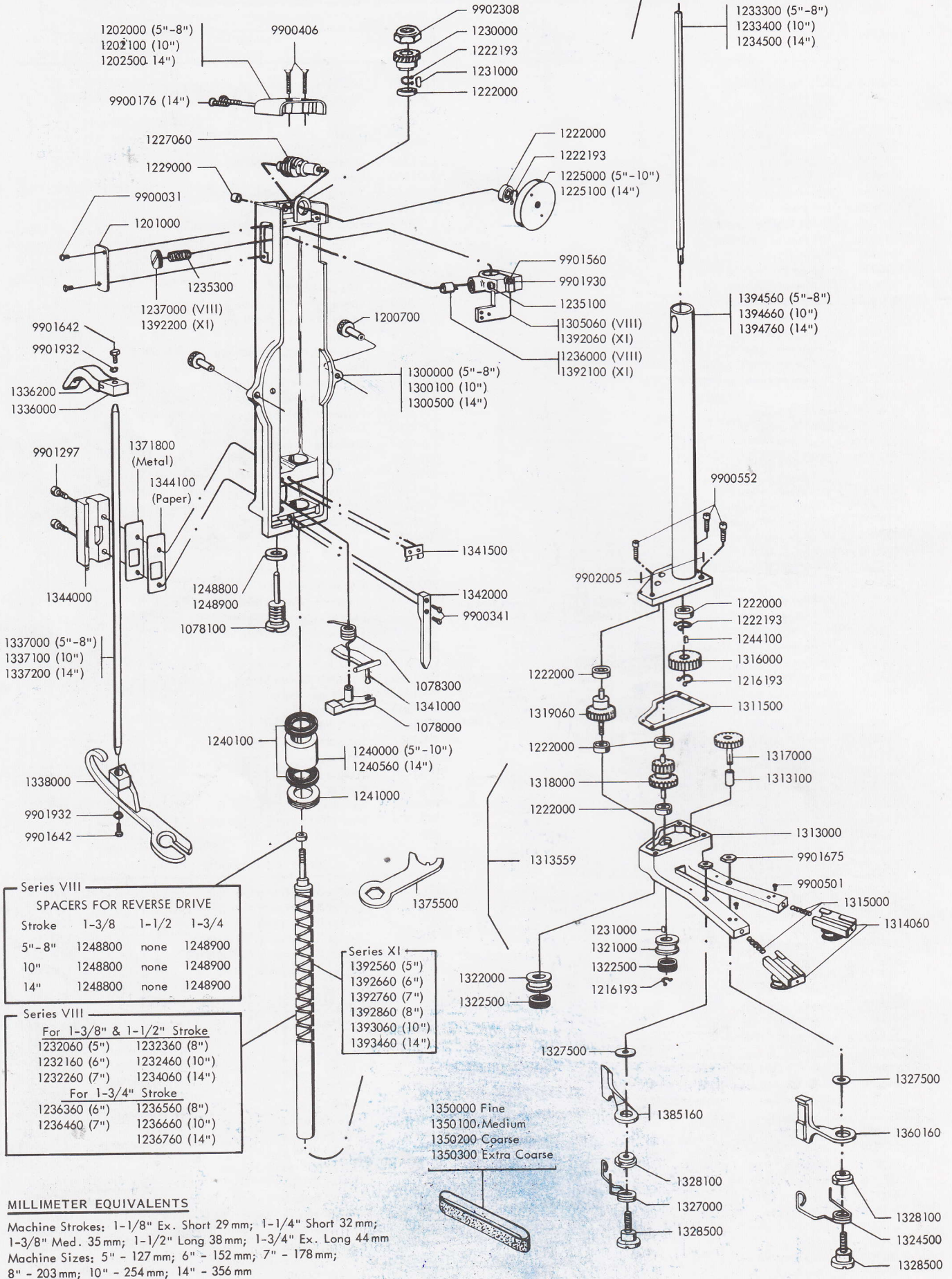
1396060 (10")
1396460 (14")
1396660 (6")
1396760 (7")
1396860 (8")

MILLIMETER EQUIVALENTS

Machines Strokes: 1-1/8" Ex. Short 29 mm; 1-1/4" Short 32 mm;
1-3/8" Med. 35 mm; 1-1/2" Long 38 mm; 1-3/4" Ex. Long 44 mm

Machines Sizes: 5" - 127 mm; 6" - 152 mm; 7" - 178 mm;
8" - 203 mm; 10" - 254 mm; 14" - 356 mm

SERIES VIII & XI Belt Sharpener



**Series VIII
SPACERS FOR REVERSE DRIVE**

Stroke	1-3/8	1-1/2	1-3/4
5"-8"	1248800	none	1248900
10"	1248800	none	1248900
14"	1248800	none	1248900

Series VIII

For 1-3/8" & 1-1/2" Stroke	
1232060 (5")	1232360 (8")
1232160 (6")	1232460 (10")
1232260 (7")	1234060 (14")
For 1-3/4" Stroke	
1236360 (6")	1236560 (8")
1236460 (7")	1236660 (10")
	1236760 (14")

Series XI

1392560 (5")
1392660 (6")
1392760 (7")
1392860 (8")
1393060 (10")
1393460 (14")

1350000 Fine
1350100 Medium
1350200 Coarse
1350300 Extra Coarse

MILLIMETER EQUIVALENTS

Machine Strokes: 1-1/8" Ex. Short 29mm; 1-1/4" Short 32mm;
 1-3/8" Med. 35mm; 1-1/2" Long 38mm; 1-3/4" Ex. Long 44mm
 Machine Sizes: 5" - 127mm; 6" - 152mm; 7" - 178mm;
 8" - 203mm; 10" - 254mm; 14" - 356mm

NUMBERS FOR SERIES VIII & XI Belt Sharpener

IN NUMERICAL ORDER

Part No.	Description	Quantity used if more than 1	Part No.	Description	Quantity used if more than 1
1078000	Unlocking Finger		1337000	Presser Foot Rod 5"-8"	
1078100	Footlock Pivot Pin		1337100	Presser Foot Rod 10"	
1078300	Footlock Spring		1337200	Presser Foot Rod 14"	
1200700	Thumb Nut	2	1338000	Presser Foot	
1201000	Cover Plate		1341000	Locking Cam	
1202000	Sharpener Housing Cap 5"-8"		1341500	Retaining Clip	
1202100	Sharpener Housing Cap 10" - Pacers before 1/89		1342000	Spreader Pressure Arm	
1202500	Sharpener Housing Cap 14"		1344000	Rod Journal	
1216193	Retaining Ring	2	1344100	Shim .005" (.127 mm)	
1222000	Bearing	7	1350000	Emery Belt - Fine	
1222193	Retaining Ring	3	1350100	Emery Belt - Medium	
1225000	5"-10" Upper Drive Pulley		1350200	Emery Belt - Coarse	
1225100	14" Upper Drive Pulley		1350300	Emery Belt - Extra-Coarse	
1227060	Worm & Shaft Assy		1360160	Belt Pressure Arm - Left	
1229000	Bushing		1371800	Bearing Plate	
1230000	Worm Wheel Gear		1375500	Wrench	
1231000	Woodruff Key	2	1385160	Belt Pressure Arm - Right	
1232060	5" Reverse Drive (1-3/8" & 1-1/2" Stroke)	Series VIII only	1392060	Follower Guide Assy. - Series XI only	
1232160	6" Reverse Drive (1-3/8" & 1-1/2" Stroke)		1392100	Follower - Series XI only	
1232260	7" Reverse Drive (1-3/8" & 1-1/2" Stroke)		1392200	Retaining Nut for Follower - Series XI only	
1232360	8" Reverse Drive (1-3/8" & 1-1/2" Stroke)		1392560	5" Reverse Drive	Series XI*, also these numbers used for discontinued Series VII machine.
1232460	10" Reverse Drive (1-3/8" & 1-1/2" Stroke)		1392660	6" Reverse Drive	
1233300	Drive Shaft 5"-8"	1392760	7" Reverse Drive		
1233400	Drive Shaft 10"	1392860	8" Reverse Drive		
1234060	14" Reverse Drive (1-3/8" & 1-1/2" Stroke)	1393060	10" Reverse Drive		
1234500	Drive Shaft 14"	1393460	14" Reverse Drive		
1235100	Clamping Screw		1394560	Sharpener Tube S. A. 5"-8"	
1235300	Spring		1394660	Sharpener Tube S. A. 10"	
1236000	Follower - Series VIII only		1394760	Sharpener Tube S. A. 14"	
1236360	6" Reverse Drive (1-3/4" Stroke)	Series VIII only	9900031	Cover Plate Screw	2
1236460	7" Reverse Drive (1-3/4" Stroke)		9900176	14" Sharpener Cap Screw	2
1236560	8" Reverse Drive (1-3/4" Stroke)		9900341	Spreader Arm Screw	2
1236660	10" Reverse Drive (1-3/4" Stroke)		9900406	Sharpener Cap Screw	2
1236760	14" Reverse Drive (1-3/4" Stroke)		9900501	Pulley Carrier Screw	2
1237000	Retaining Nut for Follower - Series VIII only		9900552	Grinder Head Mounting Screw	3
1240000	Bushing 5"-10"		9901297	Rod Journal Screw	2
1240100	Wiper	2	9901560	Follower Guide Screw	
1240560	Bushing 14"		9901642	Presser Foot Screw	2
1241000	End Seal Nut		9901675	Nut for Belt Pressure Arm	2
1244100	Key for Driver Gear		9901930	Lockwasher for Follower Guide	
1248800	Spacer .060" (1.52 mm)		9901932	Lockwasher for Presser Foot	2
1248900	Spacer .045" (1.14 mm)		9902005	Roll Pin for Gear Box	2
1300000	Sharpener Housing 5"-8"		9902308	Stop Nut	
1300100	Sharpener Housing 10"				
1300500	Sharpener Housing 14"				
1305060	Follower Guide Assy - Series VIII only				
1311500	Gasket				
1313000	Sharpener Head				
1313100	Bronze Bushing		5"	1-3/8" & 1-1/2" Stroke	1300958
1313559	Grinder Head Complete Assy		6"	1-3/8" & 1-1/2" Stroke	1301058
1314060	Pulley Carrier S. A.	2	6"	1-3/4" Stroke	1301059
1315000	Belt Tension Spring	2	7"	1-3/8" & 1-1/2" Stroke	1301158
1316000	Drive Gear		7"	1-3/4" Stroke	1301159
1317000	Keyed Shaft & Gear		8"	1-3/8" & 1-1/2" Stroke	1301258
1318000	Intermediate Gear		8"	1-3/4" Stroke	1301259
1319060	Threaded Shaft & Gear Assy		10"	1-3/8" & 1-1/2" Stroke	1301358
1321000	Belt Pulley Driver		10"	1-3/4" Stroke	1301359
1322000	Threaded Belt Pulley		14"	1-3/8" & 1-1/2" Stroke	1301458
1322500	Drive Pulley Tire	2	14"	1-3/4" Stroke	1301459
1324500	Belt Tension Spring - Right				
1327000	Belt Tension Spring - Left				
1327500	Tension Arm Washer	2			
1328100	Eccentric Shoulder Bushing	2	10"	Series XI Sharpener Complete	1301650
1328500	Shoulder Screw	2	14"	Series XI Sharpener Complete	1301654
1336000	Lift Hook		5"	Series XI Sharpener Complete	1301655
1336200	Lift Hook Cover		6"	Series XI Sharpener Complete	1301656
			7"	Series XI Sharpener Complete	1301657
			8"	Series XI Sharpener Complete	1301658

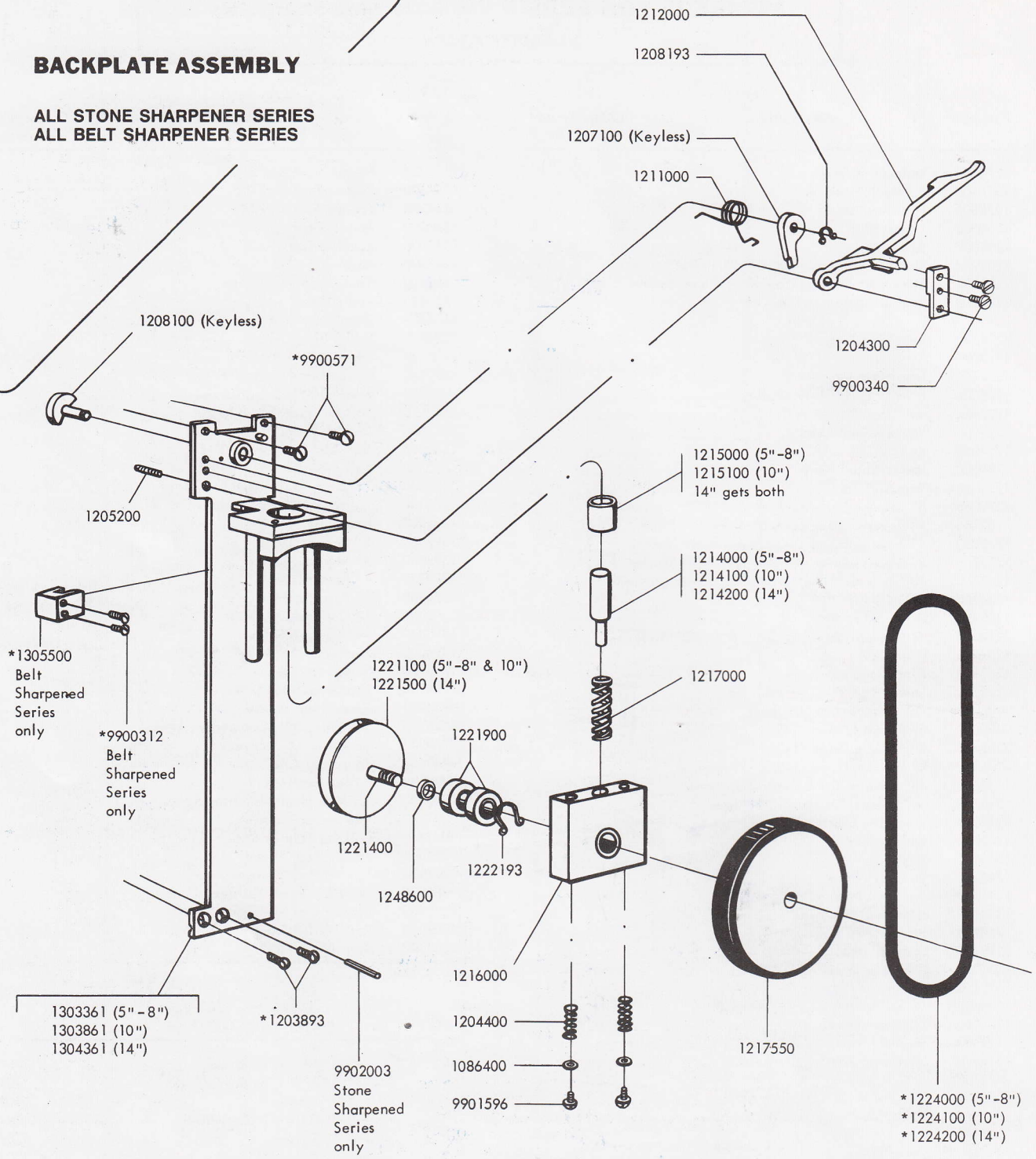
* Hi-Speed Reverse Drive for Series VI & VIII 6", 7", 8", 10" and 14" machines, SEE PAGE 27.

SERIES VIII SHARPENER COMPLETE

SERIES XI SHARPENER COMPLETE

BACKPLATE ASSEMBLY

ALL STONE SHARPENER SERIES
ALL BELT SHARPENER SERIES



BACKPLATE COMPLETE - All machines

- 1303059 5" thru 8"
- 1303559 10"
- 1304059 14"

* NOT INCLUDED IN COMPLETE BACK PLATE

MILLIMETER EQUIVALENTS | Machine Strokes: 1-1/8" Ex. Short 29 mm; 1-1/4" Short 32 mm; 1-3/8" Med. 35 mm; 1-1/2" Long 38 mm; 1-3/4" Ex. Long 44 mm
Machine Sizes: 5" - 127 mm; 6" - 152 mm; 7" - 178 mm; 8" - 203 mm; 10" - 254 mm; 14" - 356 mm

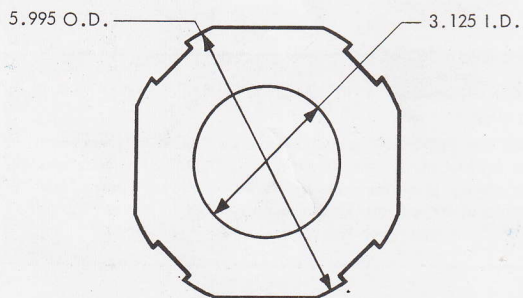
NUMBERS FOR BACKPLATE ASSEMBLY

IN NUMERICAL ORDER

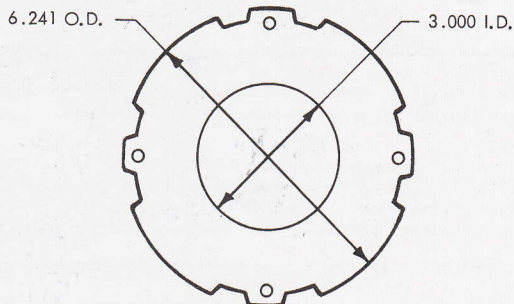
Part #	Description	Quantity used if more than 1	Part #	Description	Quantity used if more than 1
1086400	Washer for 1204400	2	1221100	Drive Pulley - Lower 5" - 8" & 10"	
1203893	Back Plate Screw	2	1221400	Pulley Shaft	
1204300	Starting Lever Support		1221500	Drive Pulley - Lower 14"	
1204400	Spring Brake 5" - 10"	2	1221900	Bearing	2
1205200	Lever Pivot Screw		1222193	Retaining Ring	
1207100	Pawl - Keyless	} SOLD ONLY IN SETS	1224000	Upper Belt 5"-8"	
1208100	Shaft - Keyless		1224100	Upper Belt 10"	
1208193	Retaining Ring		1224200	Upper Belt 14"	
1211000	Pawl Spring		1248600	Spacer .120" (3.05mm)	
1212000	Starting Lever		1303059	Backplate Complete Assy. 5" - 8"	
1214000	Actuating Pin 5" - 8"		1303361	Backplate S.A. 5"-8"	
1214100	Actuating Pin 10"		1303559	Backplate Complete Assy. 10"	
1214200	Actuating Pin 14"		1303861	Backplate S.A. 10"	
1215000	Bushing 5" - 8"	} 14" gets one of each	1304059	Backplate Complete Assy. 14"	
1215100	Bushing 10"		1304361	Backplate S.A.	
1216000	Sliding Block		1305500	Nylon Guide - Belt Sharpened Series only	
1217000	Friction Wheel Spring		9900312	Nylon Guide Screw - Belt Sharpened Series only	2
1217550	Friction Wheel & Tire S.A.		9900340	Lever Support Screw	2
1220000	Rubber Tire (Not shown)		9900571	Backplate Mounting Screw	2
			9901596	Sliding Block Screw	2
			9902003	Roll Pin - Stone Sharpened Series only	

MILLIMETER EQUIVALENTS | Machine Strokes: 1-1/8" Ex. Short 29 mm; 1-1/4" Short 32 mm; 1-3/8" Med. 34 mm; 1-1/2" Long 38 mm; 1-3/4" Ex. Long 44 mm
Machine Sizes: 5" - 127 mm; 6" - 152 mm; 7" - 178 mm; 8" - 203 mm; 10" - 254 mm; 14" - 356 mm

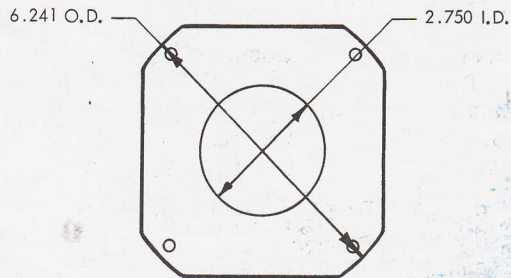
PACER STATOR BLANKS



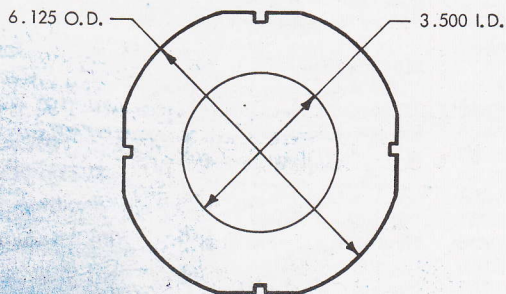
PACER 100
13710XX Super, Jeans Machine
13711XX Jr.
13712XX 2 Speed



2001100 Jr.
1001200 Super, Jeans Machine, 2 Speed

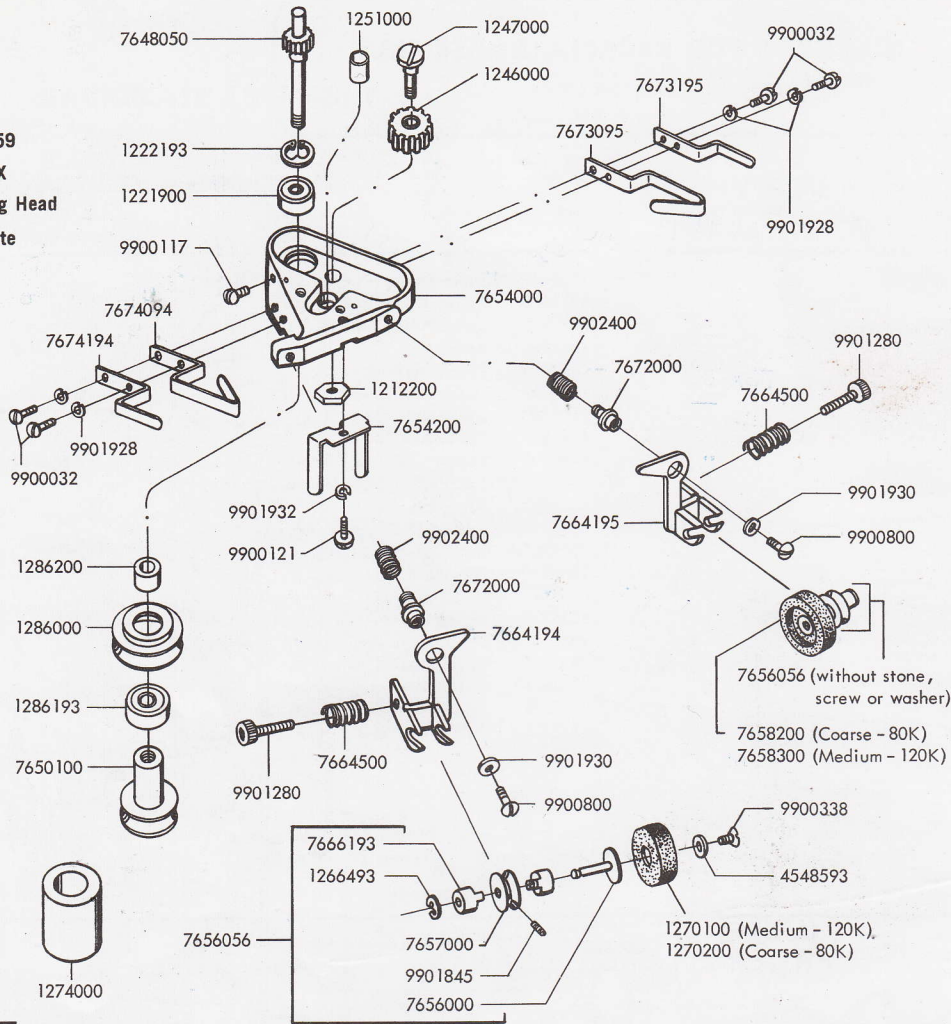


INTERIM
2031100 Jr.
1001300 Super, Jeans Machine, 2 Speed



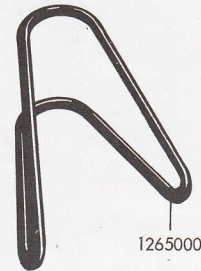
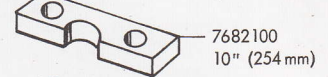
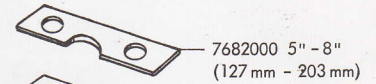
1011200 Super, Jeans Machine, 2 Speed
2011100 Jr.
3011100 Super Jeans, Super Series J

7654059
Series X
Grinding Head
Complete



**SERIES X
SHARPENER**

Grinding Head only, See page 26 for Sharpener Housing, Reverse Drive, Sharpener Tube and related parts.



MILLIMETER EQUIVALENTS

Machine Strokes: 1-1/8" Ex. short 29 mm; 1-1/4" Short 32 mm; 1-3/8" Med. 35 mm; 1-1/2" Long 38 mm; 1-3/4" Ex. long 44 mm.
Machine Sizes: 5" - 127 mm; 6" - 152 mm; 7" - 178 mm; 8" - 203 mm; 10" - 254 mm; 14" - 365 mm.

SERIES X SHARPENER INSTALLATION INSTRUCTIONS

If your PACER is supplied with the optional SERIES 'X' style grinder head, this page gives you the parts listing for this section.

If you desire to change over a regular WOLF PACER VI or VIII to the PACER SERIES 'X'; in other words use the SERIES 'X' grinder head as opposed to the regular PACER style you must order three (3) parts as follows: 1-7654059-Grinder Head Complete; 1-1274000-Presserfoot

Rod Bushing Complete; 1-10"-7682100 or 8"-7682000 -Wear Plate (specify size).

To install the SERIES 'X' grinder head on a PACER it is necessary to drill the bottom of the sharpener housing (1200000) to accommodate the wear plate. It is also necessary to install the new part spacer on to the presserfoot rod just above the presserfoot to prevent the grinding wheels from rubbing on the presserfoot.

Part No.	Description	Quantity used if more than 1	Part No.	Description	Quantity used if more than 1
1212200	Hex Nut - Thin		7664194	Grinding Wheel Arm - S.A. - L.H.	
1221900	Bearing		7664195	Grinding Wheel Arm - S.A. - R.H.	
1222193	Retaining Ring		7664500	Adjusting Spring	2
1246000	Idler Gear		7666193	Bronze Bushing	2
1247000	Idler Gear Shaft		7672000	Stud	2
1251000	Bushing (For Presserfoot Rod)		7673095	Support Spring - Inner - R.H.	
1265000	Drive Belt		7673195	Outer Pressure Spring - R.H.	
1266493	Retaining Ring		7674094	Support Spring - L.H. - Inner	
1270100	1" (25.4 mm) Emery Wheel (Medium - 120 K)		7674194	Outer Pressure Spring - L.H.	
1270200	1" (25.4 mm) Emery Wheel (Coarse - 80 K)		7682000	Wear Plate 5" - 8" (127 mm - 203 mm)	
1274000	Presserfoot Bushing		7682100	Wear Plate 10" (254 mm)	
1286000	Idler Pulley		7693000	Gasket (Not Shown)	
1286193	Bearing		9900032	Screw	2
1286200	Spacer - Idler Pulley		9900117	Screw	
4548593	Emery Wheel Washer		9900121	Screw	
7648050	Gear Shaft Assembly		9900307	Fl. Hd. Screw	2
7650100	Drive Pulley		9900338	Flt. Hd. Screw	2
7654000	Housing - Grinding Head		9900800	Pan Hd. Screw	2
7654200	Stop Bracket		9901280	Socket Hd. Cap Screw	2
7656000	Grinding Wheel Shaft		9901845	Socket Hd. Set Screw	
7656056	Shaft & Pulley S.A.	2	9901928	Lock Washer	4
7657000	Pulley		9901930	Lock Washer	2
7658200	1-3/8" (34.9 mm) Emery Wheel (Coarse - 80 K)		9901932	Lock Washer	
7658300	1-3/8" (34.9 mm) Emery Wheel (Medium - 120 K)		9902400	Heli-Coil Insert	2