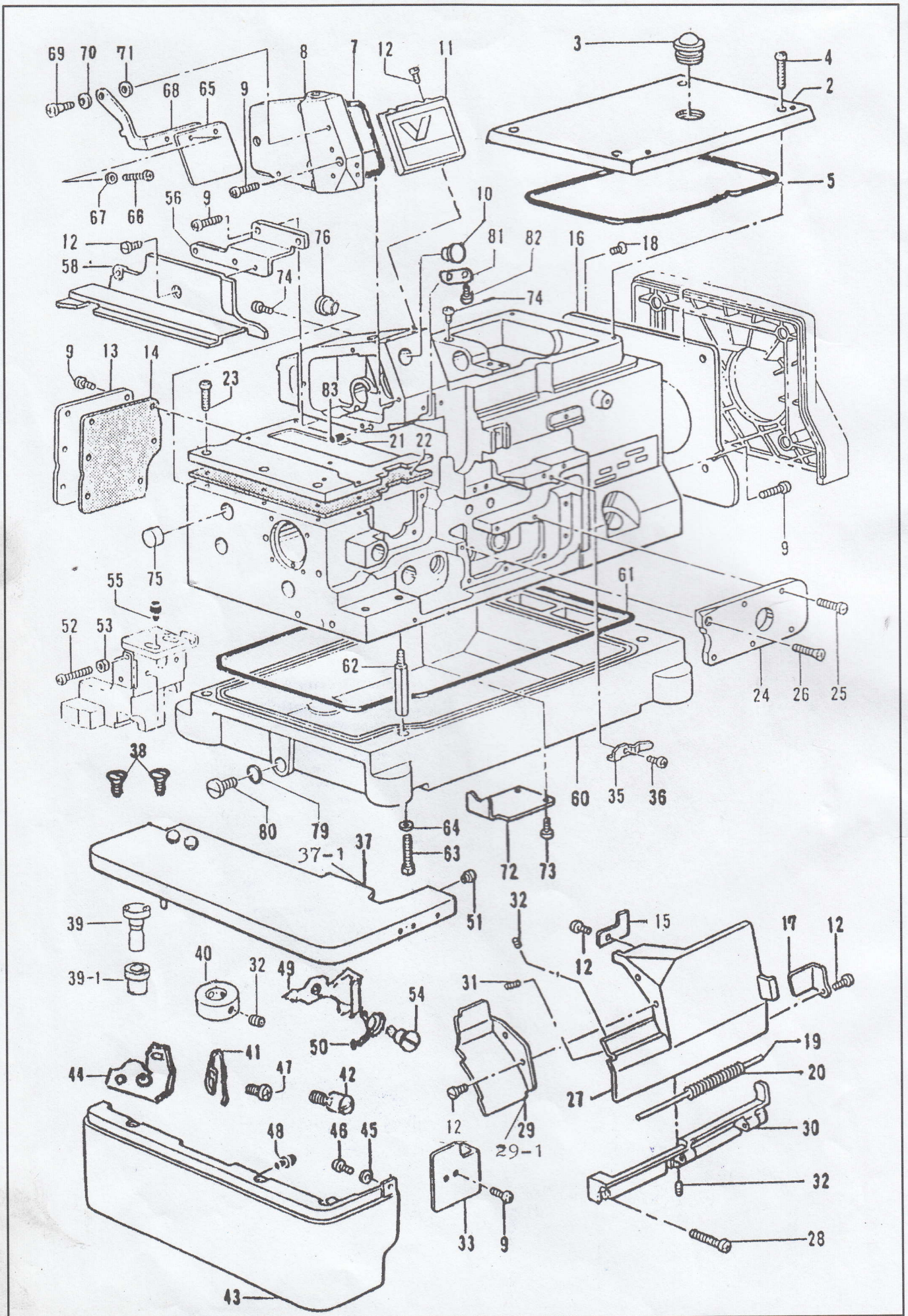


A. 機殼機構 / Machine body / Maschinengehäuse /  
 Corps de la machine / Cuerpo de la máquina

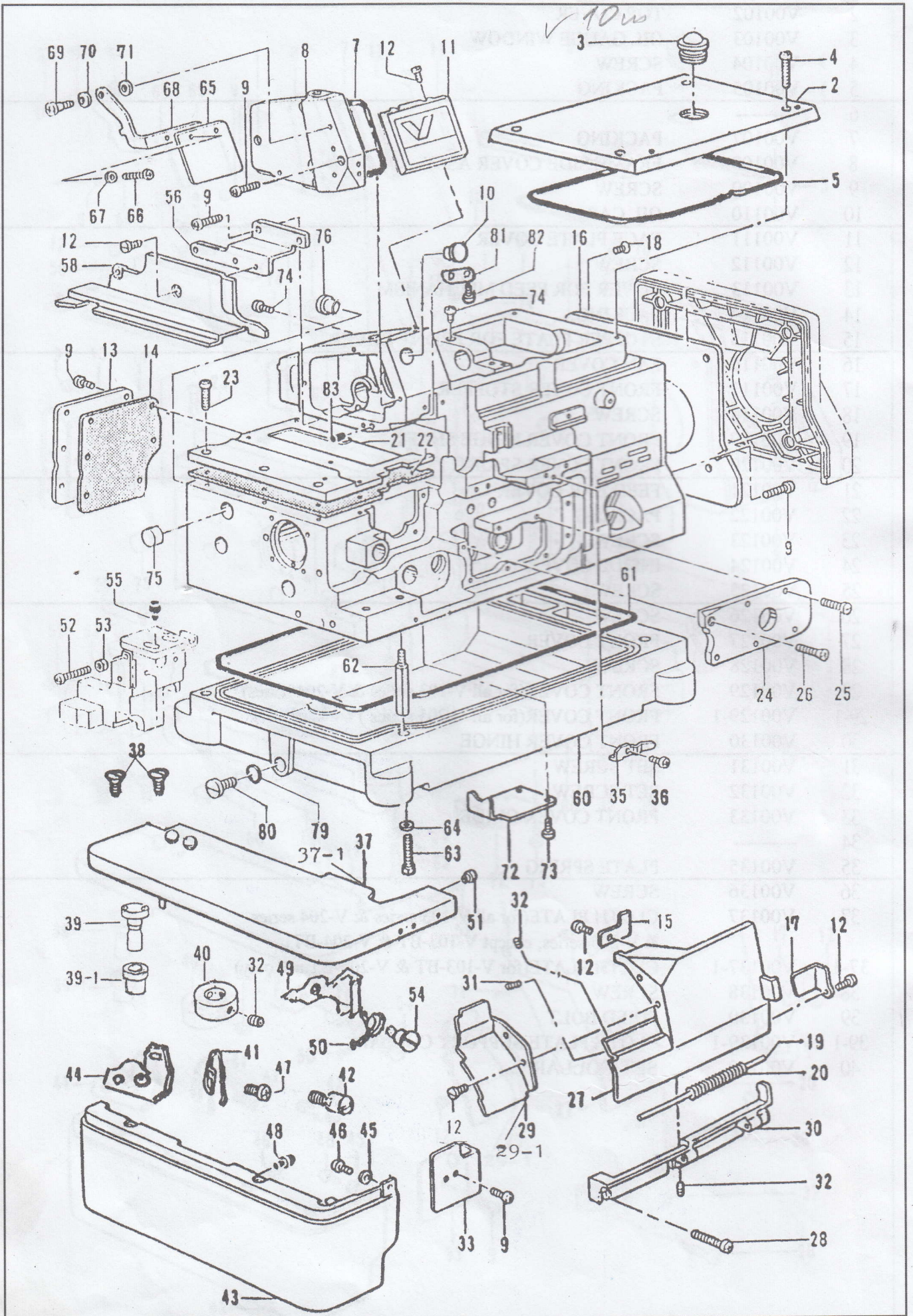




	<u>PART NO.</u>	<u>DESCRIPTION</u>
1	-----	
2	V00102	TOP COVER
3	V00103	OIL GAUGE WINDOW
4	V00104	SCREW
5	V00105	PACKING
6	-----	
7	V00107	PACKING
8	V00108	FRAME SIDE COVER ASSY
9	V00109	SCREW
10	V00110	OIL CAP
11	V00111	FACE PLATE COVER
12	V00112	SCREW
13	V00113	COVER FOR FEED MECHANISM
14	V00114	PACKING
15	V00115	STOPPER PLATE FOR FRONT COVER
16	V00116	FAN COVER
17	V00117	FRONT COVER STOPPER
18	V00118	SCREW
19	V00119	FRONT COVER HINGE SHAFT
20	V00120	FRONT COVER SPRING
21	V00121	FEED BAR COVER
22	V00122	PACKING
23	V00123	SCREW
24	V00124	INSIDE COVER
25	V00125	SCREW
26	V00126	SCREW
27	V00127	FRONT COVER
28	V00128	SCREW
29	V00129	FRONT COVER(for all V-103 series & V-204 series)
29-1	V00129-1	FRONT COVER(for all V-205 series )
30	V00130	FRONT COVER HINGE
31	V00131	SET SCREW
32	V00132	SET SCREW
33	V00133	FRONT COVER GUIDE
34	-----	
35	V00135	PLATE SPRING
36	V00136	SCREW
37	V00137	CLOTH PLATE(for all V-103 series & V-204 series & V-205 series, except V-103-BT & V-204-BT)
37-1	V00137-1	CLOTH PLATE(for V-103-BT & V-204-BT use only)
38	V00138	SCREW
39	V00139	FIXED BOLT
39-1	V00139-1	CLOTH PLATE SUPPORT COLLAR
40	V00140	SET COLLAR



A. 機殻機構 / Machine body / Maschinengehäuse /  
 Corps de la machine / Cuerpo de la máquina

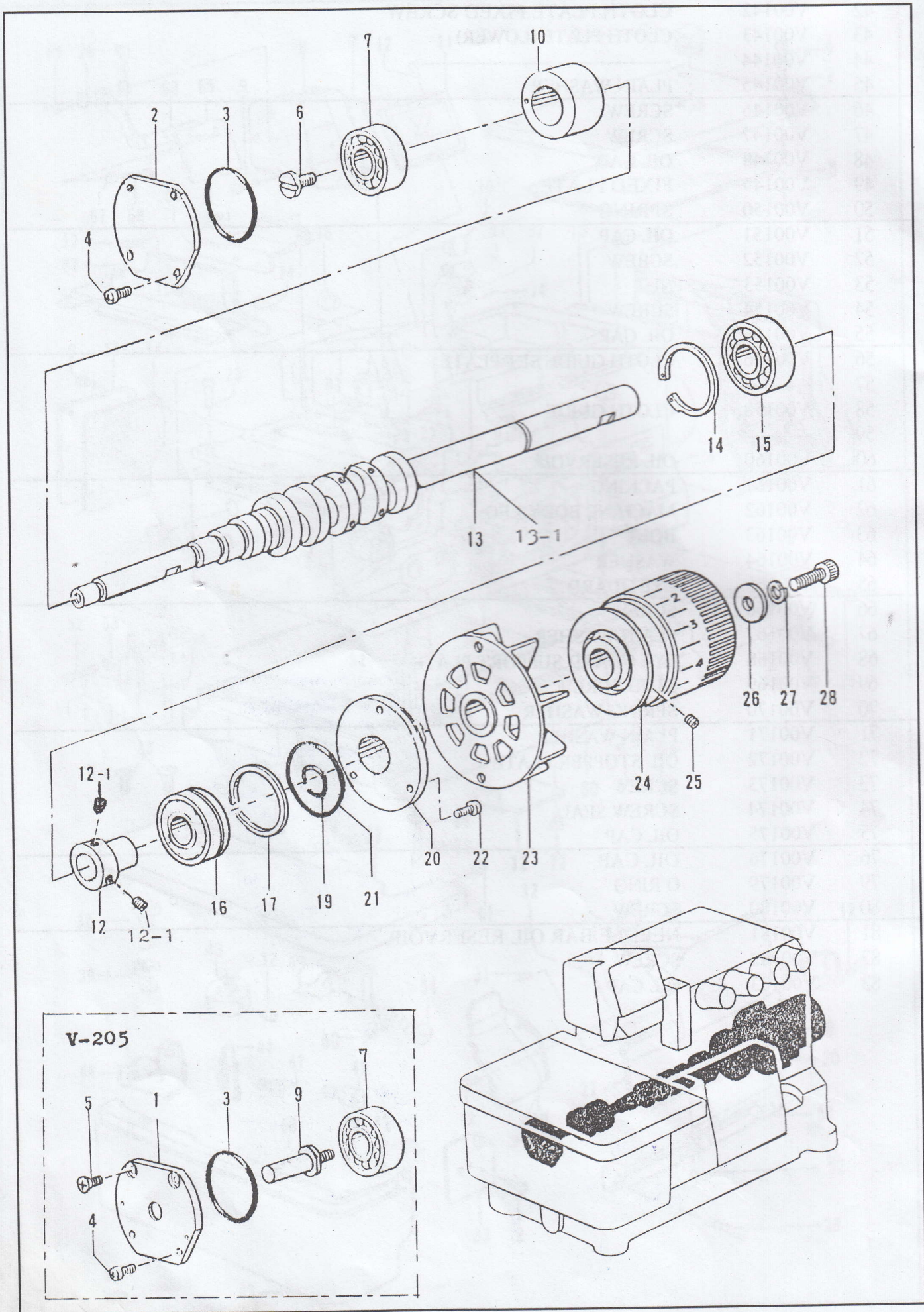




	<u>PART NO.</u>	<u>DESCRIPTION</u>
41	V00141	SPRING
42	V00142	CLOTH PLATE FIXED SCREW
43	V00143	CLOTH PLATE (LOWER)
44	V00144	-----
45	V00145	PLAIN WASHER
46	V00146	SCREW
47	V00147	SCREW
48	V00148	OIL CAP
49	V00149	FIXED PLATE
50	V00150	SPRING
51	V00151	OIL CAP
52	V00152	SCREW
53	V00153	NUT
54	V00154	SCREW
55	V00155	OIL CAP
56	V00156	CLOTH GUIDE SET PLATE
57	-----	
58	V00158	CLOTH GUIDE
59	-----	
60	V00160	OIL RESERVOIR
61	V00161	PACKING
62	V00162	MACHINE BODY LEG
63	V00163	BOLT
64	V00164	WASHER
65	V00165	EYE GUARD
66	V00166	SCREW
67	V00167	PLAIN WASHER
68	V00168	EYE GUARD SUPPORT PLATE
69	V00169	STUD SCREW
70	V00170	SPRING WASHER
71	V00171	PLAIN WASHER
72	V00172	OIL STOPPER PLATE
73	V00173	SCREW
74	V00174	SCREW SEAL
75	V00175	OIL CAP
76	V00176	OIL CAP
79	V00179	O RING
80	V00180	SCREW
81	V00181	NEEDLE BAR OIL RESERVOIR
82	V00182	SCREW
83	V00183	OIL CAP



B. 主軸機構 / Crank shaft mechanism / Kurbelwelle /  
 Mécanisme du vilebrequin / Mecanismo del cigüeñal

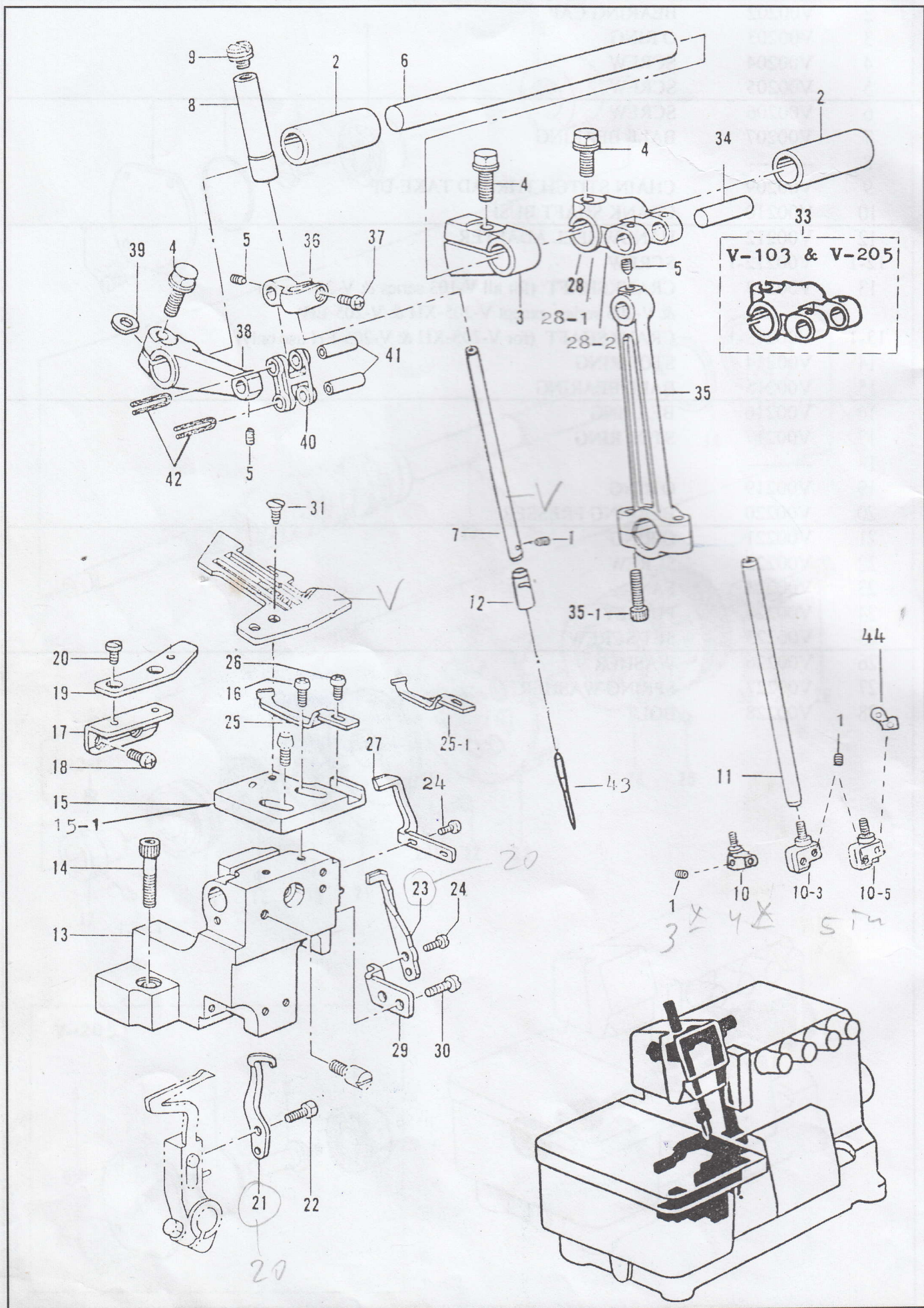




	<u>PART NO.</u>	<u>DESCRIPTION</u>
1	V00201	BEARING CAP
2	V00202	BEARING CAP
3	V00203	O RING
4	V00204	SCREW
5	V00205	SCREW
6	V00206	SCREW
7	V00207	BALL BEARING
8	-----	
9	V00209	CHAIN STITCH THREAD TAKE-UP
10	V00210	CRANK SHAFT BUSH
12	V00212	HANDWHEEL ADAPTER
12-1	V00212-1	SCREW
13	V00213	CRANKSHAFT (for all V-103 series & V-204 series & V-205 series, except V-205-XH & V-205-EH)
13-1	V00213-1	CRANKSHAFT (for V-205-XH & V-205-EH use only)
14	V00214	STOP RING
15	V00215	BALL BEARING
16	V00216	BEARING
17	V00217	STOP RING
18	-----	
19	V00219	O RING
20	V00220	BEARING PRESSER
21	V00221	O RING
22	V00222	SCREW
23	V00223	FAN
24	V00224	PULLEY
25	V00225	SET SCREW
26	V00226	WASHER
27	V00227	SPRING WASHER
28	V00228	BOLT



C. 針棒機構 / Needle bar mechanism / Nadelstangenvorrichtung /  
 Mécanisme de la barre à aiguille / Mecanismo del barra de aguja



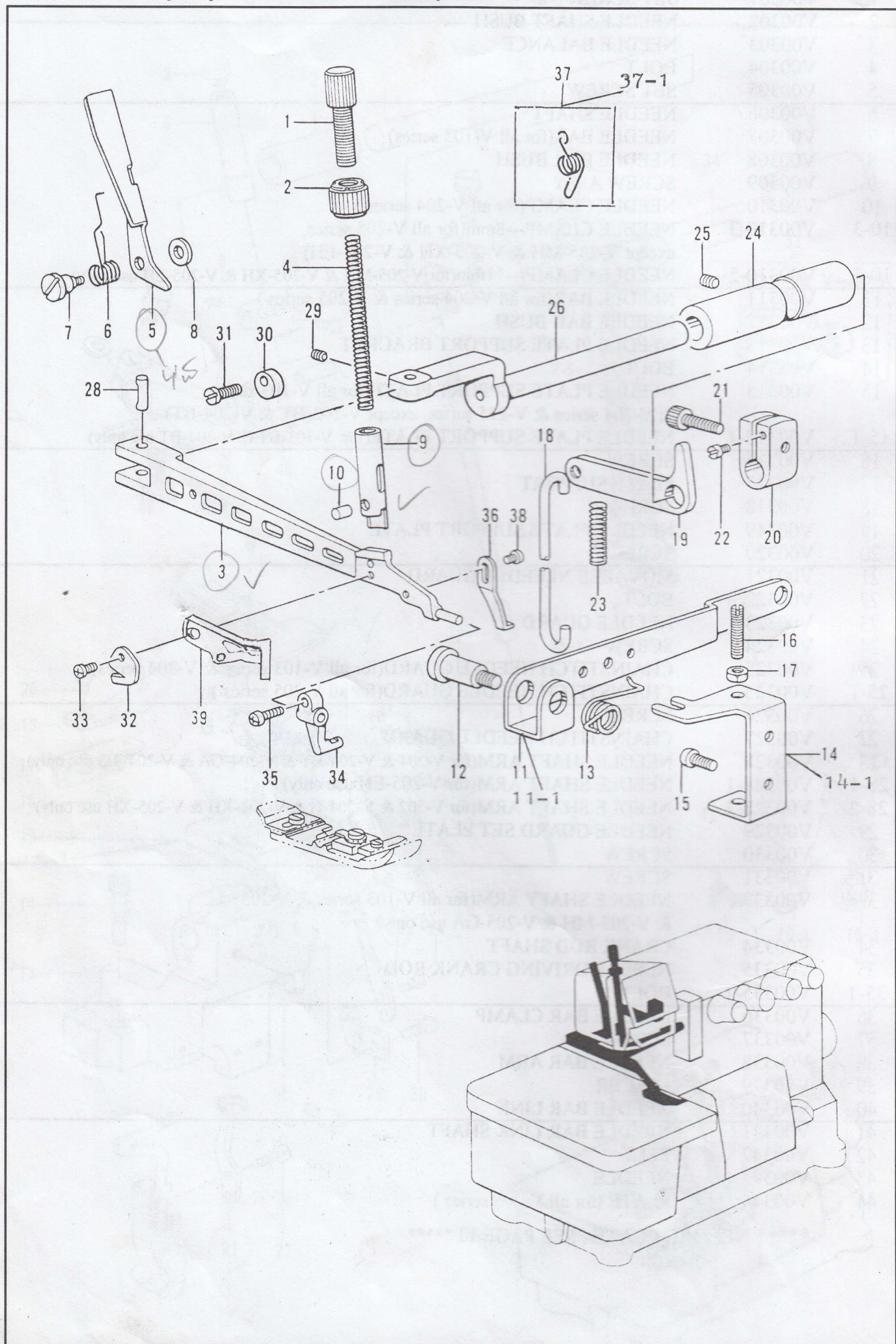


PART NO.	DESCRIPTION
1	V00301 SET SCREW
2	V00302 NEEDLE SHAFT BUSH
3	V00303 NEEDLE BALANCE
4	V00304 BOLT
5	V00305 SET SCREW
6	V00306 NEEDLE SHAFT
7	V00307 NEEDLE BAR(for all V-103 series)
8	V00308 NEEDLE BAR BUSH
9	V00309 SCREW ASSY
10	V00310 NEEDLE CLAMP(for all V-204 series )
10-3	V00310-3 NEEDLE CLAMP---8mm(for all V-205 series, except V-205-MH & V-205-XH & V-205-EH)
10-5	V00310-5 NEEDLE CLAMP---11mm(for V-205-MH & V-205-XH & V-205-EH use only)
11	V00311 NEEDLE BAR(for all V-204 series & V-205 series )
12	V00312 NEEDLE BAR BUSH
13	V00313 NEEDLE PLATE SUPPORT BRACKET
14	V00314 BOLT
15	V00315 NEEDLE PLATE SUPPORT PLATE(for all V-103 series & V-204 series & V-205 series, except V-103-BT & V-204-BT)
15-1	V00315-1 NEEDLE PLATE SUPPORT PLATE(for V-103-BT & V-204-BT use only)
16	V00316 SCREW
17	V00317 PLATE SUPPORT
18	V00318 SCREW
19	V00319 NEEDLE PLATE SUPPORT PLATE
20	V00320 SCREW
21	V00321 MOVABLE NEEDLE GUARD
22	V00322 BOLT
23	V00323 NEEDLE GUARD
24	V00324 SCREW
25	V00325 CHAINSTITCH NEEDLE GUARD(for all V-103 series & V-204 series)
25-1	V00325-1 CHAINSTITCH NEEDLE GUARD(for all V-205 series )
26	V00326 SCREW
27	V00327 CHAINSTITCH NEEDLE GUARD
28	V00328 NEEDLE SHAFT ARM(for V-204 & V-204-BT & V-204-GA & V-204-TG use only)
28-1	V00328-1 NEEDLE SHAFT ARM(for V-205-EH use only)
28-2	V00328-2 NEEDLE SHAFT ARM(for V-502 & V-204-H & V-204-XH & V-205-XH use only)
29	V00329 NEEDLE GUARD SET PLATE
30	V00330 SCREW
31	V00331 SCREW
33	V00333 NEEDLE SHAFT ARM(for all V-103 series & V-205 & V-205-MH & V-205-GA use only)
34	V00334 CRANK ROD SHAFT
35	V00335 NEEDLE DRIVING CRANK ROD
35-1	V00335-1 BOLT
36	V00336 NEEDLE BAR CLAMP
37	V00337 SCREW
38	V00338 NEEDLE BAR ARM
39	V00339 SPACER
40	V00340 NEEDLE BAR LINK
41	V00341 NEEDLE BAR LINK SHAFT
42	V00342 FELT
43	V00343 NEEDLE
44	V00344 PLATE (for all V-205 series )

\*\*\*\*\* NEEDLE PLATE : SEE PAGE 13 \*\*\*\*\*



D. 壓腳機構 / Presser foot mechanism / Stoffdrückerfuß /  
 Mécanisme du pied presseur / Mecanismo del prensa telas



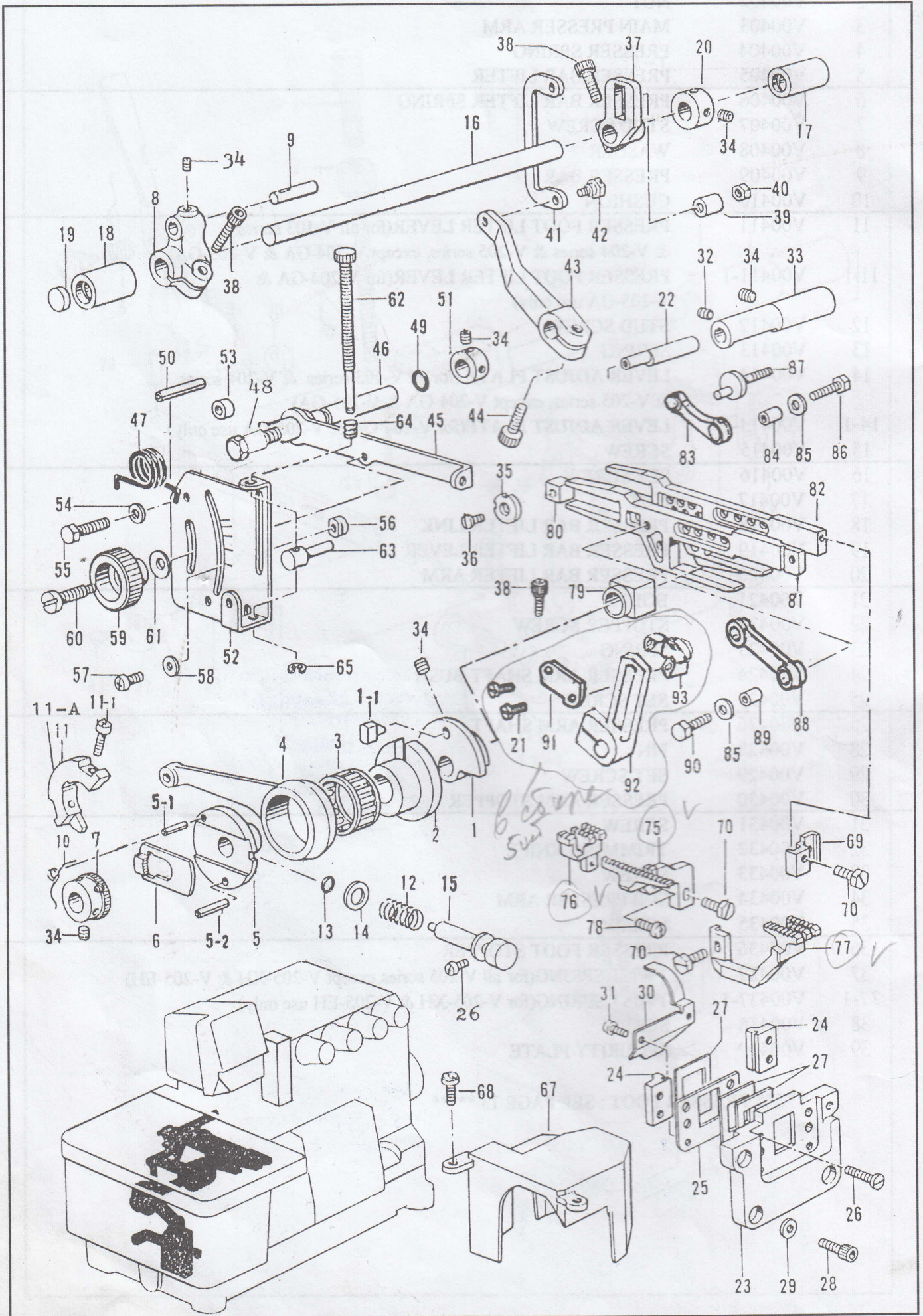


	<u>PART NO.</u>	<u>DESCRIPTION</u>
1	V00401	ADJUST SCREW
2	V00402	NUT
3	V00403	MAIN PRESSER ARM
4	V00404	PRESSER SPRING
5	V00405	PRESSER BAR LIFTER
6	V00406	PRESSER BAR LIFTER SPRING
7	V00407	STUD SCREW
8	V00408	WASHER
9	V00409	PRESSER BAR
10	V00410	CUSHION
11	V00411	PRESSER FOOT LIFTER LEVER(for all V-103 series & V-204 series & V-205 series, except V-204-GA & V-205-GA)
11-1	V00411-1	PRESSER FOOT LIFTER LEVER(for V-204-GA & V-205-GA use only)
12	V00412	STUD SCREW
13	V00413	SPRING
14	V00414	LEVER ADJUST PLATE (for all V-103 series & V-204 series & V-205 series, except V-204-GA & V-205-GA)
14-1	V00414-1	LEVER ADJUST PLATE(for V-204-GA & V-205-GA use only)
15	V00415	SCREW
16	V00416	SET SCREW
17	V00417	NUT
18	V00418	PRESSER BAR LIFTER LINK
19	V00419	PRESSER BAR LIFTER LEVER
20	V00420	PRESSER BAR LIFTER ARM
21	V00421	BOLT
22	V00422	STOPPER SCREW
23	V00423	SPRING
24	V00424	PRESSER ARM SHAFT BUSH
25	V00425	SET SCREW
26	V00426	PRESSER ARM SHAFT
28	V00428	PIN
29	V00429	SET SCREW
30	V00430	PRESSER ARM STOPPER
31	V00431	SCREW
32	V00432	TRIMMING KNIFE
33	V00433	SCREW
34	V00434	SUB PRESSER ARM
35	V00435	SCREW
36	V00436	PRESSER FOOT STOPPER
37	V00437	TWIST SPRING(for all V-205 series,except V-205-XH & V-205-EH)
37-1	V00437-1	TWIST SPRING(for V-205-XH & V-205-EH use only)
38	V00438	SCREW
39	V00439	SECURITY PLATE

\*\*\*\*\* PRESSER FOOT : SEE PAGE 13 \*\*\*\*\*



E. 送料機構 / Feed mechanism / Transportvorrichtung /  
 Mécanisme de l'entraînement / Mecanismo de la alimentación

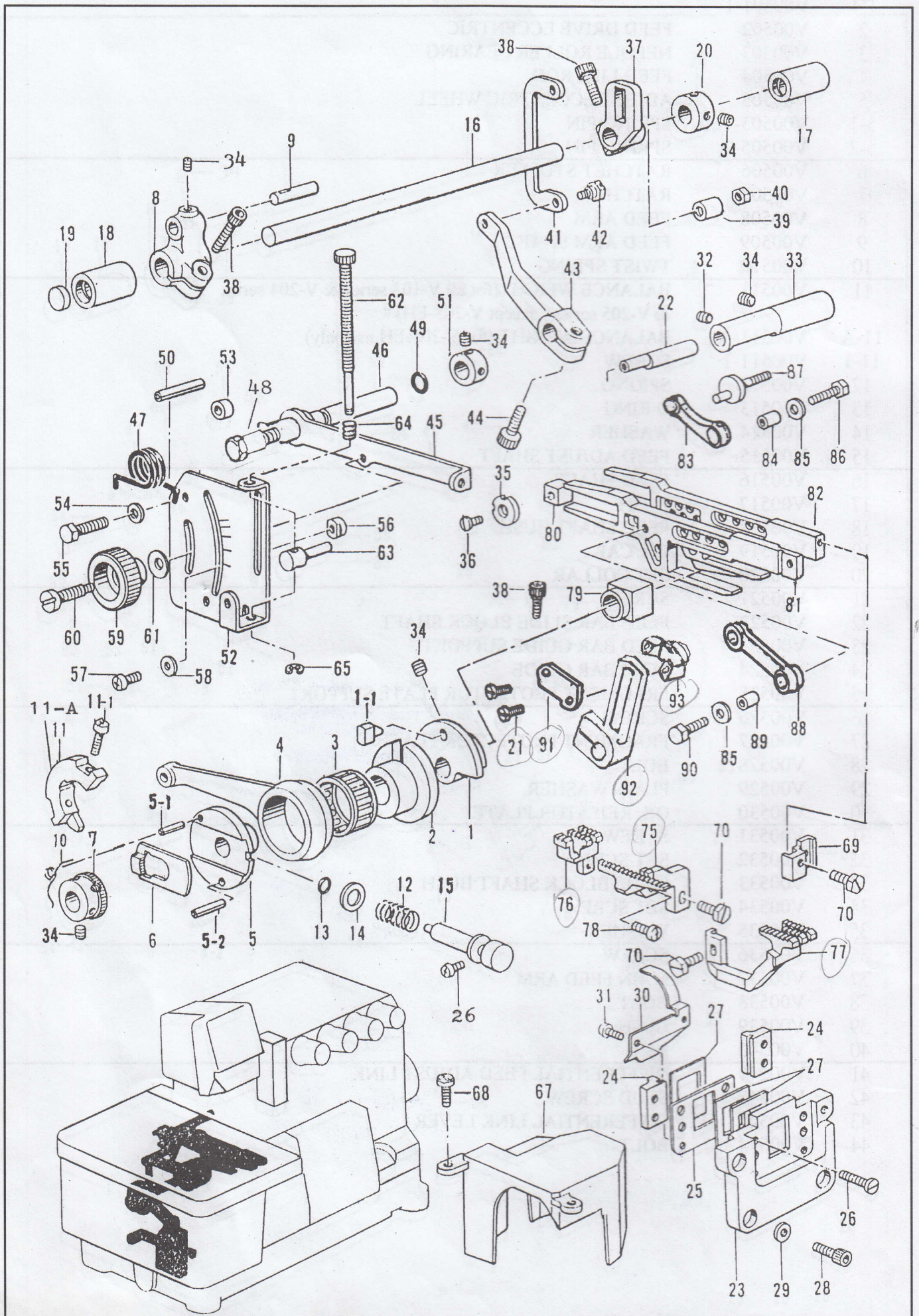




	<u>PART NO.</u>	<u>DESCRIPTION</u>
1	V00501	ECCENTRIC GUIDE SUPPORT
1-1	V00501-1	
2	V00502	FEED DRIVE ECCENTRIC
3	V00503	NEEDLE ROLLER BEARING
4	V00504	FEED LIFT ROD
5	V00505	ADJUST ECCENTRIC WHEEL
5-1	V00505-1	SPRING PIN
5-2	V00505-2	SPRING PIN
6	V00506	RATCHET STOPPER
7	V00507	RATCHET
8	V00508	FEED ARM
9	V00509	FEED ARM SHAFT
10	V00510	TWIST SPRING
11	V00511	BALANCE WEIGHT(for all V-103 series & V-204 series & V-205 series , except V-205-EH)
11-A	V00511-A	BALANCE WEIGHT (for V-205-EH use only)
11-1	V00511-1	SCREW
12	V00512	SPRING
13	V00513	O RING
14	V00514	WASHER
15	V00515	FEED ADJUST SHAFT
16	V00516	FEED SHAFT
17	V00517	BUSH
18	V00518	FEED SHAFT BUSH
19	V00519	OIL CAP
20	V00520	SET COLLAR
21	V00521	SCREW
22	V00522	FEED BAR SLIDE BLOCK SHAFT
23	V00523	FEED BAR GUIDE SUPPORT
24	V00524	FEED BAR GUIDE
25	V00525	FRAGMENT PROTECTOR PLATE SUPPORT
26	V00526	SCREW
27	V00527	FRAGMENT PROTECTOR PLATE
28	V00528	BOLT
29	V00529	PLAIN WASHER
30	V00530	OIL REJECTOR PLATE
31	V00531	SCREW
32	V00532	SET SCREW
33	V00533	SLIDE BLOCK SHAFT BUSH
34	V00534	SET SCREW
35	V00535	WASHER
36	V00536	SCREW
37	V00537	MAIN FEED ARM
38	V00538	BOLT
39	V00539	BUSH
40	V00540	NUT
41	V00541	DIFFERENTIAL FEED ADJUST LINK
42	V00542	STUD SCREW
43	V00543	DIFFERENTIAL LINK LEVER
44	V00544	BOLT



E. 送料機構 / Feed mechanism / Transportvorrichtung /  
 Mécanisme de l'entraînement / Mecanismo de la alimentación

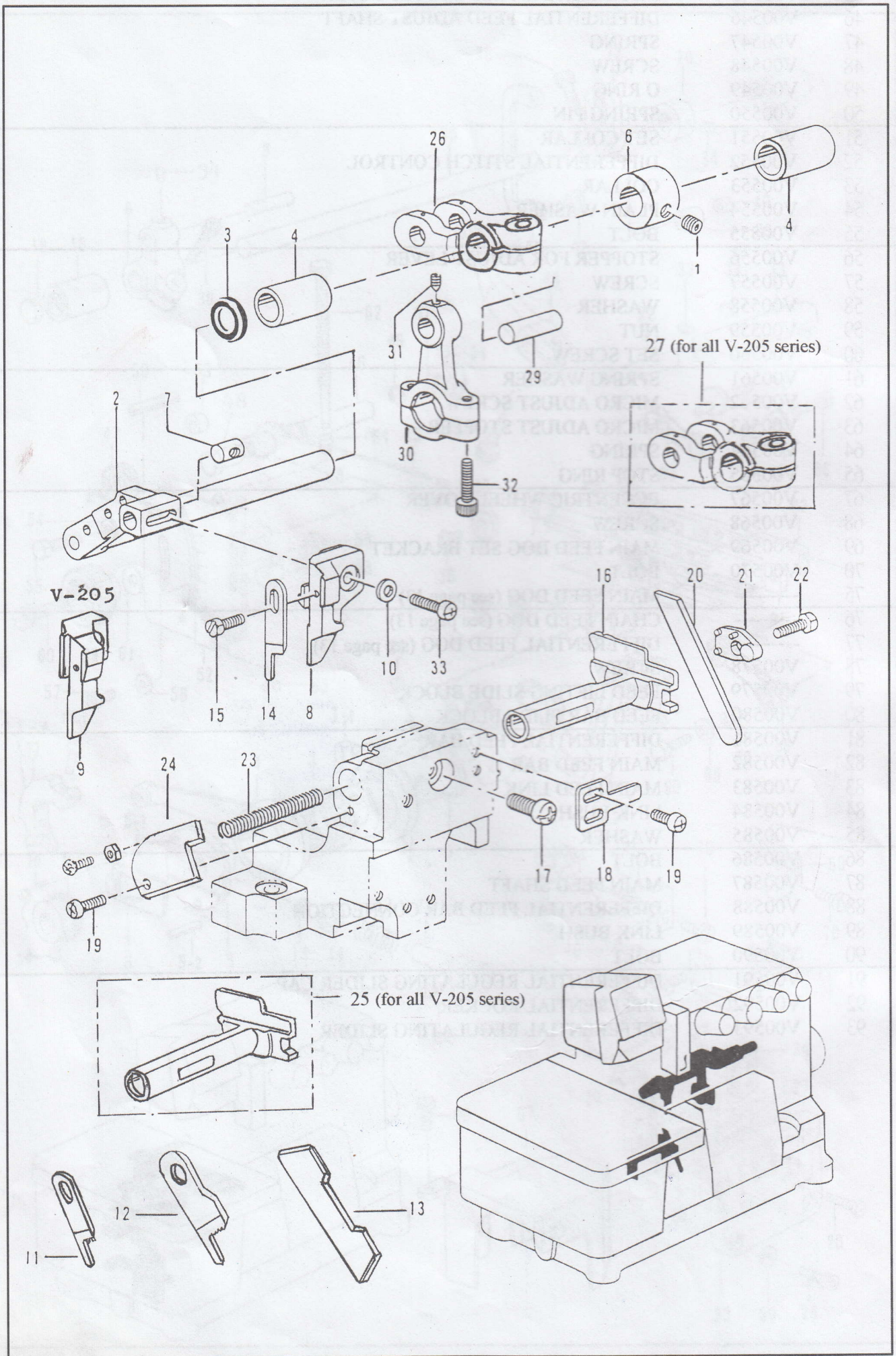




<u>PART NO.</u>	<u>DESCRIPTION</u>
45	V00545 DIFFERENTIAL FEED ADJUST LEVER
46	V00546 DIFFERENTIAL FEED ADJUST SHAFT
47	V00547 SPRING
48	V00548 SCREW
49	V00549 O RING
50	V00550 SPRING PIN
51	V00551 SET COLLAR
52	V00552 DIFFERENTIAL STITCH CONTROL
53	V00553 COLLAR
54	V00554 PLAIN WASHER
55	V00555 BOLT
56	V00556 STOPPER FOR ADJUST LEVER
57	V00557 SCREW
58	V00558 WASHER
59	V00559 NUT
60	V00560 SET SCREW
61	V00561 SPRING WASHER
62	V00562 MICRO ADJUST SCREW
63	V00563 MICRO ADJUST STOPPER
64	V00564 SPRING
65	V00565 STOP RING
67	V00567 ECCENTRIC WHEEL COVER
68	V00568 SCREW
69	V00569 MAIN FEED DOG SET BRACKET
70	V00570 BOLT
75	----- MAIN FEED DOG (see page 13)
76	----- CHAIN FEED DOG (see page 13)
77	----- DIFFERENTIAL FEED DOG (see page 13)
78	V00578 SCREW
79	V00579 FEED LIFTING SLIDE BLOCK
80	V00580 FEED BAR SLIDE BLOCK
81	V00581 DIFFERENTIAL FEED BAR
82	V00582 MAIN FEED BAR
83	V00583 MAIN FEED LINK
84	V00584 LINK BUSH
85	V00585 WASHER
86	V00586 BOLT
87	V00587 MAIN FEED SHAFT
88	V00588 DIFFERENTIAL FEED BAR CONNECTION
89	V00589 LINK BUSH
90	V00590 BOLT
91	V00591 DIFFERENTIAL REGULATING SLIDER CAP
92	V00592 DIFFERENTIAL ROCKER
93	V00593 DIFFERENTIAL REGULATING SLIDER



F. 上・下切布機構 / Knife mechanism / Messer /  
 Mécanisme du couteau / Mecanismo del cuchilla

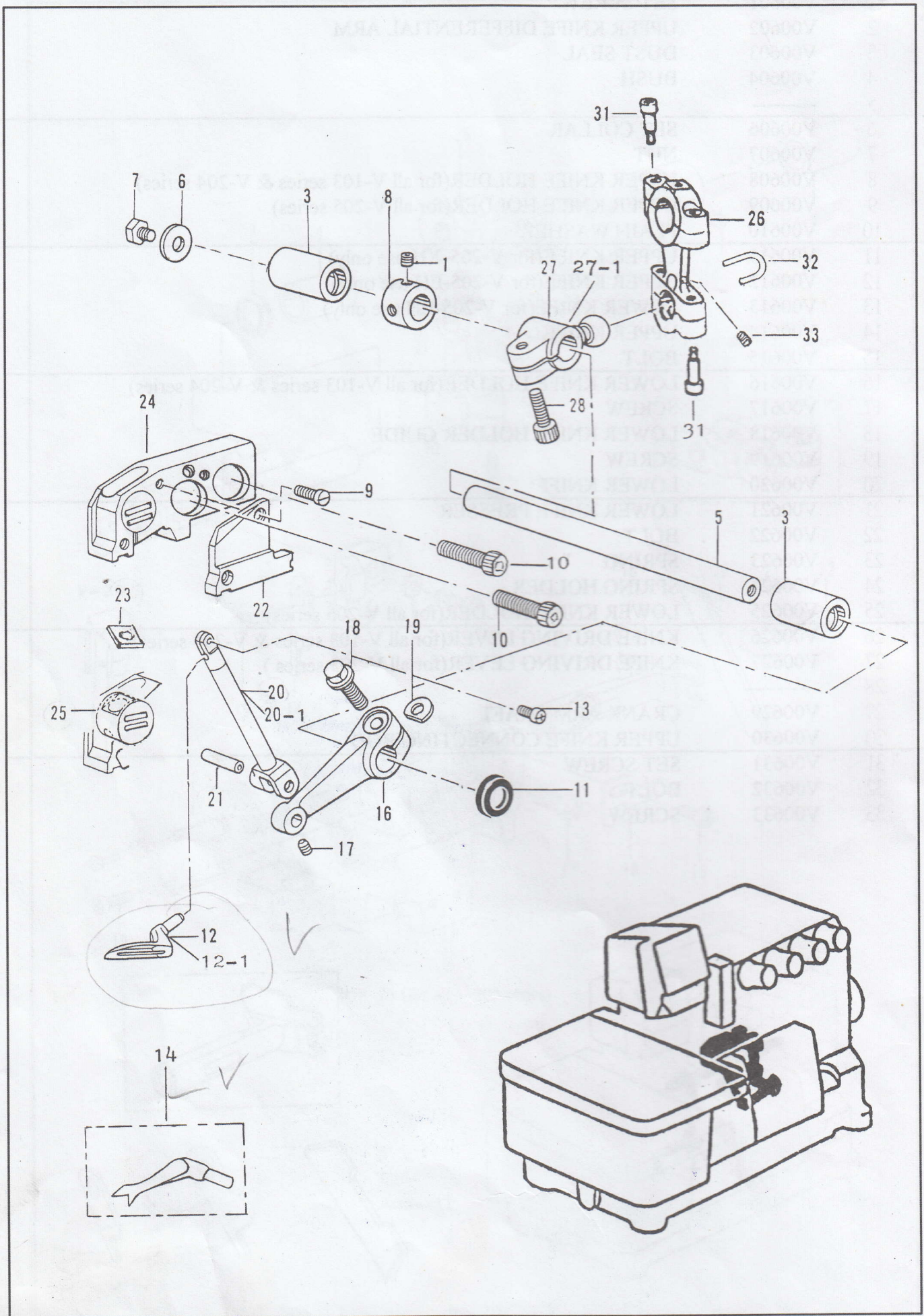




PART NO.	DESCRIPTION
1	V00601 SET SCREW
2	V00602 UPPER KNIFE DIFFERENTIAL ARM
3	V00603 DUST SEAL
4	V00604 BUSH
5	-----
6	V00606 SET COLLAR
7	V00607 NUT
8	V00608 UPPER KNIFE HOLDER(for all V-103 series & V-204 series)
9	V00609 UPPER KNIFE HOLDER(for all V-205 series)
10	V00610 PLAIN WASHER
11	V00611 UPPER KNIFE(for V-205-XH use only)
12	V00612 UPPER KNIFE(for V-205-EH use only)
13	V00613 LOWER KNIFE(for V-205-EH use only)
14	V00614 UPPER KNIFE
15	V00615 BOLT
16	V00616 LOWER KNIFE HOLDER(for all V-103 series & V-204 series)
17	V00617 SCREW
18	V00618 LOWER KNIFE HOLDER GUIDE
19	V00619 SCREW
20	V00620 LOWER KNIFE
21	V00621 LOWER KNIFE PRESSER
22	V00622 BOLT
23	V00623 SPRING
24	V00624 SPRING HOLDER
25	V00625 LOWER KNIFE HOLDER(for all V-205 series)
26	V00626 KNIFE DRIVING LEVER(for all V-103 series & V-204 series)
27	V00627 KNIFE DRIVING LEVER(for all V-205 series )
28	-----
29	V00629 CRANK ARM SHAFT
30	V00630 UPPER KNIFE CONNECTING ROD
31	V00631 SET SCREW
32	V00632 BOLT
33	V00633 SCREW



G. 上勾針機構 / Over looper mechanism / Oberen Greifer /  
 Mécanisme du boucleur supérieur / Mecanismo del presilladora superior

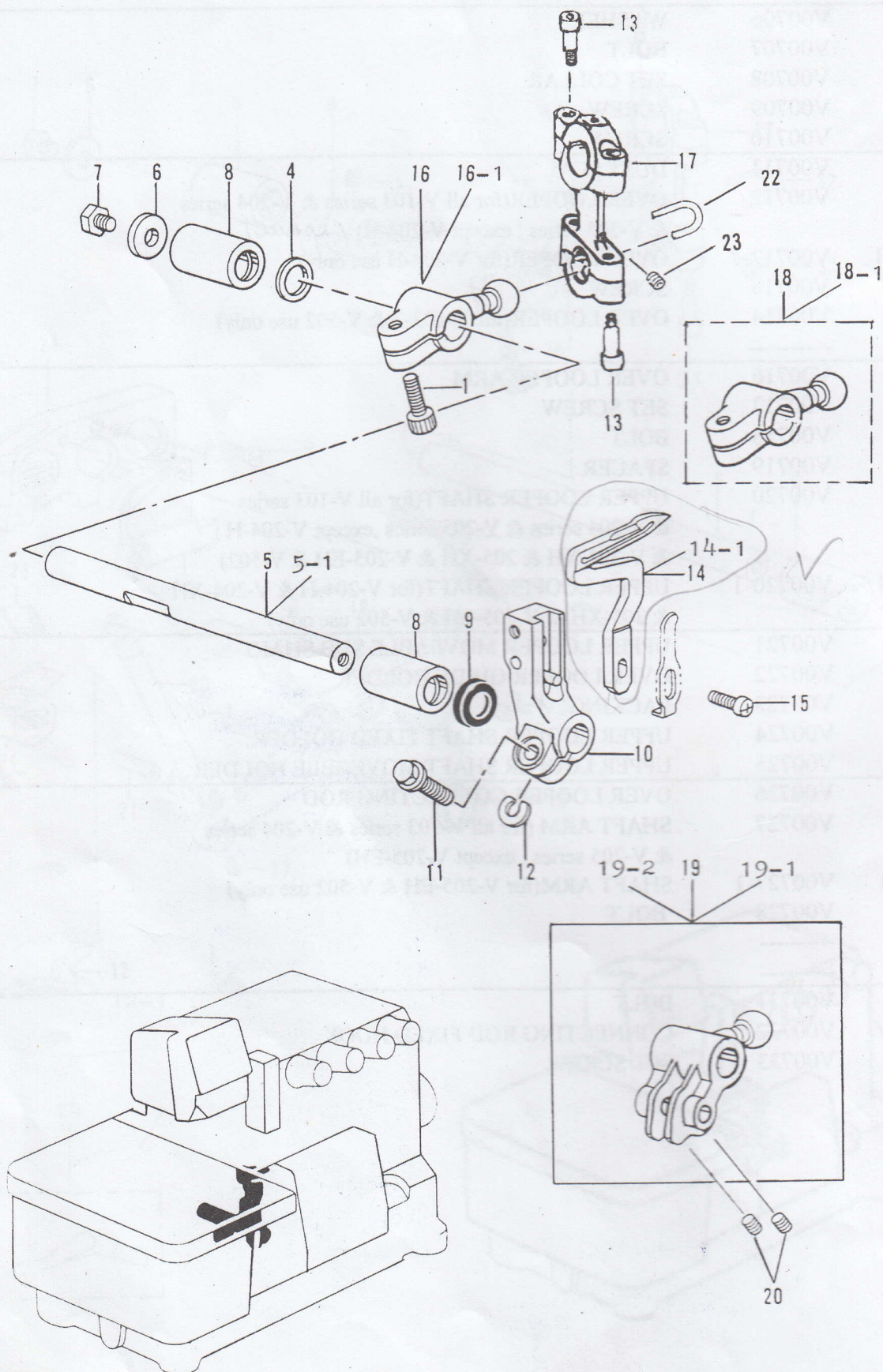




	<u>PART NO.</u>	<u>DESCRIPTION</u>
1	V00701	SET SCREW
2	-----	
3	V00703	BUSH
4	-----	
5	V00705	OVER LOOPER SHAFT
6	V00706	WASHER
7	V00707	BOLT
8	V00708	SET COLLAR
9	V00709	SCREW
10	V00710	SCREW
11	V00711	DUST SEAL
12	V00712	OVER LOOPER(for all V-103 series & V-204 series & V-205 series , except V-204-H) <i>(capac)</i>
12-1	V00712-1	OVER LOOPER(for V-204-H use only)
13	V00713	SCREW
14	V00714	OVER LOOPER(for V-103-2 & V-502 use only)
15	-----	
16	V00716	OVER LOOPER ARM
17	V00717	SET SCREW
18	V00718	BOLT
19	V00719	SPACER
20	V00720	UPPER LOOPER SHAFT(for all V-103 series & V-204 series & V-205 series ,except V-204-H & V-204-XH & 205-XH & V-205-EH & V-502)
20-1	V00720-1	UPPER LOOPER SHAFT(for V-204-H & V-204-XH & 205-XH & V-205-EH & V-502 use only)
21	V00721	UPPER LOOPER MOVEABLE SUB SHAFT
22	V00722	OVER LOOPER GUIDE HOLDER
23	V00723	PACKING <i>x 2</i>
24	V00724	UPPER LOOPER SHAFT FIXED HOLDER
25	V00725	UPPER LOOPER SHAFT MOVEABLE HOLDER
26	V00726	OVER LOOPER CONNECTING ROD
27	V00727	SHAFT ARM (for all V-103 series & V-204 series & V-205 series , except V-205-EH)
27-1	V00727-1	SHAFT ARM(for V-205-EH & V-502 use only)
28	V00728	BOLT
29	-----	
30	-----	
31	V00731	BOLT
32	V00732	CONNECTING ROD FIXED HOOK
33	V00733	SET SCREW



H. 下勾針機構 / Under looper mechanism / Unterer Greifer /  
 Mécanisme du boucleur inférieur / Mecanismo del presilladora inferior

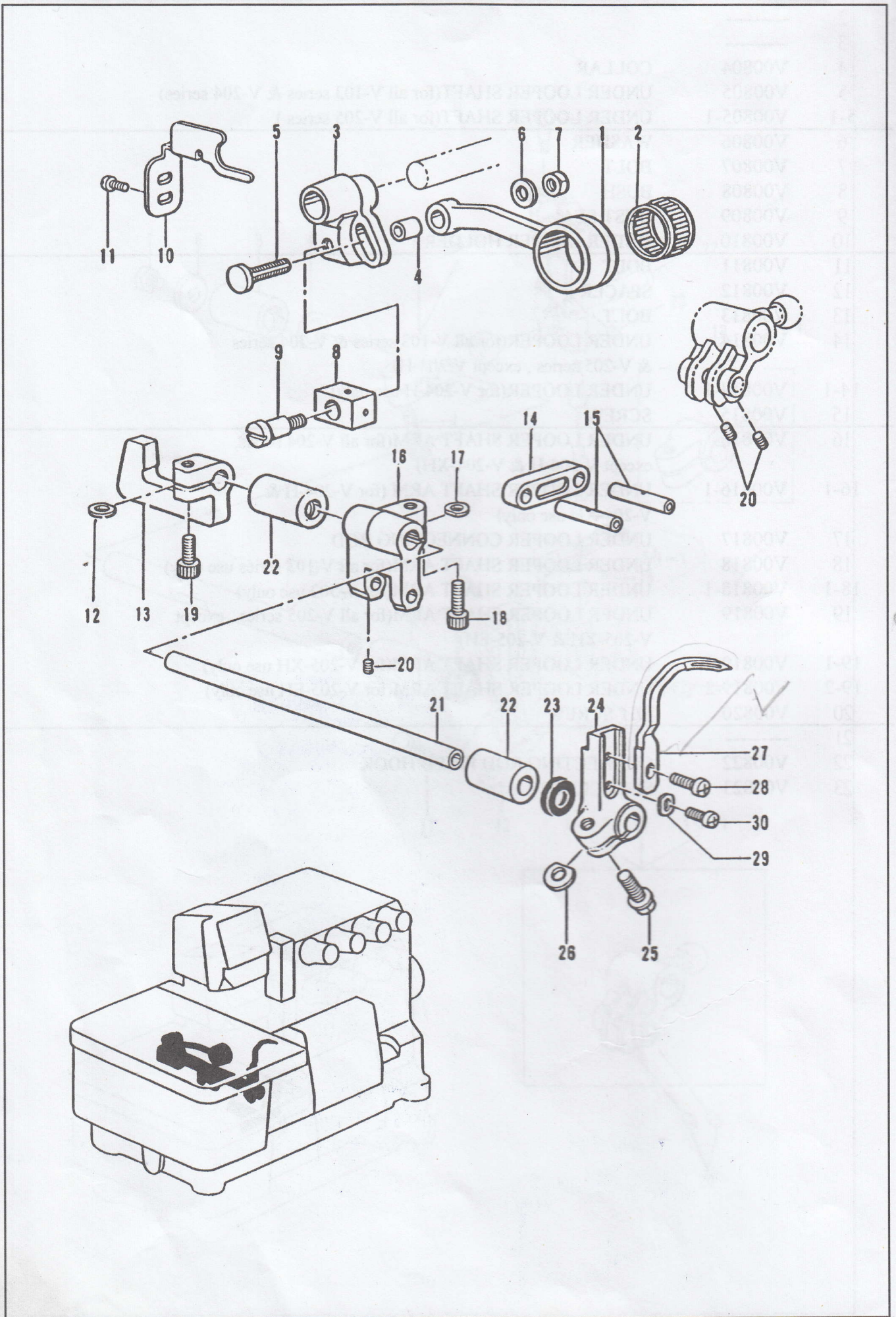




	<u>PART NO.</u>	<u>DESCRIPTION</u>
1	V00801	BOLT
2	-----	
3	-----	
4	V00804	COLLAR
5	V00805	UNDER LOOPER SHAFT(for all V-103 series & V-204 series)
5-1	V00805-1	UNDER LOOPER SHAFT(for all V-205 series )
6	V00806	WASHER
7	V00807	BOLT
8	V00808	BUSH
9	V00809	DUST SEAL
10	V00810	UNDER LOOPER HOLDER
11	V00811	BOLT
12	V00812	SPACER
13	V00813	BOLT
14	V00814	UNDER LOOPER(for all V-103 series & V-204 series & V-205 series , except V-204-H)
14-1	V00814-1	UNDER LOOPER(for V-204-H use only)
15	V00815	SCREW
16	V00816	UNDER LOOPER SHAFT ARM(for all V-204 series, except V-204-H & V-204-XH)
16-1	V00816-1	UNDER LOOPER SHAFT ARM (for V-204-H & V-204-XH use only)
17	V00817	UNDER LOOPER CONNECTING ROD
18	V00818	UNDER LOOPER SHAFT ARM(for all V-103 series use only)
18-1	V00818-1	UNDER LOOPER SHAFT ARM(for V-502 use only)
19	V00819	UNDER LOOPER SHAFT ARM(for all V-205 series , except V-205-XH & V-205-EH)
19-1	V00819-1	UNDER LOOPER SHAFT ARM(for V-205-XH use only)
19-2	V00819-2	UNDER LOOPER SHAFT ARM(for V-205-EH use only)
20	V00820	SET SCREW
21	-----	
22	V00822	CONNECTING ROD FIXED HOOK
23	V00823	SET SCREW



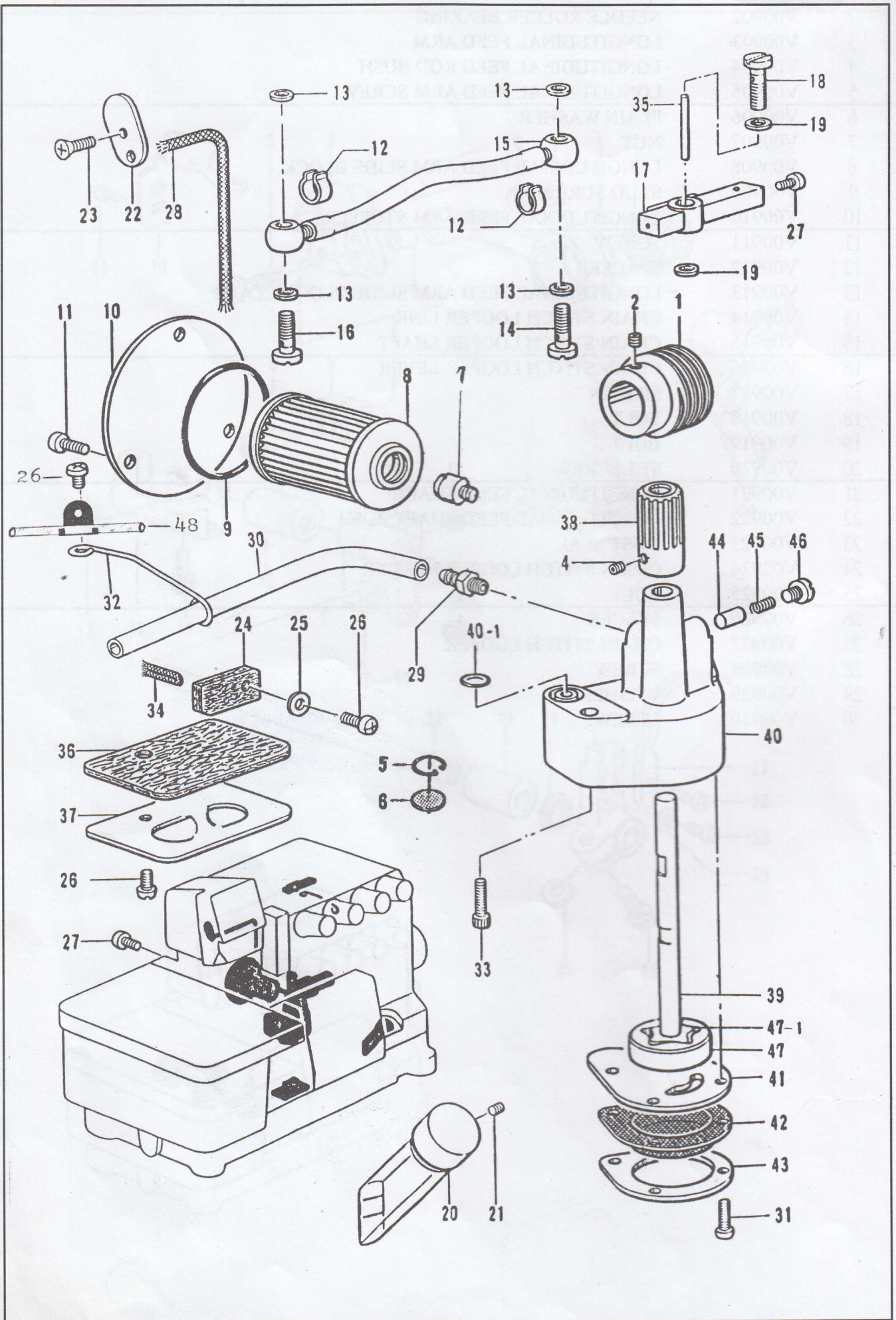
I. 二重環勾針機構 / Double chain stitch looper mechanism / Doppelkettenstichgreifer /  
 Mécanisme du boucleur pour point de chaînette double / Mecanismo del presilladora de doble cadeneta





<u>PART NO.</u>	<u>DESCRIPTION</u>
1	V00901 LONGITUDINAL FEED ROD
2	V00902 NEEDLE ROLLER BEARING
3	V00903 LONGITUDINAL FEED ARM
4	V00904 LONGITUDINAL FEED ROD BUSH
5	V00905 LONGITUDINAL FEED ARM SCREW
6	V00906 PLAIN WASHER
7	V00907 NUT
8	V00908 LONGITUDINAL FEED ARM SLIDE BLOCK
9	V00909 STUD SCREW
10	V00910 LONGITUDINAL FEED ARM STOPPER
11	V00911 SCREW
12	V00912 SPACER
13	V00913 LONGITUDINAL FEED ARM SLIDE BLOCK CLAMP
14	V00914 CHAIN STITCH LOOPER LINK
15	V00915 CHAIN STITCH LOOPER SHAFT
16	V00916 CHAIN STITCH LOOPER LEVER
17	V00917 SPACER
18	V00918 BOLT
19	V00919 BOLT
20	V00920 SET SCREW
21	V00921 LONGITUDINAL FEED SHAFT
22	V00922 LONGITUDINAL FEED SHAFT BUSH
23	V00923 DUST SEAL
24	V00924 CHAIN STITCH LOOPER HOLDER
25	V00925 BOLT
26	V00926 SPACER
27	V00927 CHAIN STITCH LOOPER
28	V00928 SCREW
29	V00929 WASHER
30	V00930 SCREW





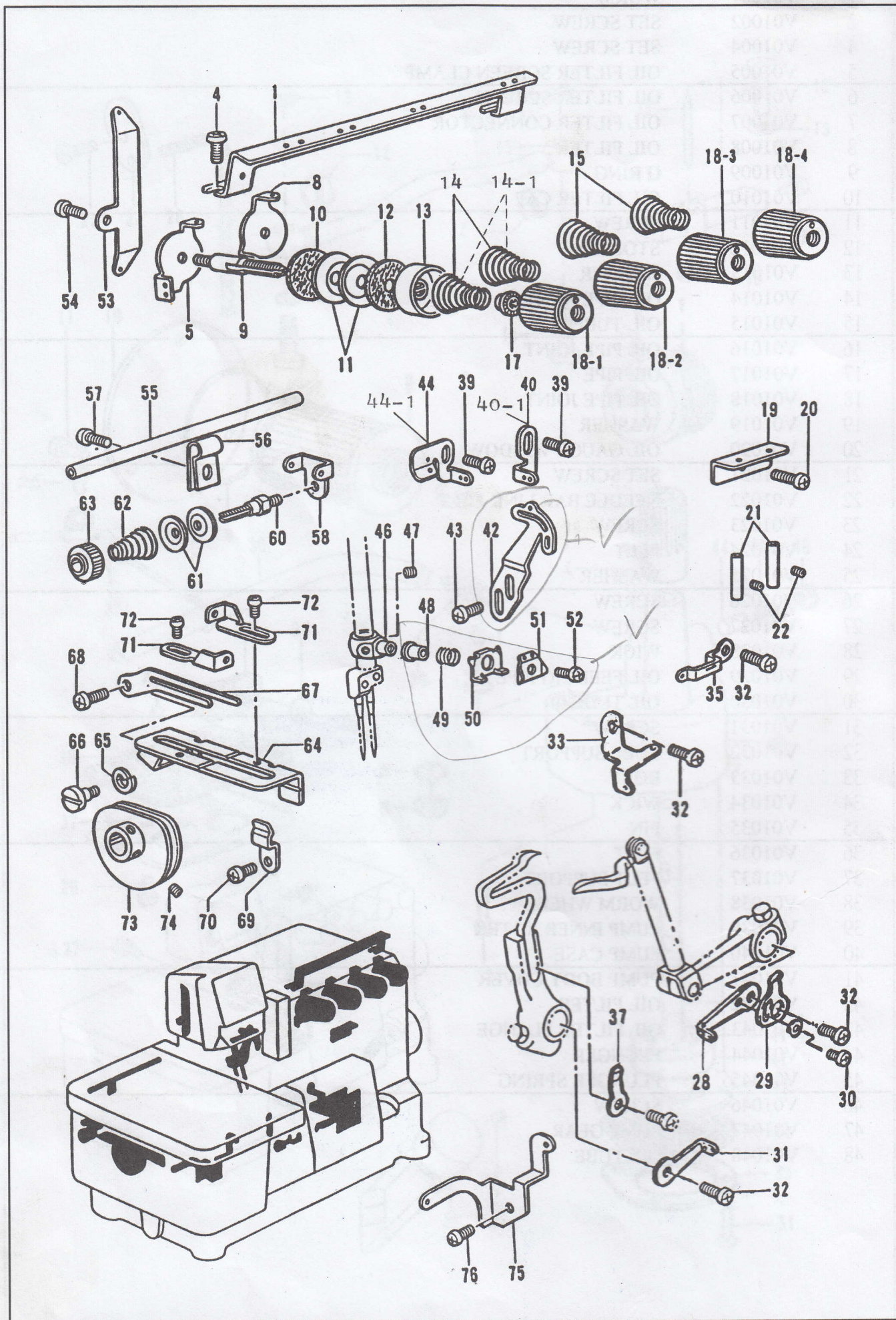


PART NO.	DESCRIPTION
1	V01001 WORM
2	V01002 SET SCREW
4	V01004 SET SCREW
5	V01005 OIL FILTER SCREEN CLAMP
6	V01006 OIL FILTER SCREEN
7	V01007 OIL FILTER CONNECTOR
8	V01008 OIL FILTER
9	V01009 O RING
10	V01010 OIL FILTER CAP
11	V01011 SCREW
12	V01012 STOP RING
13	V01013 WASHER
14	V01014 OIL PIPE JOINT
15	V01015 OIL TUBE
16	V01016 OIL PIPE JOINT
17	V01017 OIL PIPE
18	V01018 OIL PIPE JOINT
19	V01019 WASHER
20	V01020 OIL GAUGE WINDOW
21	V01021 SET SCREW
22	V01022 NEEDLE BAR LINK FELT
23	V01023 SCREW
24	V01024 FELT
25	V01025 WASHER
26	V01026 SCREW
27	V01027 SCREW
28	V01028 WICK
29	V01029 OIL FEEDING PIPE
30	V01030 OIL TUBE
31	V01031 SCREW
32	V01032 TUBE SUPPORT
33	V01033 BOLT
34	V01034 WICK
35	V01035 PIN
36	V01036 FELT
37	V01037 FELT SUPPORT
38	V01038 WORM WHEEL
39	V01039 PUMP INNER ROTER
40	V01040 PUMP CASE
41	V01041 PUMP BODY COVER
42	V01042 OIL FILTER
43	V01043 OIL FILTER FLANGE
44	V01044 PLUNGER
45	V01045 PLUNGER SPRING
46	V01046 SCREW
47	V01047 PUMP GEAR
48	V01048 OIL TUBE



K. 線拉力機構 / Thread tension / Faderspannung /

Tension du fil / Tension del hilo

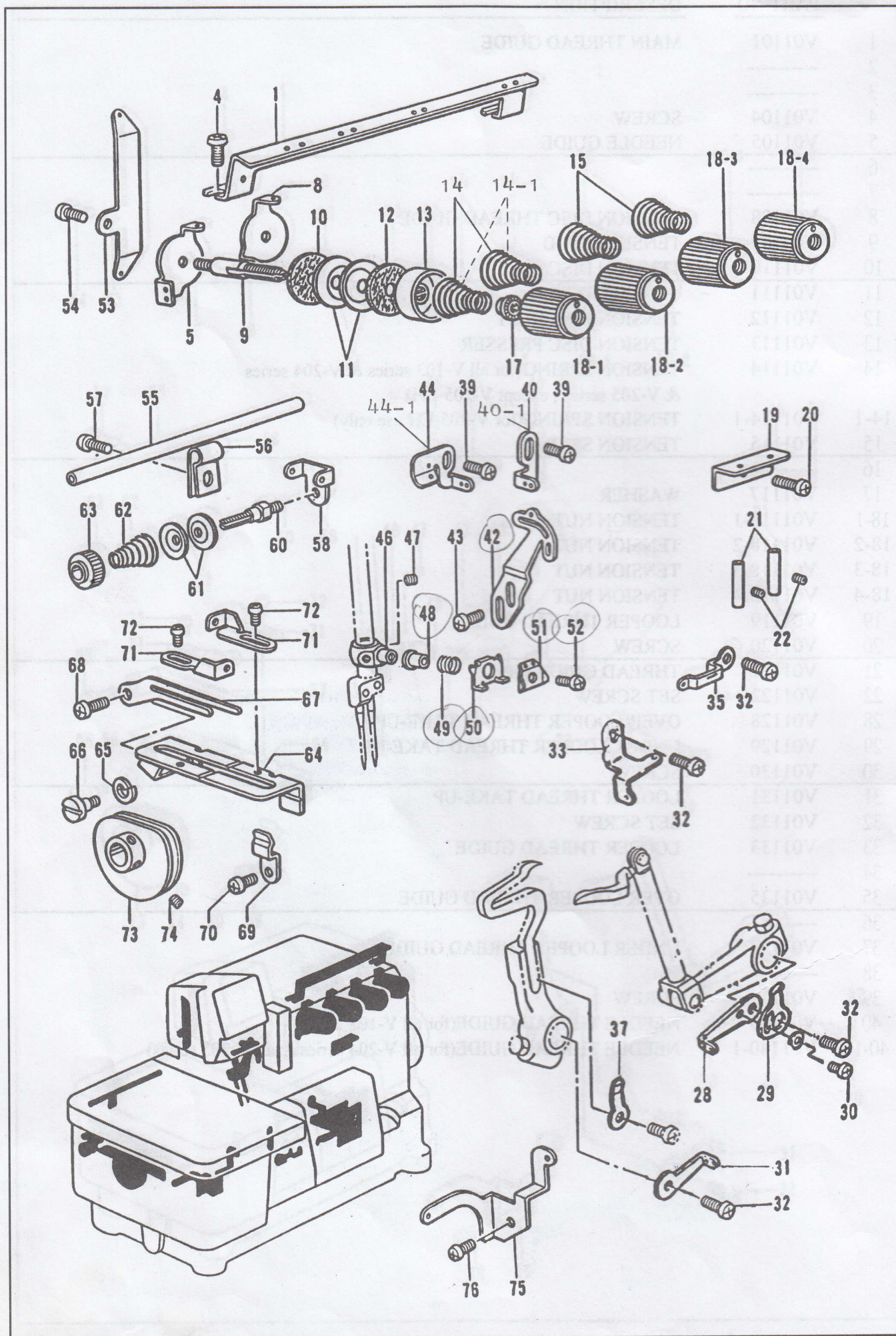




PART NO	DESCRIPTION
1	V01101 MAIN THREAD GUIDE
2	-----
3	-----
4	V01104 SCREW
5	V01105 NEEDLE GUIDE
6	-----
7	-----
8	V01108 TENSION DISC THREAD GUIDE
9	V01109 TENSION STUD
10	V01110 TENSION DISC FELT
11	V01111 TENSION DISC
12	V01112 TENSION DISC FELT
13	V01113 TENSION DISC PRESSER
14	V01114 TENSION SPRING(for all V-103 series & V-204 series & V-205 series , except V-205-EH)
14-1	V01114-1 TENSION SPRING(for V-205-EH use only)
15	V01115 TENSION SPRING
16	-----
17	V01117 WASHER
18-1	V01118-1 TENSION NUT
18-2	V01118-2 TENSION NUT
18-3	V01118-3 TENSION NUT
18-4	V01118-4 TENSION NUT
19	V01119 LOOPER THREAD GUIDE
20	V01120 SCREW
21	V01121 THREAD GUIDE PIPE
22	V01122 SET SCREW
28	V01128 OVER LOOPER THREAD TAKE-UP
29	V01129 UNDER LOOPER THREAD TAKE-UP
30	V01130 SCREW
31	V01131 LOOPER THREAD TAKE-UP
32	V01132 SET SCREW
33	V01133 LOOPER THREAD GUIDE
34	-----
35	V01135 OVER LOOPER THREAD GUIDE
36	-----
37	V01137 UNDER LOOPER THREAD GUIDE
38	-----
39	V01139 SCREW
40	V01140 NEEDLE THREAD GUIDE(for all V-103 series)
40-1	V01140-1 NEEDLE THREAD GUIDE(for all V-204 series & all V-205 series)



K. 線拉力機構 / Thread tension / Faderspannung /  
Tension du fil / Tension del hilo

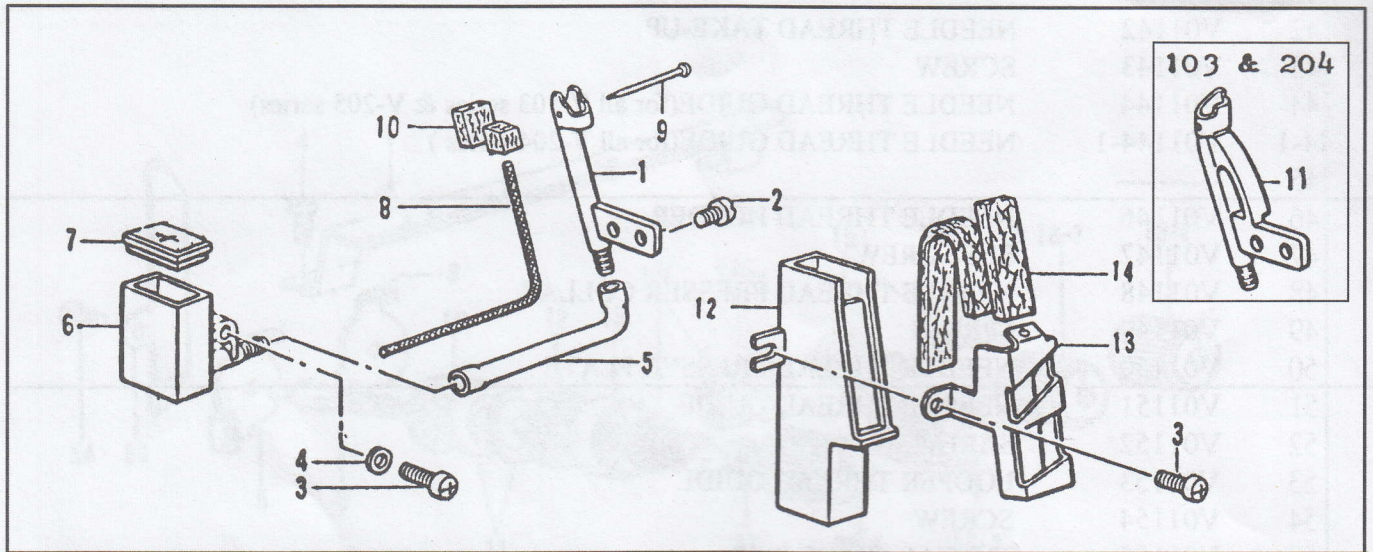




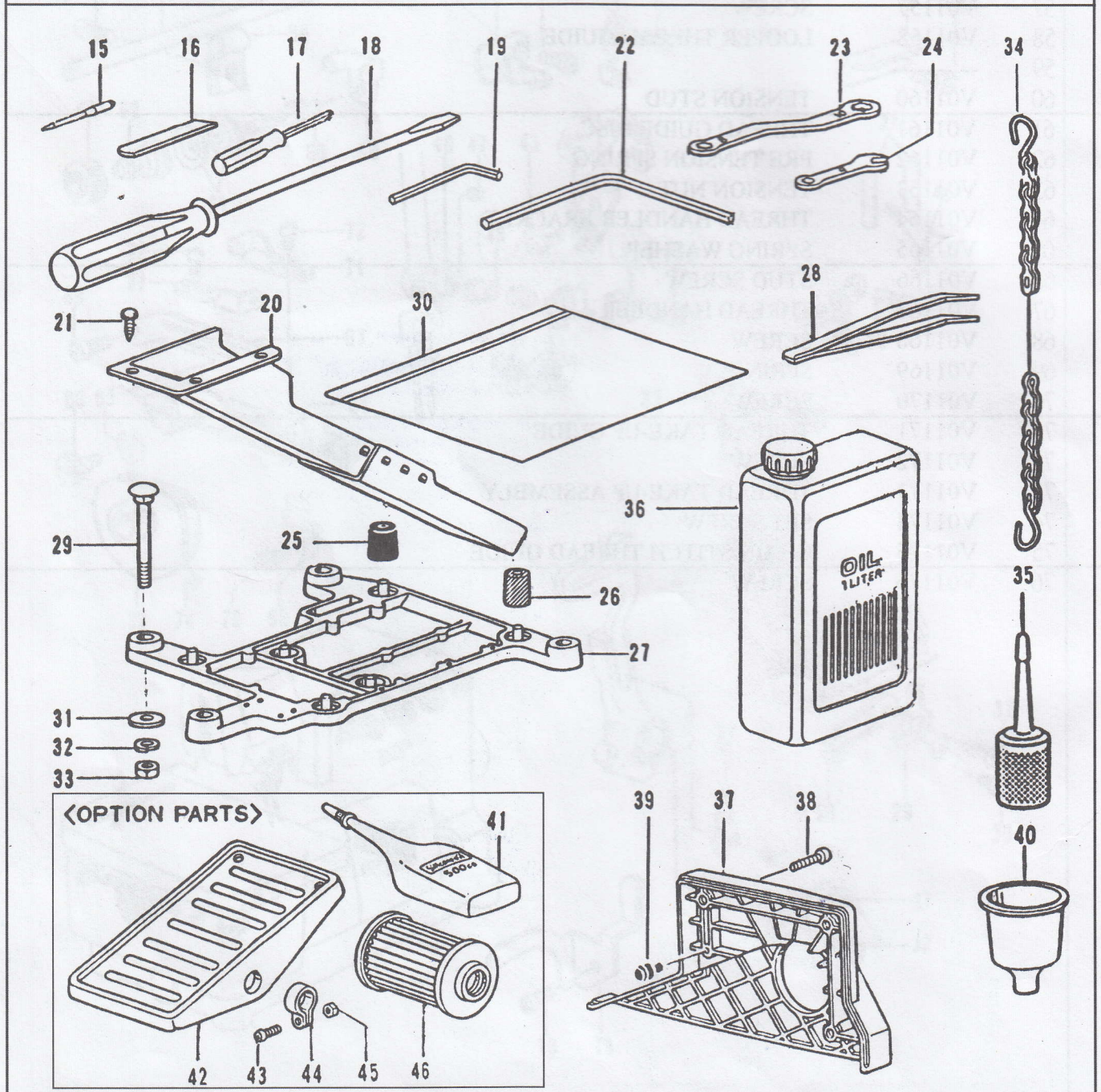
PART NO.	DESCRIPTION
41	-----
42	V01142 NEEDLE THREAD TAKE-UP
43	V01143 SCREW
44	V01144 NEEDLE THREAD GUIDE(for all V-103 series & V-205 series)
44-1	V01144-1 NEEDLE THREAD GUIDE(for all V-204 series )
45	-----
46	V01146 NEEDLE THREAD HOLDER
47	V01147 SET SCREW
48	V01148 NEEDLE THREAD PRESSER COLLAR
49	V01149 SPRING
50	V01150 NEEDLE THREAD PRESSER PLATE
51	V01151 NEEDLE THREAD GUIDE
52	V01152 SCREW
53	V01153 LOOPER THREAD GUIDE
54	V01154 SCREW
55	V01155 THREAD GUIDE PIPE
56	V01156 THREAD GUIDE PIPE SUPPORT
57	V01157 SCREW
58	V01158 LOOPER THREAD GUIDE
59	-----
60	V01160 TENSION STUD
61	V01161 THREAD GUIDE DISC
62	V01162 PRE TENSION SPRING
63	V01163 TENSION NUT
64	V01164 THREAD HANDLER BRACKET
65	V01165 SPRING WASHER
66	V01166 STUD SCREW
67	V01167 THREAD HANDLER
68	V01168 SCREW
69	V01169 SPRING
70	V01170 SCREW
71	V01171 THREAD TAKE-UP GUIDE
72	V01172 SCREW
73	V01173 THREAD TAKE-UP ASSEMBLY
74	V01174 SET SCREW
75	V01175 CHAIN STITCH THREAD GUIDE
76	V01176 SCREW



L. 針冷卻裝置 / Needle cooler / Nadelkühlungsvorrichtung /  
 Mécanisme du refroidisseur d'aiguille / Mecanismo del enfriador de aguja



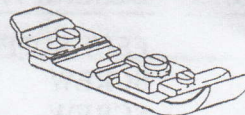
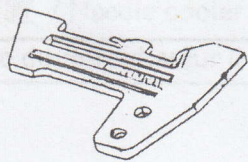
附屬品機構 / Accessorles / Zubehör /  
 Accessoires / Accesorios



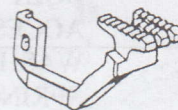
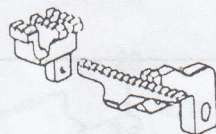


PART NO.	DESCRIPTION
1	V01201 FELT SUPPORT(for all V-205 series )
2	V01202 SCREW
3	V01203 SCREW
4	V01204 PLAIN WASHER
5	V01205 VINYL TUBE
6	V01206 SILICONE TANK
7	V01207 SILICONE TANK CAP
8	V01208 WICK
9	V01209 PIN
10	V01210 FELT
11	V01211 FELT SUPPORT(for all V-103 series & V-204 series)
12	V01212 SILICONE TANK
13	V01213 FELT SUPPORT PLATE
14	V01214 FELT
15	V01215 NEEDLE
16	V01216 LOWER KNIFE
17	V01217 SCREW DRIVER
18	V01218 SCREW DRIVER
19	V01219 HEXAGONAL WRENCH
20	V01220 DUSTER SHOOT ASSEMBLY
21	V01221 SCREW
22	V01222 HEXAGONAL WRENCH
23	V01223 WRENCH
24	V01224 SPANNER
25	V01225 RUBBER CUSHION
26	V01226 RUBBER CUSHION
27	V01227 HEAD PLATE
28	V01228 PINCETTE
29	V01229 BOLT
30	V01230 ACCESSORY BAG
31	V01231 WASHER
32	V01232 SPRING WASHER
33	V01233 NUT
34	V01234 CHAIN ASSEMBLY
35	V01235 POLY OILER ASSEMBLY
36	V01236 OIL TANK
37	V01237 BELT COVER
38	V01238 SCREW
39	V01239 OIL CAP
40	V01240 FUNNEL
41	V01241 SILICONE OIL
42	V01242 TREADLE PEDAL
43	V01243 SCREW
44	V01244 PEDAL STOPPER
45	V01245 NUT
46	V01246 OIL FILTER





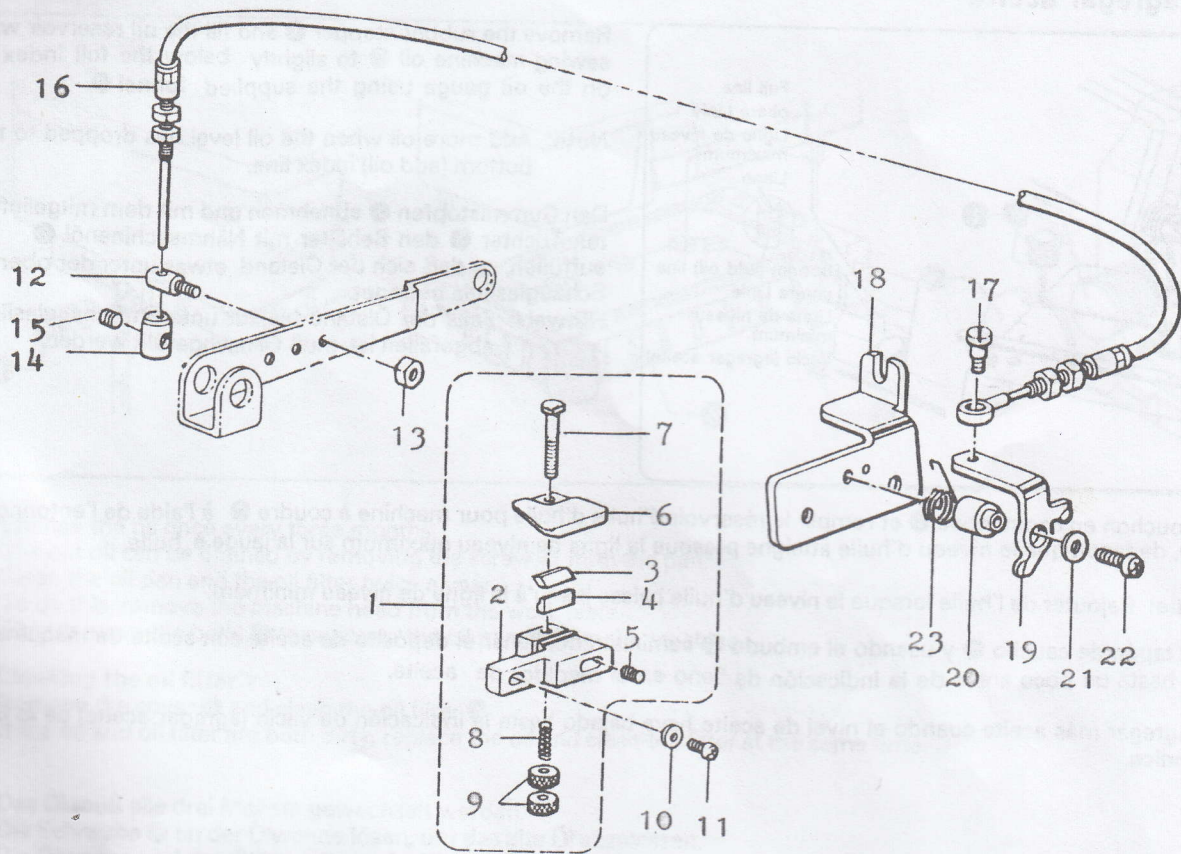
		<u>PART NO.</u>			<u>PART NO.</u>				
1	----	( V-103 )	----	V01301	20	----	( V-103 )	----	V01320
2	----	( V-103-2 )	----	V01302	21	----	( V-103-2 )	----	V01321
3	----	( V-103-S )	----	V01303	22	----	( V-103-S )	----	V01322
4	----	( V-103-K )	----	V01304	23	----	( V-103-K )	----	V01323
5	----	( V-103-BT )	----	V01305	24	----	( V-103-BT )	----	V01324
6	----	( V-204 )	----	V01306	25	----	( V-204 )	----	V01325
7	----	( V-204-GA )	----	V01307	26	----	( V-204-GA )	----	V01326
8	----	( V-204-H )	----	V01308	27	----	( V-204-H )	----	V01327
9	----	( V-204-XH )	----	V01309	28	----	( V-204-XH )	----	V01328
10	----	( V-204-TG )	----	V01310	29	----	( V-204-TG )	----	V01329
11	----	( V-204-BT )	----	V01311	30	----	( V-204-BT )	----	V01330
12	----	( V-205 )	----	V01312	31	----	( V-205 )	----	V01331
13	----	( V-205-GA )	----	V01313	32	----	( V-205-GA )	----	V01332
14	----	( V-205-MH )	----	V01314	33	----	( V-205-MH )	----	V01333
15	----	( V-205-MH -GA)	----	V01315	34	----	( V-205-MH -GA)	----	V01334
16	----	( V-205-XH )	----	V01316	35	----	( V-205-XH )	----	V01335
17	----	( V-205-EH )	----	V01317	36	----	( V-205-EH )	----	V01336
18	----	( V-502 )	----	V01318	37	----	( V-502 )	----	V01337
19	----	( V-722 )	----	V01319	38	----	( V-722 )	----	V01338



		<u>PART NO.</u>			<u>PART NO.</u>				
39	----	( V-103 )	----	V01339	58	----	( V-103 )	----	V01358
40	----	( V-103-2 )	----	V01340	59	----	( V-103-2 )	----	V01359
41	----	( V-103-S )	----	V01341	60	----	( V-103-S )	----	V01360
42	----	( V-103-K )	----	V01342	61	----	( V-103-K )	----	V01361
43	----	( V-103-BT )	----	V01343	62	----	( V-103-BT )	----	V01362
44	----	( V-204 )	----	V01344	63	----	( V-204 )	----	V01363
45	----	( V-204-GA )	----	V01345	64	----	( V-204-GA )	----	V01364
46	----	( V-204-H )	----	V01346	65	----	( V-204-H )	----	V01365
47	----	( V-204-XH )	----	V01347	66	----	( V-204-XH )	----	V01366
48	----	( V-204-TG )	----	V01348	67	----	( V-204-TG )	----	V01367
49	----	( V-204-BT )	----	V01349	68	----	( V-204-BT )	----	V01368
50	----	( V-205 )	----	V01350	69	----	( V-205 )	----	V01369
51	----	( V-205-GA )	----	V01351	70	----	( V-205-GA )	----	V01370
52	----	( V-205-MH )	----	V01352	71	----	( V-205-MH )	----	V01371
53	----	( V-205-MH -GA)	----	V01353	72	----	( V-205-MH -GA)	----	V01372
54	----	( V-205-XH )	----	V01354	73	----	( V-205-XH )	----	V01373
55	----	( V-205-EH )	----	V01355	74	----	( V-205-EH )	----	V01374
56	----	( V-502 )	----	V01356	75	----	( V-502 )	----	V01375
57	----	( V-722 )	----	V01357	76	----	( V-722 )	----	V01376



## 24(BACK LATCHER DEVICE)



PART NO.	DESCRIPTION
1	V01401 BACK LATCHER PRESSER ASSY
2	V01402 BACK LATCHER BLADE HOLDER
3	V01403 BACK LATCHER KNIFE
4	V01404 BACK LATCHER KNIFE PRESSER
5	V01405 SET SCREW
6	V01406 BACK LATCHER PRESSER PLATE
7	V01407 PRESSER PLATE SHAFT
8	V01408 SPRING
9	V01409 PRESSER PLATE ADJUST NUT
10	V01410 PLAIN WASHER
11	V01411 SCREW
12	V01412 STUD
13	V01413 NUT
14	V01414 WIRE STOPPER
15	V01415 SET SCREW
16	V01416 FLEXIBLE WIRE ASSY
17	V01417 STUD SCREW
18	V01418 TENSION RELEASE BASE
19	V01419 TENSION RELEASE PLATE
20	V01420 COLLAR
21	V01421 PLAIN WASHER
22	V01422 SCREW
23	V01423 SPRING
24	V01424 BACK LATCHER DEVICE