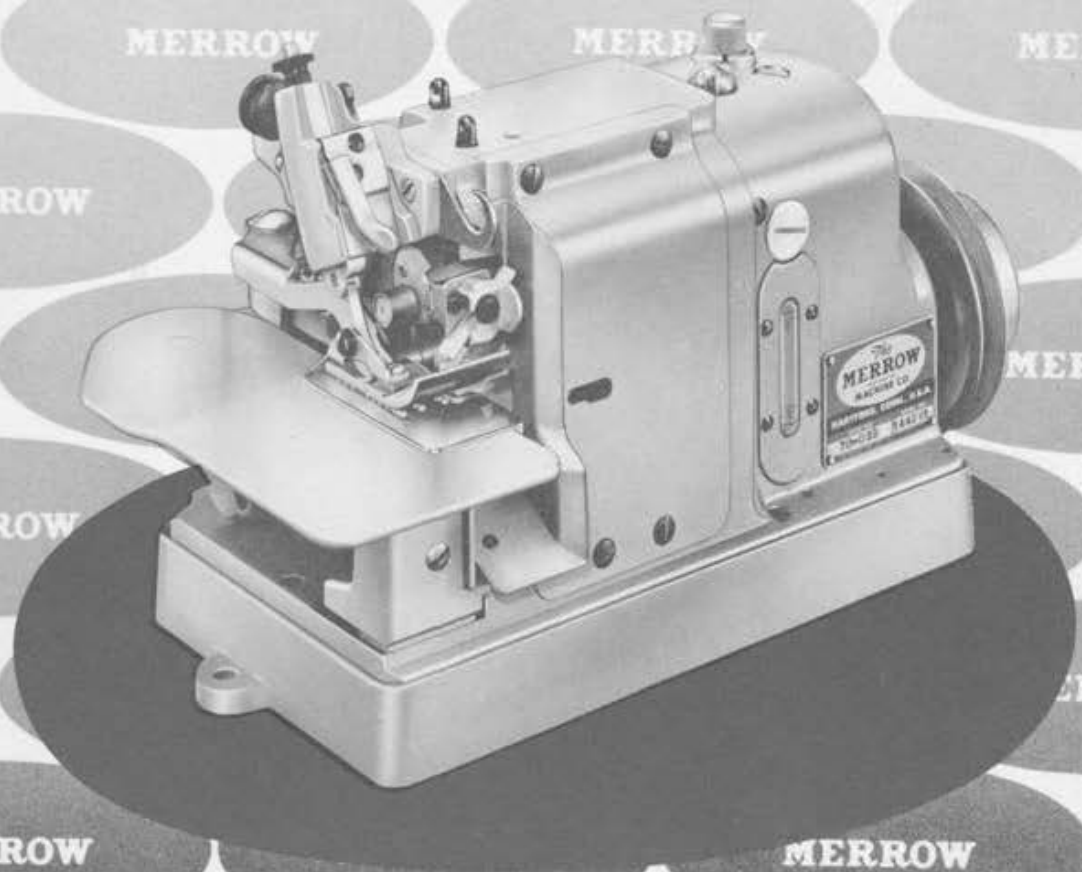


descriptive list of parts
for
MERROW[®]
CLASS 70 MACHINE





Main Office and Factory
THE MERROW MACHINE COMPANY
Hartford 6, Connecticut, U.S.A.

ESTABLISHED 1838
INCORPORATED 1894



**NEW
MANUFACTURING
SUBSIDIARY**



Franklin Industries, Incorporated, Lavonia, Georgia

Copyright 1970 by
THE MERROW MACHINE COMPANY

INTRODUCTION

This book contains a descriptive list of many parts in common use in the Merrow Class 70 Butt-Seaming goods in process, together with illustrations. This list includes parts with the prefix M, prefix A and prefix 6, which are commonly used on the Class 70 Machines. All moving parts subject to friction and wear have been carefully designed and accurately formed to give them maximum utility, durability and interchangeability for continuous and perfect operation at high speed.

The Merrow Class 70 Machine was designed with automatic lubrication, lighter moving parts and a swing out presser foot to replace most Class 60 Butt Seaming Machines now in operation in process seaming throughout the world. In order to aid those customers still operating Class 60 Machines for this application, the right hand column consists of certain comparable parts presently available for those machines. We expect some of these parts, designed exclusively for use in Class 60 Machines, to be discontinued in the future as more and more of our customers replace their machines with the improved Class 70 Machines.

Numerous parts for our Machines have been designed for special uses and since their application is limited, these parts are not listed herein. It is also anticipated that new parts will be developed as the requirements change. As an example, a special Merrow Style 70-D3B is available with certain parts that have a special plated surface to increase the corrosion resistance for use in butt seaming fabric that is extremely wet during seaming. This Machine is designated as a Style 70-D3B Wet Plate Machine and the special parts available have been given a suffix "N", such as the Needle Plate, 6-70-167N.

Class 70 Machines overseam and trim simultaneously and are generally arranged to produce a one-thread stitch formation that opens flat after seaming. By cutter adjustments, the amount of fabric included within the stitch formation can be changed to produce a true butt seam, a gap seam or an overlap seam, while maintaining the thinness necessary for a good fabric processing joint. Certain models are available with a two-thread stitch formation.

We also make other classes of machines including Class M Overstitching Machines, Plain Crochet Machines and Shell Stitch Machines, which are being used successfully by garment manufacturers throughout the world. With distributors in the major textile centers throughout the world, we offer our services to solve your individual problems, either directly or thru your nearest Merrow distributor.

HOW TO ORDER

Send parts order to your nearest Merrow Distributor or The Merrow Machine Company, Hartford, Connecticut, 06106, U.S.A.

When ordering replacement parts, include the **Style** of the machine, the **Name** of the part, and the **letters and numbers** stamped on the part. (The stamping on a particular part is insufficient information without giving the name of the part). All enameled parts will be furnished in grey.

We keep a description card on each machine listing the parts in the machine as it leaves the factory. If difficulty is experienced in selecting the proper part number desired, we expect to be able to make proper selection from our records if given the following information:

- 1.) The **Name** of Part
- 2.) The **Style** and **Serial** Number of Machine
- 3.) Special information if included below:
 - a.) **Needle Plates** - specify:
Machine Style (70-D3B, 70-Y3B, etc.). Machine mounting, (table, railway, rotary stand, and the manufacturer of such mounting). Type of seam (butt, gap, overlap, etc.), size of needle used, and number of needle plate (stamped on underside of plate).
 - b.) **Loopers** - specify:
upper or lower, one or two thread stitch. (Number of looper is stamped on the shank near the butt end).
 - c.) **Parts for Feeding Mechanism** - specify:
front or rear feed if machine has differential (gathering) feed.

<p>MERROW MACHINES ARE DISTRIBUTED BY</p>	<p>OTHER MERROW MACHINES</p> <ul style="list-style-type: none">• CLASS M OVERSTITCHING MACHINES• PLAIN CROCHET MACHINES• BLANKET HEMMING MACHINES• SHELL STITCH CROCHET MACHINES <p>Descriptive literature and samples of stitches produced will be provided on request.</p>
--	--

THE MERROW MACHINE COMPANY

ALPHABETICAL INDEX

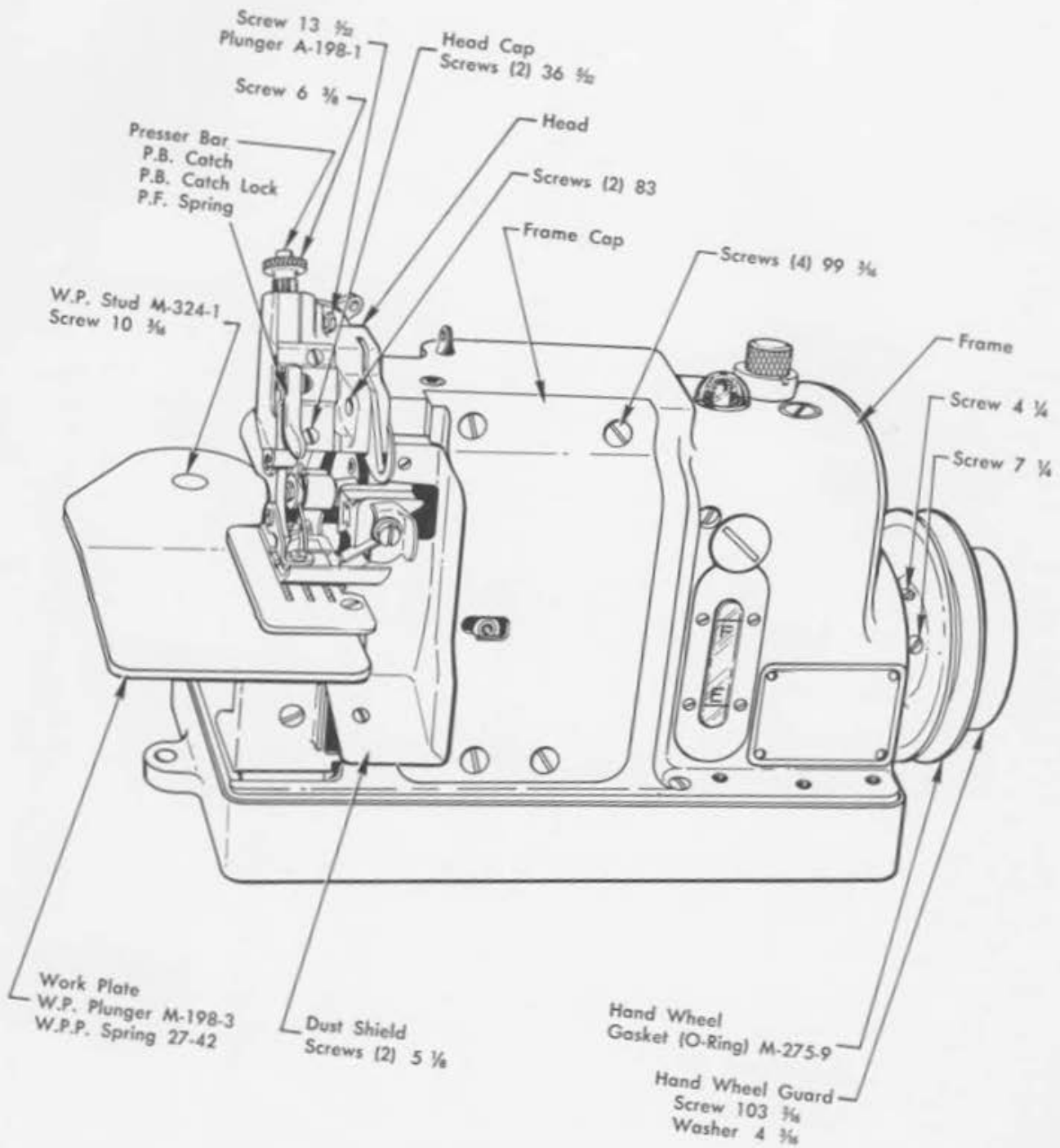
	Key to Model Numbers	Description on Page	Illust. on Page
Bracket	A-316	26	22
Cams, Upper and Lower		31	10
Cam Rolls	14-455	31	11
Cutter Grinder		32	32
Cutters, Upper and Lower	A-90, 6-91	19	16
Dust Shield	M-87	17	6
Fabric Guard	M-96	19	16
Fabric Guide	6-107	21	20
Feed Adjusting Lever	M-357	29	28
Feed Carrier	M-74	15	14
Feed Carrier Block	M-75	15	14
Feed Carrier Block Eccentric Pin	M-94	19	14
Feed Carrier Link	M-76	15	14, 28
Feed Carrier Link Bolt	6-77	15	14, 28
Feed Carrier Link Bushing	M-79	15	14, 28
Feed Carrier Spacer	6-313	26	22
Feed Dog	6-81	15	16
Feed Eccentrics	6-82	17	14
Feed Eccentric Extractor	6-155	24	22
Feed Eccentric Key	6-152	24	22
Feed Raising Eccentric Block	M-80	15	14, 28
Feed Link Pivot	M-351	29	28
Feed Link Pivot Pin	M-352	29	28
Feed Link Pivot Arm	M-353	29	28
Feed Link Pivot Arm Spacer	M-354	29	28
Feed Link Pivot Arm Spacer Bolt	M-355	29	28
Feed Link Pivot Arm Actuator	M-356	29	28
Feed Link Pivot Support	M-358	29	28
Frame	M-1	7	6
Frame Base	A-19	7	18
Frame Cap	M-3	7	6
Gasket	M-275	25	18, 22, 26
Guard	M-325	27	30
Hand Wheel	6-24	7	8
Head	M-2	7	8
Head Cap	M-89, A-89	17	16
Looper Thread Takeup	6-135	23	20
Looper Lower		30	30
Loopers Upper		30	30
Lower Cam		31	10
Lower Cutter	6-91	19	16
Lower Cutter Clamp	6-67	13	12
Lower Cutter Holder	6-65	11	12
Lower Cutter Holder Clamp	M-66	13	12
Lower Cutter Holder Support	M-64	11	12
Lower Looper Carrier	6-51	9	11
Lower Looper Thread Tube	A-69, 6-69	13	12
Lower Shaft	6-63, M-63	10	10
Needle Bearing	M-341	27	10
Needle Carrier	M-110, 6-110	21	20
Needle Carrier Collar	6-126	23	20
Needle Carrier Link	M-111	21	20
Needle Carrier Bolt	6-128	23	20
Needle Clamp Spacer	6-250	25	20
Needle Plate	6-70	13	12
Needle Plate	6-193	24	22
Needle Thread Takeup	6-112, A-112	21	20
Needles		30	30
Oil Collector	A-137, M-137	23	11, 26
Oil Bubbler Cap	M-333	27	26
Oil Filter	M-332	27	26
Oil Gage	M-334	27	18, 30
Oil Filler Assembly	M-329	27	26

DESCRIPTIVE PARTS LIST — CLASS 70

ALPHABETICAL INDEX

	Key to Model Numbers	Description on Page	Illus. on Page
Oil Filler Cap Assembly	M-331	27	26
Oil Meter	M-350	27	26
Oil Reservoir Plate	M-30	7	18
Plate	M-320	27	18, 30
Plug	M-282	25	22
Plunger	A-198, M-198	24	22
Presser Arm Catch	M-373	29	30
Presser Arm Pivot	M-33	7	10
Presser Bar	A-202	24	22
Presser Bar Lock	M-308	26	22
Presser Foot	A-71, 6-71	15	16
Presser Foot Arm	A-206	24	22
Presser Foot Extension	6-249	24	22
Presser Foot Finger	6-106	21	20
Presser Foot Hinge Spring	6-125	23	20
Presser Foot Latch	A-270, M-270	25	22
Presser Foot Lifter	M-99, 6-99	19	20
Presser Foot Lifter Bushing	6-100	19	20
Presser Foot Lifter Roll	M-335	27	30
Presser Foot Lifter Stop Clamp	A-278	25	20
Presser Foot Stop	M-373	29	30
Presser Foot Wheel	6-146	23	22
Presser Wheel Shank	6-147	23	22
Presser Wheel Guard	6-148	23	22
Screw Driver	48-3	31	30
Shaft Upper	M-62	10	10
Shaft Lower	6-63, M-63	10	10
Shims	M-269	25	22
Socket Wrench	44-2	31	30
Springs	27, 14	31	30
Stud	M-324	27	30
Tension Disc	14	31	20
Tension Rod	M-113, A-113	21	20
Tension Rod Shell	A-109	21	20
Tension Nut	14	31	20, 30
Tension Spring	14	31	20, 30
Thread Cutter	6-121, A-121	23	20
Thread Guide	6-61, A-61, M-61	9	8
Thread Stand, Two Thread		32	32
Thread Tube Clamp	6-184, M-184	24	8, 12
Thread Tubes	6-69, A-69	13	12
Threading Wires	37-318	31	30
Tube	M-95	19	26
Tweezers	37-225	31	30
Upper Cam		31	10
Upper Cutter	6-90, A-90	19	16
Upper Cutter Carrier	M-52	9	10
Upper Cutter Carrier Eccentric Block	M-55	9	10
Upper Cutter Carrier Stud	M-54	9	10
Upper Cutter Carrier Stud Bushing	M-337	27	
Upper Cutter Clamp	A-59	9	8
Upper Cutter Holder	A-56	9	8
Upper Cutter Holder Clamp	A-97	19	8
Upper Looper Carrier	6-50	9	11
Upper Looper Carrier Guide	M-210	24	11
Upper Looper Carrier Slide Rod	M-323	27	11
Upper Shaft	M-62	10	10
Upper Shaft Flange Assembly	M-339	27	10, 30
Upper Shaft Oil Distributor Rod	M-346	27	10
Work Plate	M-84	17	6
Work Plate Support	M-29	7	8
Wrench	30-3, A-289	26, 31	22, 30
Wrench (Socket)	44-2	31	30

THE MERROW MACHINE COMPANY



FRONT VIEW

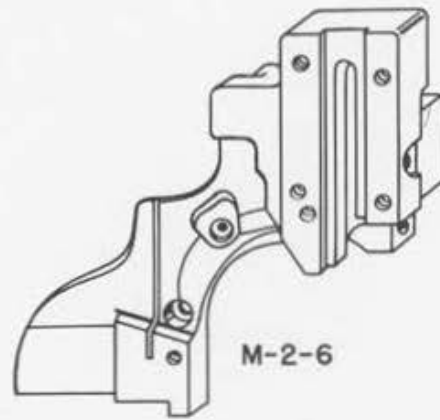
DESCRIPTIVE PARTS LIST — CLASS 70

DESCRIPTIVE LIST OF PARTS FOR MERROW CLASS 70 MACHINES

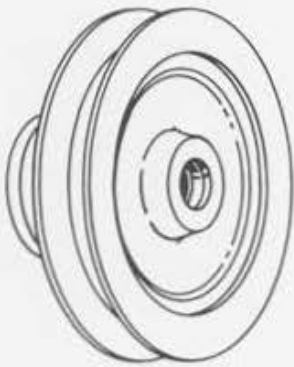
MODEL	FRAME — Old Frame must be returned	PARTS AVAILABLE FOR CLASS 60 MACHINES
M-1-6	Used on 70-D3B	None Available
M-1-7	Used on 70-Y3B	
M-1-8	Used on 70-ABB	
M-1-9	Used on 70-ABBY	
	HEAD	
		SCREWS (2) 91-3/16 70-ABB and 70-ABBY (2) 83-3/16 70-D3B and 70-Y3B
M-2-5	Used on 70-D3B, 70-Y3B.	6-2-5 Generally Used
M-2-6	Used on 70-ADN-1, 70-ABB with Wheel Foot used with Head Cap 6-89-G. Formerly EXC 513-1.	
M-2-7	Similar to M-2-5, except thinner for use on 70-ABB, 70-ABBY. Formerly EXC 640-5.	
EXC-513-6	Similar to M-2-6, except thicker for use on 70-D3B and 70-Y3B.	6-2-8 (60Y3B 60-ABBY)
	FRAME CAP	
M-3-ASSY-2	Generally used.	SCREWS (4) 99-3/16 6-3-31 (60-ABB 60-ABBY) 6-3-32 (60-D3B 60-Y3B)
	FRAME BASE	
A-19-ASSY-2	Generally used - includes Oil Drain, Screw 11-3/8, Gasket (O-Ring) M-275-12.	SCREWS (3) 83-3/16 6-19-D (Sc. 11-1/4)
	HAND WHEEL	
6-24-D	Used on 70-D3B and 70-Y3B includes Gasket (O-Ring) M-275-9, Screw (Cone Point) 7-¼, and Screw (Oval Point) 4-¼.	6-24-C
6-24-E	Used on Hand Wheel Guard M-325-10. Used on 70-ABB, and 70-ABBY, Screw (Cone Point) 30-¼, Screw (Oval Point) 9-7/32.	6-24-D
	HEAD SPACER	
	None	6-25 (Sc. 10-3/16)
	WORK PLATE SUPPORT	
M-29-2	Used on 70-D3B and 70-ABB.	SCREW (2) 34-3/16
M-29-5	Used on 70-Y3B and 70-ABBY.	
M-29-9	Used on 70-D3B and 70-ABB on Birch Railways and Dinsmore and Birch Rotary Stand. Formerly EXC 532.	
	OIL RESERVOIR PLATE	
M-30-5	Use with Gasket M-275-19.	SCREW (12) 22-5/32
	PRESSER ARM PIVOT	
M-33-3	Used on Style 70-ABB and 70-ABBY.	
M-33-5	Used on Style 70-D3B and 70-Y3B use Locking Screw 1—No. 5 and Plunger M-198-7.	



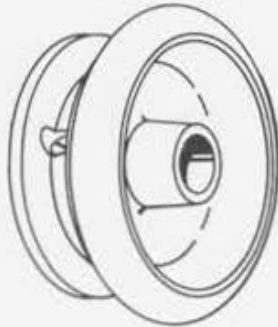
M-2-5



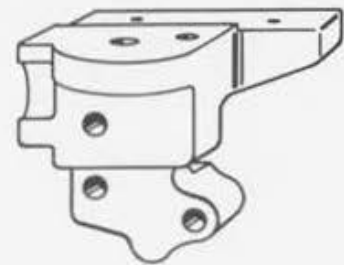
M-2-6



6-24-D



6-24-E



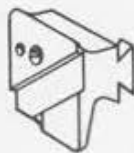
M-29-2

SCREW

$19 \frac{1}{8}$



A-97-1



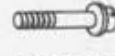
A-56-5



A-90-3



A-59-2



SCREW

$51 \frac{5}{32}$

A-59-5



6-61-B



6-61-A



6-61-D



6-61-E



6-61-N



A-61-2



A-61-4



A-61-8



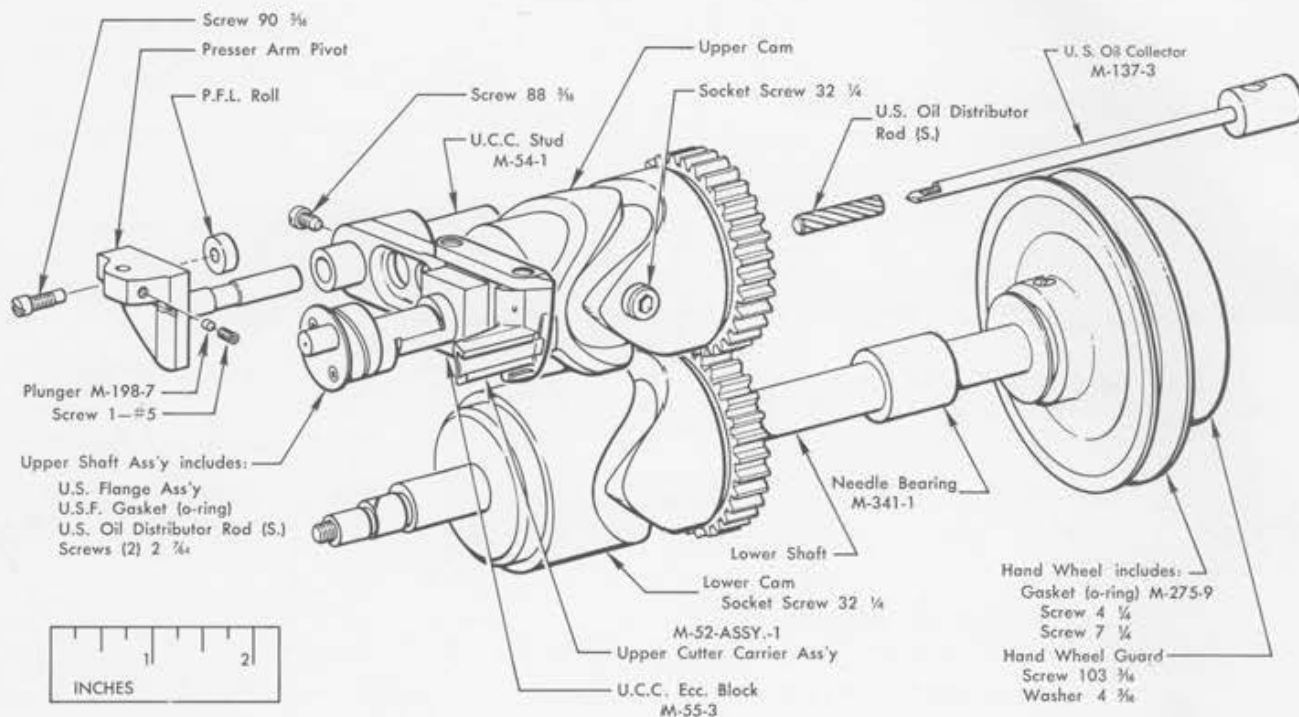
M-61-10



M-184-1

DESCRIPTIVE PARTS LIST — CLASS 70

MODEL		PARTS AVAILABLE FOR CLASS 60 MACHINES
6-50-ASSY-C	UPPER LOOPER CARRIER Includes Pin 36-47, Screw 1-No. 8.	6-50-A (Sc. 3-3/16)
6-51-ASSY-E	LOWER LOOPER CARRIER Includes Pin 36-47, Screw 2-No. 8.	6-51-D (Sc. 3-3/16)
M-52-ASSY-1	UPPER CUTTER CARRIER SCREW 88-3/16 Includes Cap M-53-1, Screw (2) 41-5/32, Pin (2) 36-41, Plate M-320-3.	6-52-A (Sc. 77-3/16)
M-54-1	UPPER CUTTER CARRIER STUD Generally used: Used with Bushing (left) M-337-4 and Bushing (right) M-337-2.	6-54
M-55-3	UPPER CUTTER CARRIER ECCENTRIC BLOCK Generally used.	6-55-A (Lower) 6-55-D (Upper)
A-56-3	UPPER CUTTER HOLDER Used with 6-90-F on 70-ABB and 70-ABBY Screw 8-1/8.	6-56-G
A-56-5	Used with A-90-3 and 70-D3B and 70-Y3B Screw 19-1/8.	
A-59-2	UPPER CUTTER CLAMP Generally used, 70-D3B and 70-Y3B use Screw 51-5/32, 70-ABB and 70-ABBY Screw 37-5/32.	6-59-E (Sc. 18 5/32)
A-59-5	Used on 70-ABB-1, Screw 37-5/32. Formerly EXC 640-2.	
6-61-A	THREAD GUIDE Screw Eye for top of Frame.	
6-61-B	Single Eye used in Lower Cutter Holder Support.	
6-61-D	Needle Thread Guide for Head.	
6-61-E	Single Eye for Needle Thread for Head.	
6-61-N	Needle Thread Guide for Head.	
A-61-2	Straight Guide similar to 6-61-H but shorter, Used on 70-ABB-1 and 70-ADN-1.	
A-61-4	Tube used to conduct Needle Thread to Takeup on 70-ABB-1 and 70-ADN-1, used with T. T. Clamp M-184-1, T. R. Shell A-109-1 and Screw 91-3/16.	
A-61-8	Thread Guide (Plate Form) mounts on Tension Rod on 70-ABB-1 and 70-ADN-1.	
M-61-10	Thread Guide (Plate Form) used with A-61-8 on 70-ABB-1 and 70-ADN-1 to guide Looper Thread.	

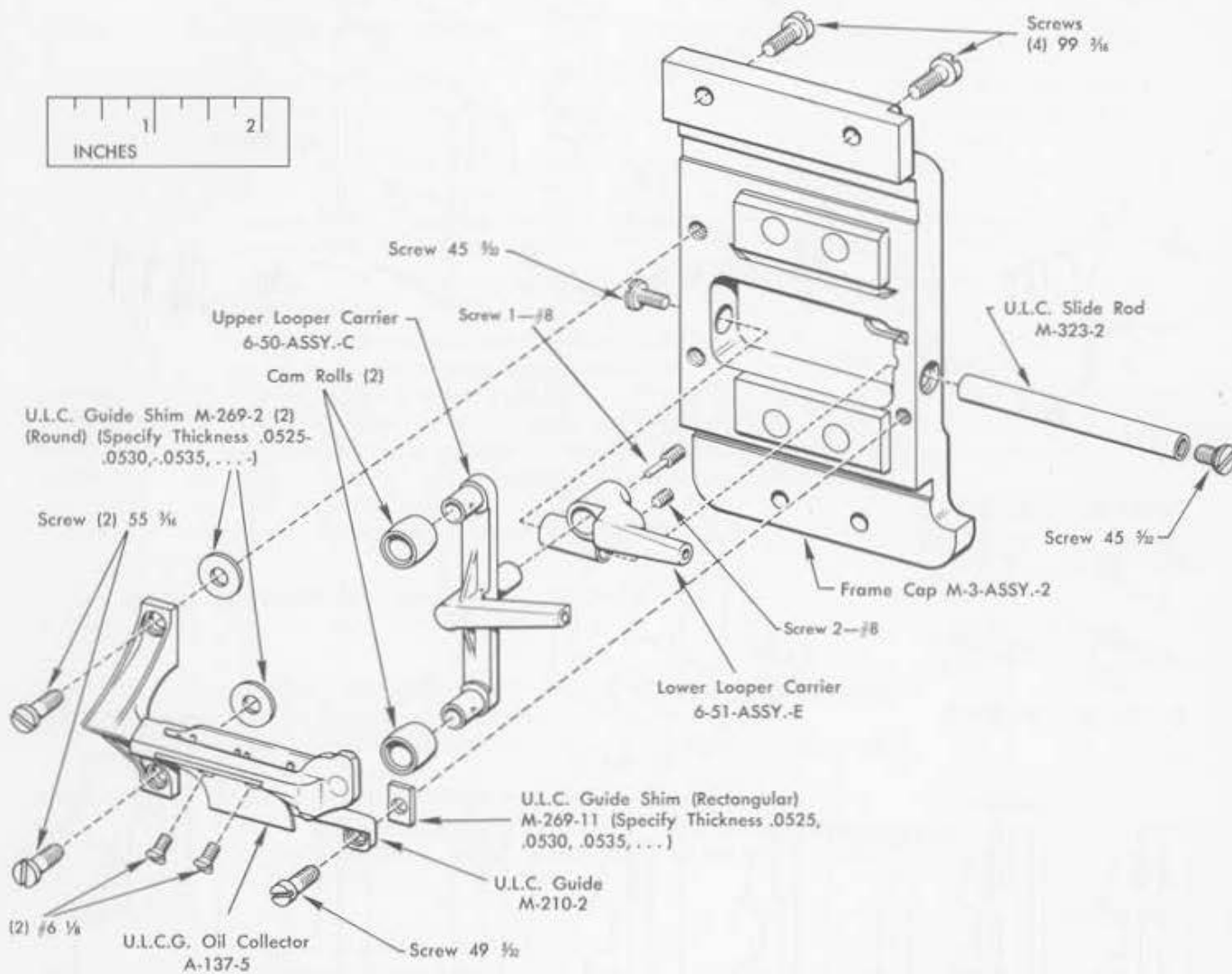


MAIN CAMS – MAIN SHAFTS

PARTS AVAILABLE FOR CLASS 60 MACHINES

MODEL	UPPER SHAFT	SCREW (2) 2-7/64	
M-62-ASSY-11	Used on 70-D3B and 70-Y3B, Includes: Flange M-339-ASSY-11, Flange Gasket (O-Ring) M-275-11, Oil Distributor Rod (short) M-346 to fit Shaft.		6-62-C
M-62-ASSY-12	Used on 70-ABB and 70-ABBY, Includes: Flange M-339-ASSY-12, Flange Gasket (O-Ring) M-275-11, Oil Distributor Rod (short) M-346 to fit Shaft.		6-62-A
	LOWER SHAFT	SCREW 103-3/16 NUT 2-3/16	
6-63-0	Used on 70-D3B (Key 6-152-A).		6-63-L
M-63-6	Used on 70-Y3B (Key 6-152-B).		6-63-L
M-63-7	Used on 70-ABB (Key 6-152-C).		6-63-G
M-63-8	Used on 70-ABBD (Key 6-152).		6-63-D or 6-63-E
M-63-9	Used on 70-ABBY (Key 6-152-C).		6-63-K

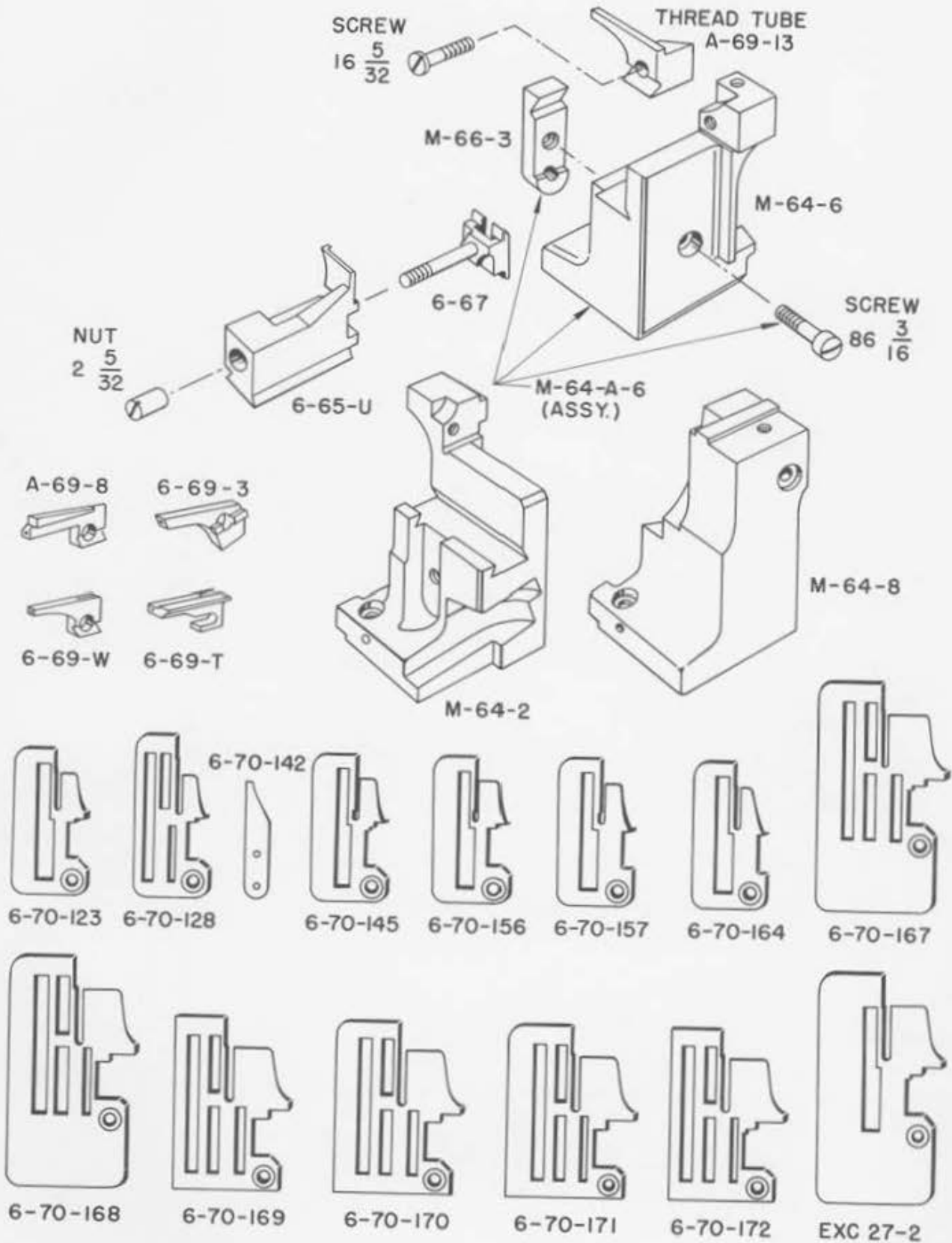
FRAME CAP ASSEMBLY



PARTS AVAILABLE FOR CLASS 60 MACHINES

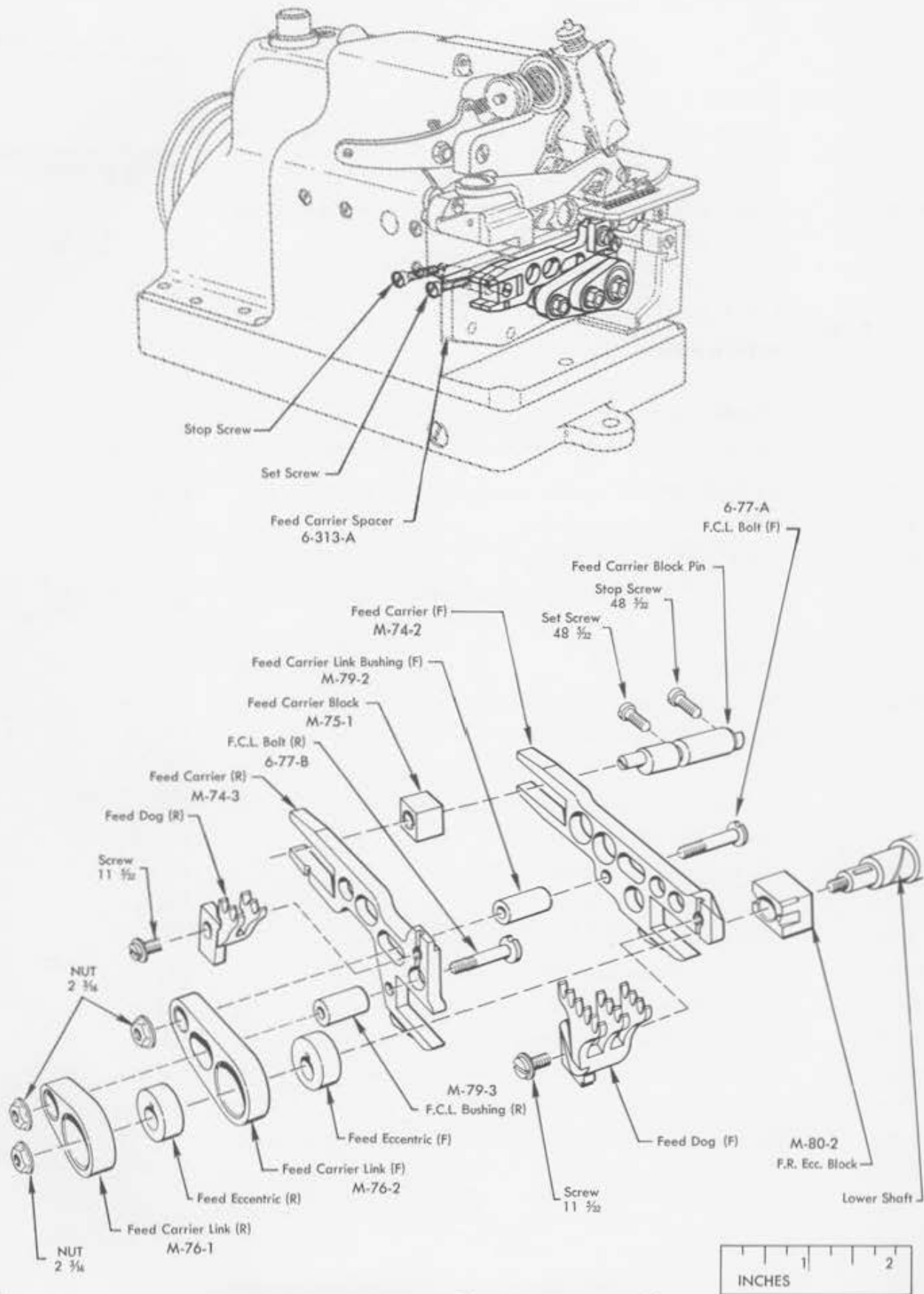
MODEL	LOWER CUTTER HOLDER SUPPORT	SCREW (2) 84-3/16	(Sc. 6-3/16)
M-64-ASSY-2	Used on 70-ABB and 70-ABBY Used with Shim M-269-5.		6-64-N
M-64-ASSY-6	Used on 70-D3B and 70-Y3B Used with Shim M-269-10.		6-64-X
M-64-8	Used on 70-ADN-1 No Shim SCREW (2) 8-3/16. Formerly EXC 634.		6-145-E
LOWER CUTTER HOLDER			
6-65-U	Generally used with Lower Cutters 6-91-E and 6-91-H.		6-65-U

THE MERROW MACHINE COMPANY



DESCRIPTIVE PARTS LIST — CLASS 70

		PARTS AVAILABLE FOR CLASS 60 MACHINES
MODEL	LOWER CUTTER HOLDER CLAMP	SCREW 86-3/16
M-66-3	Supplied in M-64-ASSY 3 and M-64-ASSY 6.	6-66 (Sc. 30-3/16)
	LOWER CUTTER CLAMP	NUT 2-5/32
6-67	Generally Used.	6-67
	THREAD TUBE	
A-69-13	Used on 70-D3B and 70-Y3B Use Clamp 6-184-B and Screw 16-5/32.	6-69-W with 6-251 (Spacer)
A-69-8	Used on 70-ABB and 70-ABBY Use Clamp 6-184-B and Screw 6-5/32.	6-69-T
6-69-3	Used on 70-ADN-1, Screw 31-5/32..	6-69-3
6-69-T	Used on 70-ABB-1, Screw 6-5/32.	6-69-T, 6-69-E (Sc. 39-3/16) (Below Dust Shield)
	NEEDLE PLATE	SCREW 7-5/32
6-70-123	Used on 70-ABB and 70-ABBY, 5D Needle Single Row Feed.	6-70-123
6-70-128	Similar to 6-70-123 but Double Row Feed.	6-70-128
6-70-142	Finger used with Needle Plate 6-193-C, Screw 7-1/8.	6-70-142
6-70-145	Similar to 6-70-123 but Thicker Finger, 8D Needle.	6-70-145
6-70-156	Similar to 6-70-145, 5D Needle.	6-70-156
6-70-157	Used on 70-ABB-4 and 70-ABBY-4, 8D Needle.	6-70-157
6-70-164	Similar to 6-70-157, 5D Needle.	6-70-164
6-70-167	Generally used on 70-D3B and 70-Y3B, 8D Needle.	6-70-165
6-70-168	Used on 70-D3B Gap Seam with Front Feed 6-81-115.	6-70-160
6-70-169	Used on 70-D3B on Birch Rotary Stand.	6-70-162
6-70-170	Used on 70-D3B on Dinsmore Rotary Stand.	6-70-159
6-70-171	Used on 70-D3B Gap Seam on Dinsmore Rotary Stand.	6-70-160D
6-70-172	Used on 70-D3B Gap Seam Birch Rotary Stand.	6-70-160B
EXC-27-2	Used with Larger Wheel Foot on 70-D3B Similar to 6-70-167 except for Single Row Feed.	EXC-27-1



FEED MECHANISM (DIFFERENTIAL)

DESCRIPTIVE PARTS LIST — CLASS 70

**PARTS AVAILABLE FOR
CLASS 60 MACHINES**

MODEL	PRESSER FOOT	
A-71-41	Used on 70-D3B and 70-Y3B Use with Presser Foot Arm A-206-9, Bracket A-316-3 and Presser Foot Finger 6-106-L, Screws 18-1/8 (short), 8-1/8 (long).	6-71-98 (Sc. 1-1/8)
A-71-44	Used on 70-ABB, 70-ABBY Use with Presser Foot Arm A-206-5, Finger 6-106-L, Spring 6-125-B and Screw 9-1/8.	6-71-82 (Sc. 1-1/8)
6-71-79	Used on 70-ADN-1, use with Heel 6-249-A, Screw 3-1/8 and Presser Foot Finger 6-106-34, SCREW 4-1/8.	6-71-79
FEED CARRIER		
M-74-1	For Non-Differential Feed (70-ABB).	A-74-1
M-74-2	For Differential Feed (Front, 70-D3B).	A-74-2
M-74-3	For Differential Feed (Rear, 70-D3B).	A-74-3
M-74-5	For Non-Differential Feed (70-Y3B and 70-ABBY) "Y" Type Feed.	6-74-R
FEED CARRIER BLOCK		
M-75-1	Used with Feed Carrier Block Eccentric Pin M-94-4 or M-94-1.	6-75-B (Pin 36-10) 6-75-E (60-Y3B, 60-ABBY)
FEED CARRIER LINK		
M-76-1	For Non-Differential Feed or Short Link, for Differential Feed.	6-76-B
M-76-2	Long Link for Differential Feed.	6-76-D
M-76-3	Front Link for "Y" Type Feed.	6-76-B
M-76-4	Rear Link for "Y" Type Feed.	6-231-A (Longer)
FEED CARRIER LINK BOLT		
		NUT 2-3/16
6-77-A	Used with Feed Carrier M-74-2, 55/64" Long.	6-77-A
6-77-B	Used with Feed Carrier M-74-3, 58/64" Long.	6-77-B
6-77-E	Used with Feed Carrier M-74-5 for "Y" Type Feed.	6-77-C (2) (60-ABBY) 6-77-D (60-Y3B)
FEED CARRIER LINK BUSHING		
M-79-2	Used with Feed Carrier (Front) M-74-2 .474 Long.	6-79-A
M-79-3	Used with Feed Carrier (Rear) M-74-3 .529 Long.	6-79-C
6-79-D	Used with Feed Carrier M-74-5 "Y" Type .254 Long.	6-256-A
FEED RAISING ECCENTRIC BLOCK		
M-80-2	Generally Used.	6-80

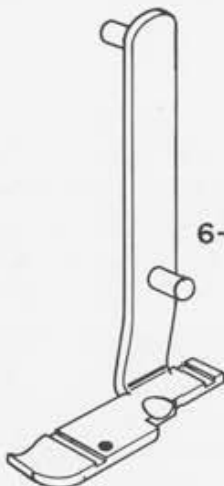
THE MERROW MACHINE COMPANY



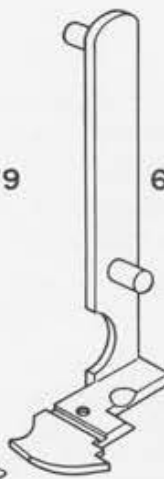
A-71-41



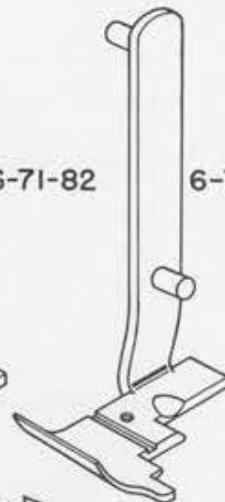
A-71-44



6-71-79



6-71-82

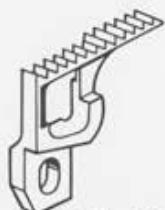


6-71-98

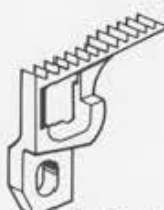
6-81-X



6-81-22



6-81-32



6-81-33



6-81-74



6-81-80



6-81-84



6-81-92



6-81-93



6-81-94



6-81-95



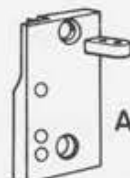
6-81-115



M-89-2



6-89-6



A-89-6



M-89-4

A-90-6



6-90-F



6-90-L



A-90-3



A-90-6



A-90-7



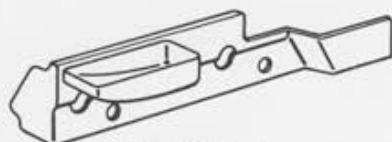
6-91-E



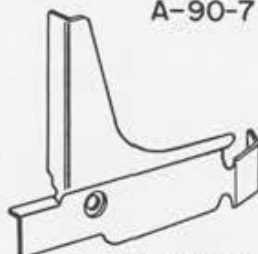
6-91-K



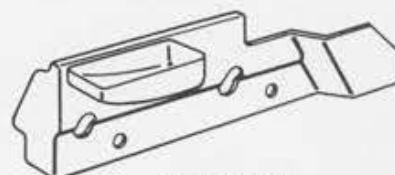
6-91-H



M-96-2



M-96-4

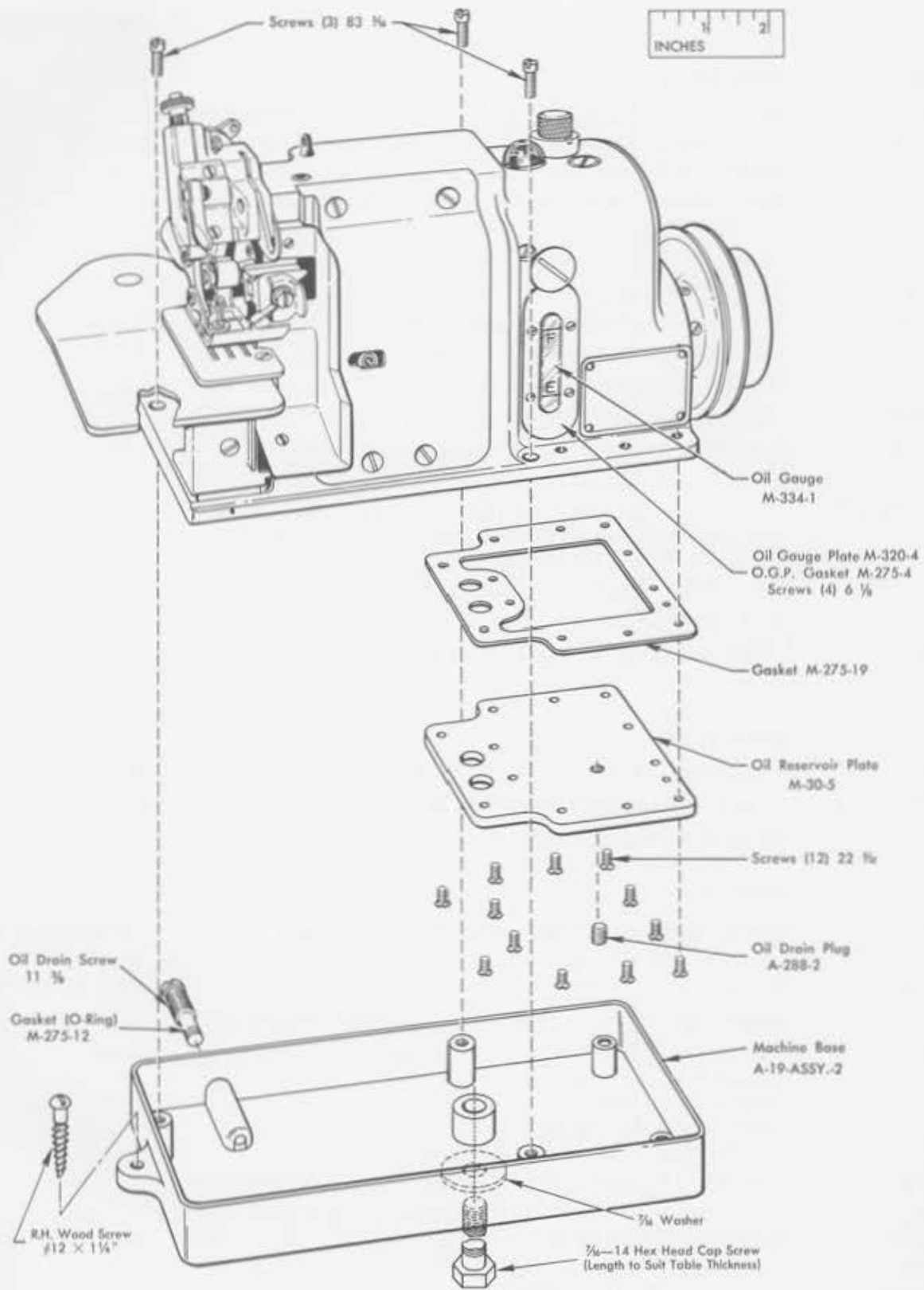


M-96-5

DESCRIPTIVE PARTS LIST — CLASS 70

PARTS AVAILABLE FOR
CLASS 60 MACHINES

MODEL	FEED DOG	SCREW 11-5/32
6-81-X	Feed Dog Ear	Screw 1-1/8
6-81-22	Non-Differential, Single Row, Coarse Teeth Use Feed Dog Ear 6-81-X, Use on 70-ABB, Screw 16-3/16.	
6-81-32	Non-Differential, Single Row, Fine Teeth, Use on 70-ABBY, Screw 11-5/32.	
6-81-33	Similar to 6-81-32 except Coarse Teeth.	
6-81-74	Rear Differential, Coarse Teeth, used on 70-ADN-1, Screw 11-5/32.	
6-81-80	Front Differential, Double Row, Coarse Teeth, used on 70-ADN-1.	
6-81-84	Rear Differential, Double Row, Coarse Teeth, use 70-ABBD.	
6-81-92	Front Differential, Fine Teeth, and used on 70-D3B, or 70-Y3B.	
6-81-93	Rear Differential, Fine Teeth, Use on 70-D3B, or 70-Y3B.	
6-81-94	Rear Differential, Coarse Teeth, Use on 70-D3B, or 70-Y3B.	
6-81-95	Front Differential, Coarse Teeth Use on 70-D3B, or 70-Y3B.	
6-81-115	Front Differential, Coarse Teeth, Narrow Right Hand Feeding Surface, used with Needle Plates 6-70-168, 6-70-171, 6-70-172 when making a Gap Seam on 70-D3B or 70-Y3B.	
	FEED ECCENTRICS	
6-82	Feed Eccentrics Key on (stitches to the inch) 4, 5, 6, 7, 8, 9, 10, 12, 14, 16, 18, 20.	
	WORK PLATE	
M-84-1	Straight Front used on 70-ABB and 70-ABBY.	6-84-V
M-84-19	Straight Front used on 70-D3B and 70-Y3B.	6-84-7
M-84-21	Straight Front used on 70-ADN-1. Formerly EXC 634-1.	6-84-U
	DUST SHIELD	
M-87-8	Used on 70-D3B and 70-Y3B, Screws (2) 5-1/8.	6-87-U (Sc. 2-1/8)
M-87-9	Used on 70-ABB and 70-ABBY, Screws (2) 2-1/8.	6-87-S 6-87-E (60-ADN-1)
	HEAD CAP	
6-89-G	Used with Large Wheel Presser Foot and Heads M-2-6 and EXC-513-6. Use with Stop Screw 10-3/32 Head Cap Screws (4) 5-3/16 Head Cap Adjusting Screw 20-¼ Head Cap Adjusting Screw Nut 3-¼	6-89-G
A-89-6	Used with P.F. Stops M-373-ASSY-1 and M-373-3. Formerly EXB 897-7B.	
M-89-2	Generally used, Screw (2) 36-5/32.	6-89-J
M-89-4	Used on 70-D3B and 70-Y3B includes thread eye. Screws (2) 36-5/32. Formerly EXC 345-52.	

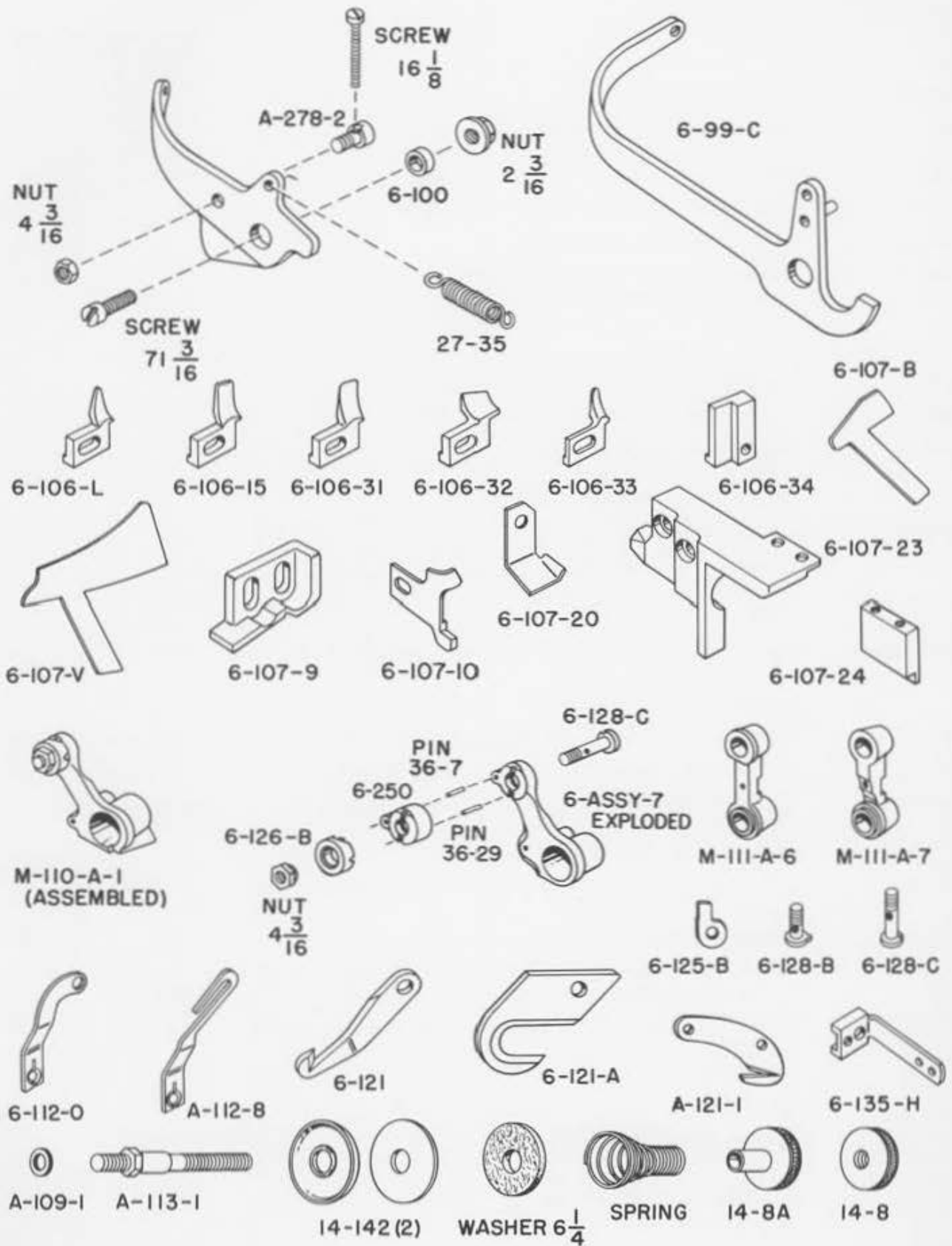


MACHINE BASE ASSEMBLY

DESCRIPTIVE PARTS LIST — CLASS 70

PARTS AVAILABLE FOR
CLASS 60 MACHINES

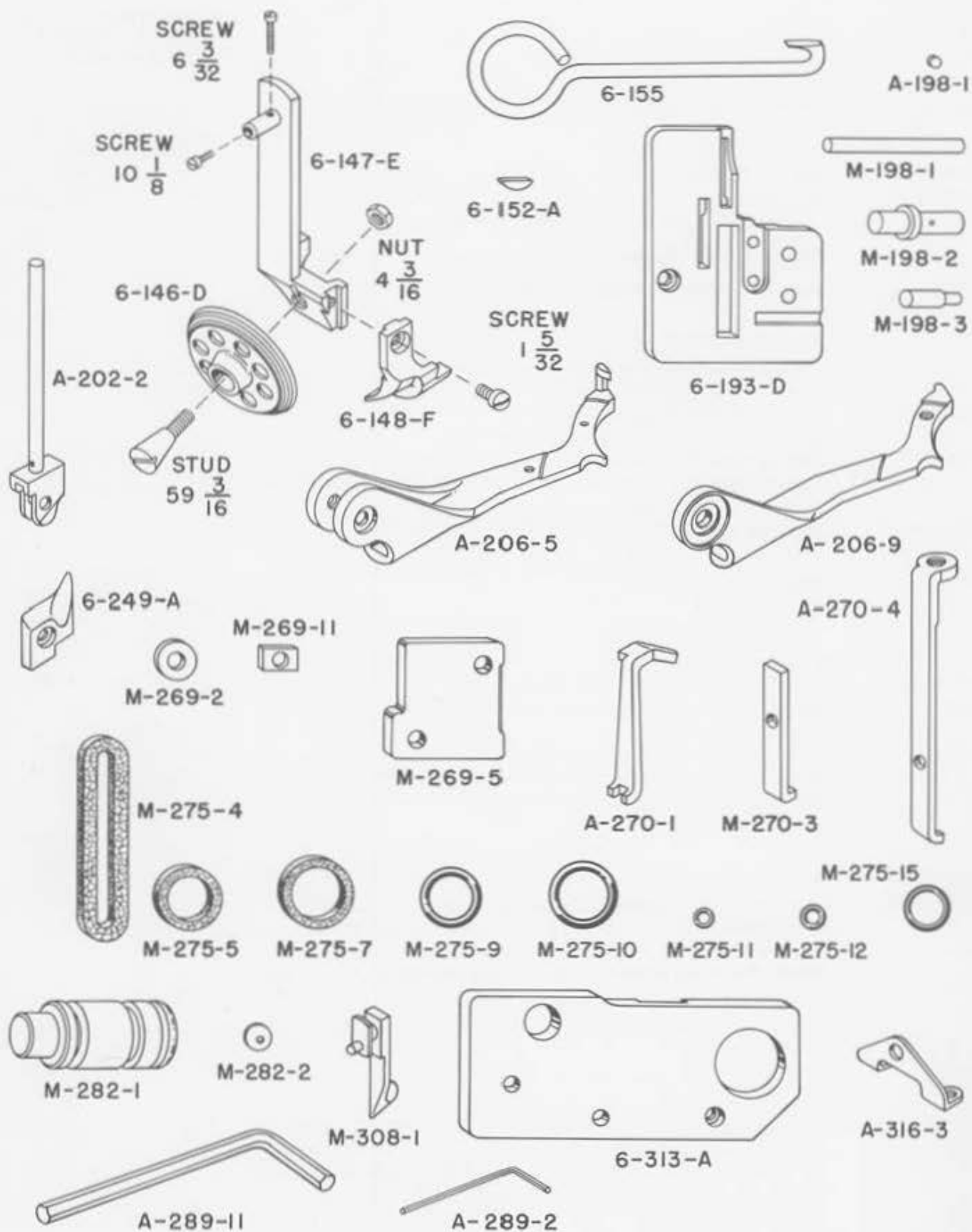
MODEL	UPPER CUTTER	
6-90-F	Wide Upper Cutter used on 70-ABB and 70-ABBY.	6-90-F (also
6-90-L	Similar to 6-90 but Serrated.	60-D3B, 60-Y3B)
A-90-3	Wide, Serrated, High Throw used on 70-D3B and 70-Y3B.	6-90-L
A-90-6	Similar to A-90-3 but not Serrated.	
A-90-7	Similar to A-90-3 but with Vertical Projection. Used on High Pile Fabrics.	
	LOWER CUTTER	
6-91-E	Wide Lower Cutter used on 70-ABB and 70-ABBY.	6-91-E
6-91-H	Similar to 6-91-E but thicker on 70-D3B and 70-Y3B.	6-91-E
6-91-K	Slightly thinner than 6-91-H without rib.	
	FEED CARRIER BLOCK ECCENTRIC PIN SCREW (2) 48-5/32	
M-94-1	Used on 70-ABB and 70-ABBY.	36-10
M-94-4	Used on 70-D3B and 70-Y3B.	36-10
	TUBE	
M-95-ASSY-4	Frame Cap Oil Feeder Tube used with Gasket (O-Ring) M-275-11.	
	FABRIC GUARD	
M-96-2	Lower Fabric Guard used on 70-ABB and 70-ABBY. Screws (2) 3-1/8.	6-96-C (Sc. 4-3/16)
M-96-4	Upper Fabric Guard used on 70-ABB and 70-ABBY. Screw 7-5/32.	
M-96-5	Lower Fabric Guard used on 70-D3B and 70-Y3B. Screws (2) 3-1/8.	6-96-M (Sc. 4-3/16)
	UPPER CUTTER HOLDER CLAMP	
A-97-1	Screw on 70-ABB and 70-ABBY 8-1/8; on 70-D3B and 70-Y3B, 19-1/8.	6-97 (Sc. 13-5/32)
	PRESSER FOOT LIFTER	
M-99-1	Generally used: Presser Foot Lift Stop Clamp A-278-2, Screw 16-1/8, Nut 4-3/16, Spring 27-35.	6-99-A
6-99-C	Used with Head Cap 6-89-G on Heads M-2-6 and EXC-513-6. Formerly EXC 513-3. Presser Foot Lifter Stop Clamp A-278-2, Screw 16-1/8, Nut 4-3/16, Spring 27-35.	
	PRESSER FOOT LIFTER BUSHING	
6-100	Generally used: Screw 10-3/16 Nut 2-3/16	6-100



DESCRIPTIVE PARTS LIST — CLASS 70

MODEL	PRESSER FOOT FINGER	SCREW 8-168 on 70-D3B SCREW 9-1/8 on 70-ABB	PARTS AVAILABLE FOR CLASS 60 MACHINES
6-106-L 6-106-15 6-106-31 6-106-32 6-106-33 6-106-34	Used on 70-D3B, 70-Y3B. Thick Wide Finger. Wide Finger. Thick Wide Stub Finger used on High Pile Fabric. Similar to 6-106-L but thinner. Used on 70-ABB-4 with Fabric Guide 6-107-10. Used with 6-71-79. Formerly EXC 226-1.		6-106-L (Sc. 1-1/8) 6-106-15 (Sc. 1-1/8) Same
FABRIC GUIDE			
6-107-B 6-107-V 6-107-9 6-107-10 6-107-20 6-107-23 6-107-24	Edge Guide adapted to be used in place of Lower Cutter. Similar to 6-107-B but larger, used on 70-D3B. Used on 70-ADN-1 Screws (2) 16-3/16. Used on 70-ABB-4 and 70-ABBY-4 Screw 8-1/8. Used on Upper Cutter to Divert Cut Ends of Material. Used on 70-ADN-1 with Fabric Guide Extension. 6-107-24, Screws (2) 9-1/8. Formerly EXC 226. Extension Used with 6-107-23. Formerly EXC 634-2.		Same
TENSION ROD SHELL			
A-109-1	Generally used.		6-109-B (1/2" Long)
NEEDLE CARRIER			
M-110-ASSY-1	Used on 70-ABB and 70-ABBY Includes: Needle Carrier Assembled with Collar 6-126-B, Bolt 6-128-B, Nut 4-3/16 and Pin 36-6.	SCREWS 4-9/32 and 8-7/32	6-110-F
6-ASSY-7	Used on 70-D3B and 70-Y3B Includes: Needle Carrier Assembled with Collar 6-126-B, Bolt 6-128-C, Nut 4-3/16, Spacer 6-250, Spacer Locating Pin 36-29 and Needle Locating Pin 36-7.		(6-ASSY-3) 6-ASSY-7
NEEDLE CARRIER LINK			
M-111-ASSY-6	Used on 70-D3B Includes: Plug M-282-2.		6-111-L
M-111-ASSY-7	Used on 70-ABB and 70-ABBY Includes: Plug M-282-2.		6-111-H
NEEDLE THREAD TAKEUP			
6-112-0 A-112-8	Used on 70-ADN-1. Used on 70-ABB-1.	SCREW 1-7/64	6-112-0
TENSION ROD MUST SPECIFY SPRING DESIRED			
M-113-ASSY-2	Consists of Tension Rod A-113-1, T. Disk (2) 14-142 Felt Washer 6-1/4, T. Nut (holds spring) 14-8A T. Nut 14-8, T.R. Shell A-109-1 and Tension Spring (14-760, Light: 14-64, Medium; or 14-64-A, Heavy).		
A-113-1	Tension Rod only.		14-523 (N. Thread) 6-113-A (L. Thread)

THE MERROW MACHINE COMPANY



DESCRIPTIVE PARTS LIST — CLASS 70

MODEL	THREAD CUTTER	PARTS AVAILABLE FOR CLASS 60 MACHINES
6-121	Used on 70-Class Machines equipped with head, M-2-6 and EXC-513-6, Screw 45-3/16.	6-121
6-121-A	Used on 70-D3B and 70-Y3B, Screw 83-3/16.	
A-121-1	Used on 70-ABB and 70-ABBY, Screw (2) 11-3/32.	
	PRESSER FOOT HINGE SPRING	SCREW 9-1/8
6-125-B	Used on 70-ABB and 70-ABBY.	
	NEEDLE CARRIER COLLAR	
6-126-B	Supplied in M-110-ASSY-1, and 6-ASSY-7.	6-126-B
	NEEDLE CARRIER BOLT	
6-128-B	Supplied in M-110-ASSY-1.	6-128-B (6-ASSY-3)
6-128-C	Supplied in 6-ASSY-7.	6-128-C (6-ASSY-7)
	LOOPER THREAD TAKEUP	
6-135-H	Used on 70-ADN-1 with U.C.H. Clamp A-97-1, Screws 26-5/32 and 10-1/8. Formerly EXC 640-1.	6-135-D on Carrier 6-133 Stud 6-134A
	OIL COLLECTOR	
A-137-5	Fits on Looper Carrier Guide. Screw (2) 6-1/8.	6-137-A (On Frame Cap)
M-137-3	Fits on Upper Shaft Hole, Interlocks with Upper Shaft Oil Meter Holder M-137-5.	
M-137-5	Upper Shaft Oil Meter Holder fits on Frame above Upper Shaft Hole use Gasket (O-Ring) M-275-17, Screw 2-½.	
	WHEEL PRESSER FOOT	
6-146-D	Large Wheel.	
6-146-D Comp.	Wheel Presser Foot (Large), complete with P.W. Shank 6-147-E, P.W. Shank Pin Screw 6-3/32, P.W. Shank Pin Screw Clamp 10-1/8 P.W. Guard Screw 1-5/32, P.W. Taper Stud 59-3/16, P.W. Taper Stud Nut 4-3/16, P.W. Guard 6-148-F on 70-ABB and EXC-646 on 70-D3B. Use with Head M-2-6 on 70-ABB and EXC-513-6 on 70-D3B.	
	PRESSER WHEEL SHANK	
6-147-E	Used on Presser Wheel 6-146-D. P. W. Shank Pin Screw 6-3/32. P. W. Shank Pin Clamp Screw 10-1/8.	
	PRESSER WHEEL GUARD	SCREW 1-5/32
6-148-F	Used with Presser Wheel 6-146-D on 70-ABB.	
EXC-646	Used with Presser Wheel 6-146-D on 70-D3B.	

THE MERROW MACHINE COMPANY

PARTS AVAILABLE FOR CLASS 60 MACHINES

MODEL	FEED ECCENTRIC KEY	
6-152	Used with Lower Shaft M-63-8 (Differential).	6-152 in 6-63-D, E
6-152-A	Used with Lower Shaft 6-63-0 (Differential).	6-152A in 6-63-L
6-152-B	Used with Lower Shaft M-63-6 (Non-Differential).	
6-152-C	Used with Lower Shaft M-63-7 and M-63-8 (Non-Differential).	6-152C in 6-63-G, K
6-155	ECCENTRIC EXTRACTOR	6-155
	THREAD TUBE CLAMP	
6-184-B	Generally used	SCREW 6-5/32 on 70-ABB 6-184-B
M-184-1	Used with Thread Tube A-61-4, Shell A-109-1, Screw 91-3/16 on 70-ABB-1 and 70-ADN-1. Formerly EXC 345-55.	SCREW 16-5/32 on 70-D3B and 70-Y3B
	NEEDLE PLATE	(Separate Chaining Finger)
6-193-D	Used with Needle Plate Finger 6-70-142 Screws (2) 7-5/32.	6-193-D
6-195	PRESSER FOOT LIFTER CHAIN	6-195
	PLUNGER	
A-198-1	Used in Head Against P.F.S. Adj. Screw 6-3/8, and with Screw 13-5/32.	
M-198-1	Used in Frame to set Needle Carrier Stud Screw 4-9/32 and Set Screw 8-7/32.	
M-198-2	Oil Pump Plunger with: Screw (Upper Pump) 8-7/16, Spring 27-40, Screw Gasket M-275-5.	
M-198-3	Work Plate Plunger used with W.P.P. Spring 27-42.	
M-198-7	Used in M-33-5, Screw 1-No. 5.	
M-198-8	Used in M-358-1 on 70-Y3B and 70-ABBY with Spring 27-47 and Screw 6-3/8.	6-198-B
	PRESSER BAR	
A-202-1	Used on 70-ABB and 70-ABBY.	
A-202-2	Used on 70-D3B and 70-Y3B.	
	PRESSER FOOT ARM	
A-206-5	Used on 70-ABB and 70-ABBY.	
A-206-9	Used on 70-D3B and 70-Y3B.	
	UPPER LOOPER CARRIER GUIDE	
M-210-2	Generally used:	SCREWS (2) 55-3/16 SCREWS (1) 49-5/32 6-210-A 37-58 (60-ABB, 60-ABBY, 60-ADN-1)
	PRESSER FOOT EXTENSION	
6-249-A	Used on 6-71-79.	6-249-A

DESCRIPTIVE PARTS LIST — CLASS 70

PARTS AVAILABLE FOR
CLASS 60 MACHINES

MODEL	NEEDLE CLAMP SPACER	
6-250	Supplied in 6-ASSY-7	SCREW 16-5/32. 6-250

SHIMS

M-269-2	For Upper Looper Carrier Guide, Round specify thickness desired, .0515, .0520, .0525, .0570.
M-269-5	(.123 Thickness) Used under Lower Cutter Holder Support M-64-ASSY-3 on Styles 70-ABB and 70-ABBY.
M-269-10	(.093 Thickness) Used under Lower Cutter Holder Support M-64-ASSY-6 on Style 70-D3B and 70-Y3B.
M-269-11	For Upper Looper Carrier Guide, rectangular specify thickness desired, .0515, .0520, .0525, .0570.

PRESSER BAR LATCH

A-270-1	Used with P.F. Stops M-373-ASSY-1 and M-373-2.
M-270-3	Generally used.
A-ASSY-17	Includes A-270-4, Screw 64-3/16, Nut 2-3/16. Formerly EXC 578.
A-270-4	Used on 70-D3B to prevent Foot lifting too high (High Pile Fabrics).

GASKET

M-275-4	Oil Gage Gasket.
M-275-5	Oil Pump Plunger Screw Gasket.
M-275-7	Oil Collector Screw (3-9/16) Gasket.
M-275-9	(O-Ring) Handwheel Seal Gasket.
M-275-10	(O-Ring) Upper Cutter Carrier Stud Hole Plug (M-282-1) Gasket.
M-275-11	(O-Ring) Used on Upper Shaft Flange Extension, Oil Meters (3) M-350-(A-E), and Frame Cap Oil Feeder Tube.
M-275-12	(O-Ring) Oil Drain Screw (11-3/8) Gasket.
M-275-15	(O-Ring) Oil Bubbler Pipe (37-¼) Gasket.
M-275-17	(O-Ring) Upper Shaft Oil Meter Holder (M-137-5) Gasket.
M-275-18	(Nylon Washer) Frame Cap and Lower Shaft Oil Meter Holder (6-9/32) Gasket.
M-275-19	Oil Reservoir Plate (M-30-5) Gasket.

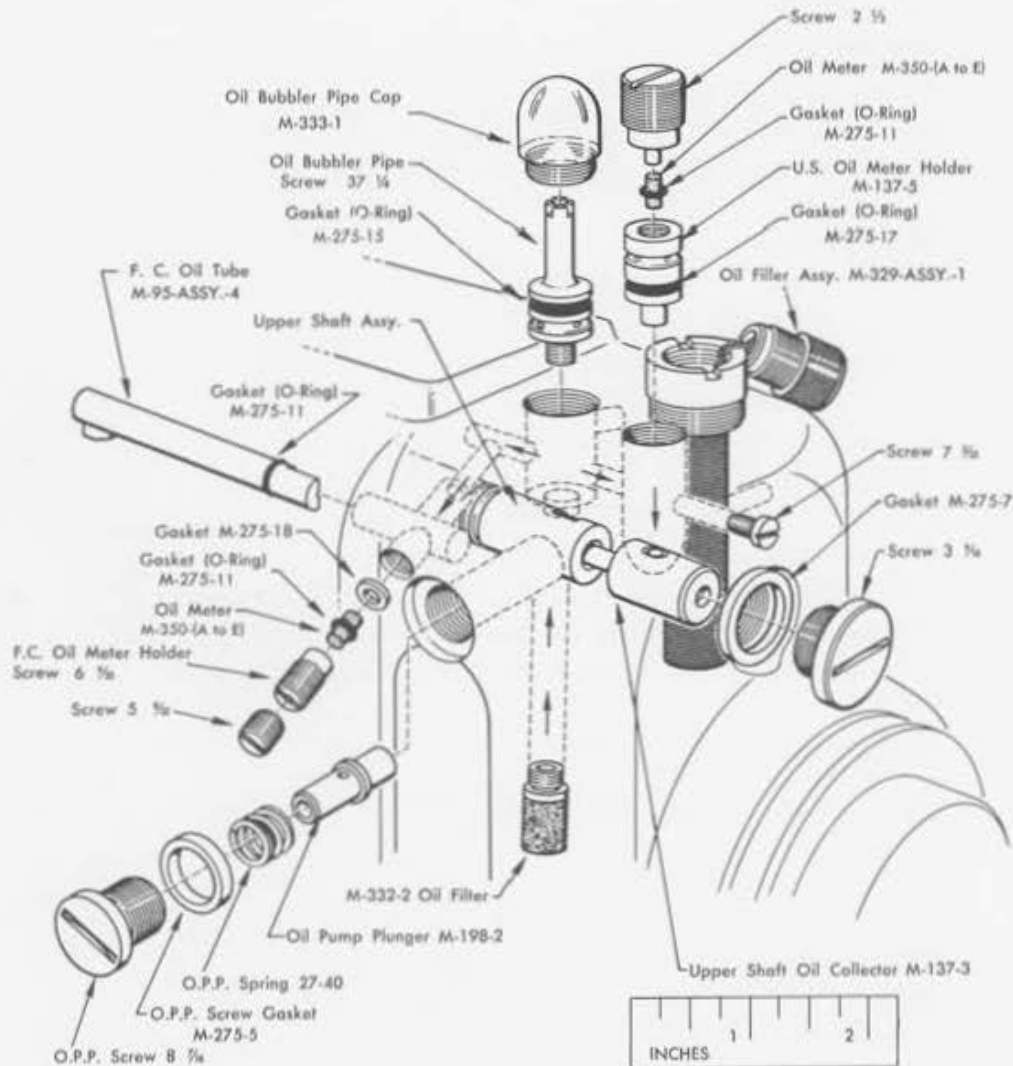
PRESSER FOOT LIFTER STOP CLAMP

A-278-1	Use A-278-2.
A-278-2	Used with Screw 16-1/8 and Nut 4-3/16.

PLUG

M-282-1	Generally used: Fits in Hole for U.C.C. Stud. Used with: Screw 89-3/16, Gasket (O-Ring) M-275-10.
M-282-2	Supplied in Assembly M-111-ASSY-6 and M-111-A-7.

<p>MODEL A-289-1 A-289-2</p>	<p>WRENCH (Socket) Wrench Main Cams. Wrench Loopers.</p>		
<p>M-308-1</p>	<p>PRESSER BAR LOCK Used with Presser Bar Catch M-270-3.</p>		
<p>6-313-A 6-313-B</p>	<p>FEED CARRIER SPACER Used on 70-D3B Used on 70-Y3B</p>	<p>SCREW 87-3/16 SCREW 4-3/16</p>	<p>6-313 (60-ABBY) 6-326-1 (60-Y38)</p>
<p>A-316-3</p>	<p>BRACKET Presser Foot Bracket used with Presser Arm A-206-9 and Presser Foot A-71-41.</p>	<p>SCREW 26-5/32</p>	

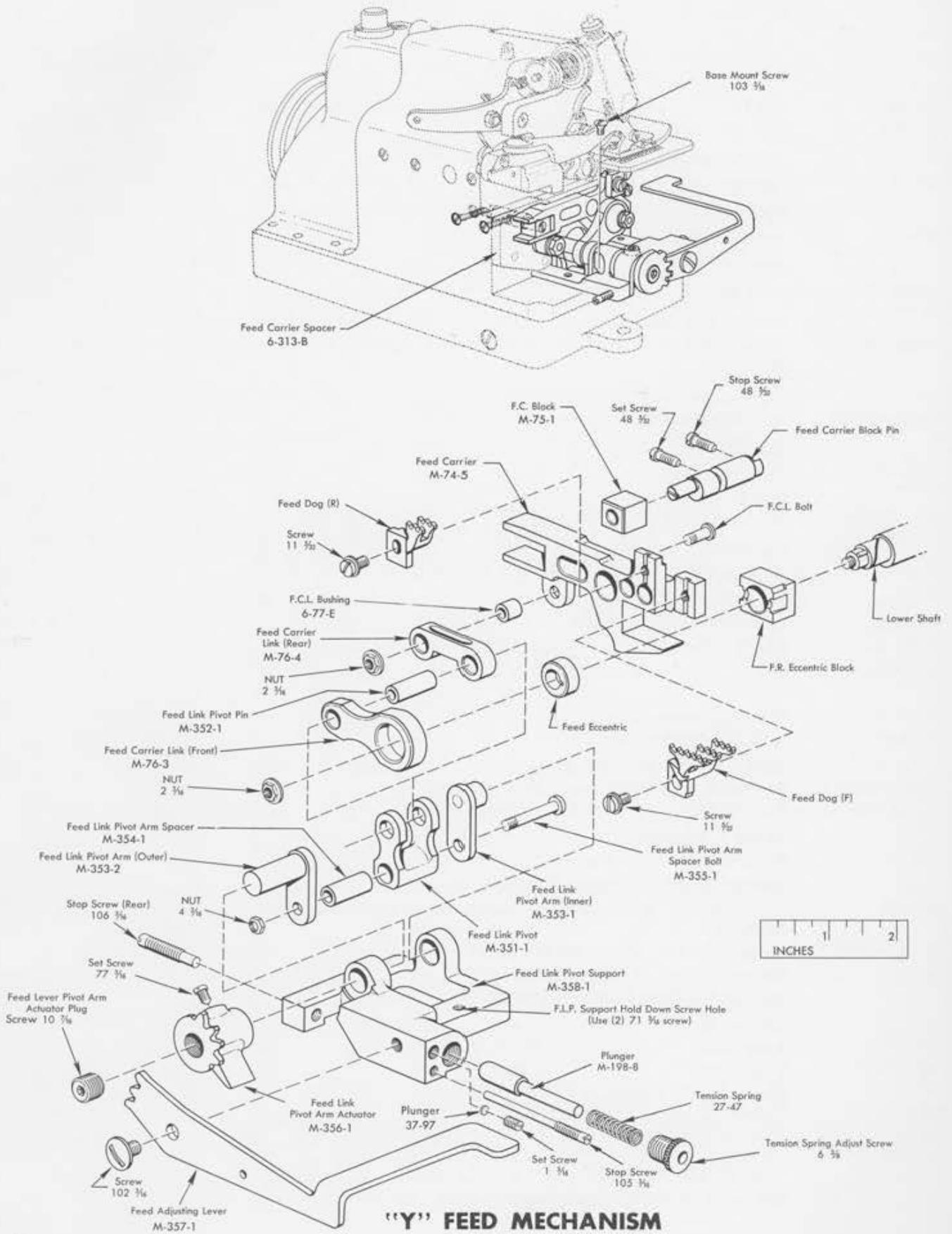


**FRAME CAP AND UPPER SHAFT
OILING PARTS**

DESCRIPTIVE PARTS LIST — CLASS 70

PARTS AVAILABLE FOR
CLASS 60 MACHINES

MODEL M-320-4	PLATE Oil Gage Plate used with Gasket M-275-4.	SCREWS (4) 6-1/8
M-323-2	UPPER LOOPER CARRIER SLIDE ROD Generally used.	SCREWS (2) 46-5/32
M-324-1	STUD Generally used.	
M-325-10	GUARD Hand Wheel Guard, Use Screw 103-3/16, Washer 4-3/16.	
M-329-ASSY-1	OIL FILLER ASSEMBLY Includes O.F. Cap Assembly M-331-ASSY-1, Screw 1-3/4, Screen M-330-1.	
M-331-ASSY-1	OIL FILLER CAP ASSEMBLY Includes: Screw 1-3/4, Anchor M-321-2, Chain M-331-1.	
M-332-2	OIL FILTER Generally used.	
M-333-1	OIL BUBBLER CAP Used with Screw 37-3/4 (Oil Bubbler Pipe).	
M-334-1	OIL GAGE Use with O.G. Gasket M-275-4 and O.G. Plate M-320-4.	
M-335-1	PRESSER FOOT LIFTER ROLL Used with P. A. Pivot M-33-3.	SCREW 90-3/16
M-335-2	Used with P. A. Pivot M-33-5.	
M-337-2	UPPER CUTTER CARRIER STUD BUSHING U. C. C. S. Bushing (right).	SCREW 87-3/16 PLUNGER 37-97
M-337-4	U. C. C. S. Bushing (left).	
M-339-ASSY-11	UPPER SHAFT FLANGE ASSEMBLY Supplied M-62-ASSY-11, Gasket (O-Ring) M-275-11.	SCREW (2) 2-7/64
M-339-ASSY-12	Supplied M-62-ASSY-12, Gasket (O-Ring) M-275-11.	
M-341-1	NEEDLE BEARING Supplied Assembled in Frame.	
M-346-1	UPPER SHAFT OIL DISTRIBUTOR ROD(S) .1880 Diameter Rod Supplied in Assembly M-62-ASSY-11 or M-62-ASSY-12.	
M-346-2	Similar to M-346-1 Except .1885 Diameter.	
M-346-3	Similar to M-346-1 Except .1890 Diameter. Rods are selected to fit at factory and should not be changed.	
M-350-A	OIL METER Extra Coarse.	
M-350-AB	Very Coarse.	
M-350-B	Coarse.	
M-350-C	Normal.	
M-350-D	Fine.	
M-350-E	Very Fine. These Oil Meters generally used in 70-Class Machines, grade chosen to give proper oil flow. Gasket (O-Ring) M-275-11.	

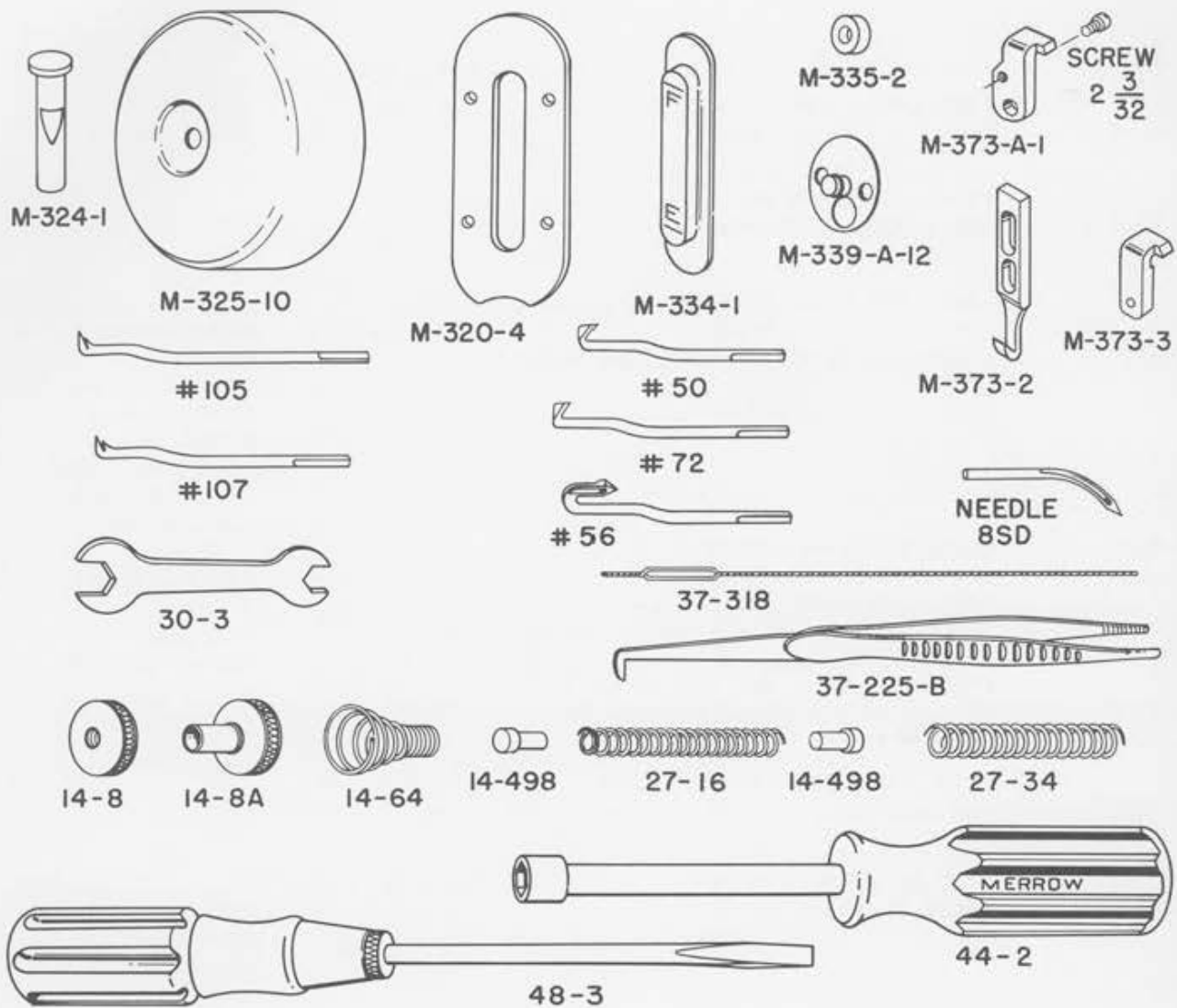


"Y" FEED MECHANISM

DESCRIPTIVE PARTS LIST — CLASS 70

MODEL	FEED LINK PIVOT	PARTS AVAILABLE FOR CLASS 60 MACHINES
M-351-1	Used on 70-Y3B and 70-ABBY.	6-230-A (Rocker)
M-352-1	FEED LINK PIVOT PIN Used on 70-Y3B and 70-ABBY.	
M-353-1 (Inner)	FEED LINK PIVOT ARM. Used on 70-Y3B and 70-ABBY.	6-255A Connection (Inner) Used With: 6-256-A U. Bushing, 6-79-D L. Bushing, 6-77-C L. Bolt, 6-77-C U. Bolt (ABBY) 6-77-D U. Bolt (Y3B) Nuts (2) 2-3/16
M-353-2 (Outer)	Used on 70-Y3B and 70-ABBY.	6-254 Slide (Outer)
M-354-1	FEED LINK PIVOT ARM SPACER Used with Bolt M-355-1 on 70-Y3B and 70-ABBY.	6-233 (Stud) (Clamp Screw 2-1/4)
M-355-1	FEED LINK PIVOT ARM SPACER BOLT Used with Spacer M-354-1 on 70-Y3B and 70-ABBY.	
M-356-1	FEED LINK PIVOT ARM ACTUATOR Used on 70-Y3B and 70-ABBY with Plug Screw No. 10-7/16.	SCREWS 89-3/16
M-357-1	FEED ADJUSTING LEVER Used on 70-Y3B and 70-ABBY.	SCREW 102-3/16 6-303 (Extension) 6-21-A (Lever) Screw (2) 38-5/32 Nut (2) 1-5/32
M-358-1	FEED LINK PIVOT SUPPORT Used on 70-Y3B. Use Stop Screws No. 105-3/16 and No. 106-3/16 Front and Rear, Plunger 37-97, Set Screw 1-3/16, Plunger M-198-8, Spring 27-47, and Tension Spring Adjusting Screw 6-3/8.	SCREW (2) 71-3/16
M-358-2	Used on 70-ABBY. Uses same Parts as M-358-1.	6-20-B (Sc. 11-1/4) 6-20-B (Sc. 11-1/4)
M-373-ASSY-1	PRESSER FOOT STOP Used on 70-D3B and 70-Y3B to hold Foot off Needle Plate. Includes Screw 2-3/32. Used with Screw 7-5/32, Catch M-373-2, and Latch A-270-1.	
M-373-2	Catch Used with P.F. Stop M-373-ASSY-1 or M-373-3 on Head Cap A-89-6.	SCREWS (2) 9-1/8
M-373-3	Used on 70-ABB and 70-ABBY to hold Foot off Needle Plate. Formerly EXC 582-2. Used with Screw 10-3/32, Catch M-373-2.	

THE MERROW MACHINE COMPANY



PARTS AVAILABLE FOR
CLASS 60 MACHINES

MODEL	LOOPERS	
72	Lower Looper-Throat, used on 70-D3B and 70-Y3B.	72
105	Upper Looper-Throat, used on 70-D3B and 70-Y3B.	69
107	Upper Looper-Throat, used on 70-ABB and 70-ADN-1.	58
50	Lower Looper-Throat, used on 70-ABB.	50
56	Lower Looper-Eye, used on 70-ABB-1 and 70-ADN-1 to produce two-thread stitch.	56
	NEEDLES (25 per package)	
3D,4D,5D,8D	Specify Chrome Finish if desired.	
8SD	Slabbed (Chrome available).	
3DT,6DT,7SDT	Tapered Blade.	
8DG Chrome	Grooved Point.	

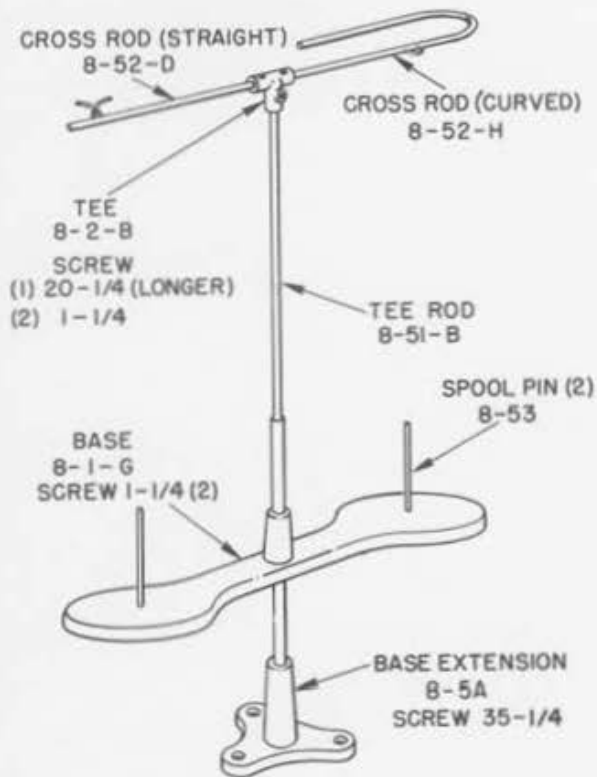
DESCRIPTIVE PARTS LIST — CLASS 70

PARTS AVAILABLE FOR
CLASS 60 MACHINES

MODEL	MAIN CAMS	SCREW 9-¼ Cam Timing Screw
	If necessary to replace Cams, specify style and serial number of Machine.	
	Cams are fitted in pairs and should be replaced only in pairs.	
M-124	Upper Cam for 70-D3B and 70-Y3B.	124-A
M-125	Lower Cam for 70-D3B and 70-Y3B.	125-A
M-98	Upper Cam for 70-ABB and 70-ABBY and 70-ADN-1.	98 (60-ADN-1) 98A (60-ABB)
M-99	Lower Cam for 70-ABB and 70-ABBY and 70-ADN-1.	99A
MISCELLANEOUS PARTS		
14-8	Tension Nut.	
14-8-A	Tension Nut (holds spring).	
14-64	Tension Spring (heavy), See M-113-ASSY-2.	
14-64-A	Tension Spring (very heavy), See M-113-ASSY-2.	
14-142	Tension Disc, See M-113-ASSY-2.	
14-455	Cam Roll used on 70-ABB, 70-ABBY and 70-ADN-1.	
14-455-D	Cam Roll (barrel shape) Copper Colored hole for identification. Used on 70-D3B and 70-Y3B.	
14-760	Tension Spring Light, See M-113-ASSY-2.	
27-10	Presser Foot Spring (light).	
27-10-A	Presser Foot Spring (light) with Plungers (2) 37-498, used with M-2-6.	
27-16	Presser Foot Spring (heavy).	
27-16-A	Presser Foot Spring (heavy) with Plungers (2) 37-498, used with M-2-6.	
27-33	Presser Foot Spring (light).	
27-34	Presser Foot Spring (medium).	
27-36	Presser Foot Spring (heavy).	
27-45	Presser Foot Spring (heavy) (flat wire).	
27-47	Plunger Spring used with M-198-8 on 70-Y3B and 70-ABBY.	27-29
30-3	Wrench for changing Feed Eccentrics (Cams).	
37-97	Plunger—Used with M-358-1 on 70-Y3B and 70-ABBY with Set Screw 1-3/16. Also with Screw 87-3/16 on U.C.C.S. Bushing M-337-2 and M-337-4.	
37-225-B	Tweezers with hook.	
37-318	Threading Wire.	
37-498	Presser Foot Spring Plunger used with Spring 27-10 and 27-16.	
44-2	Socket Wrench for Needle Carrier Nut.	
48-3	Screw Driver.	

THE MERROW MACHINE COMPANY

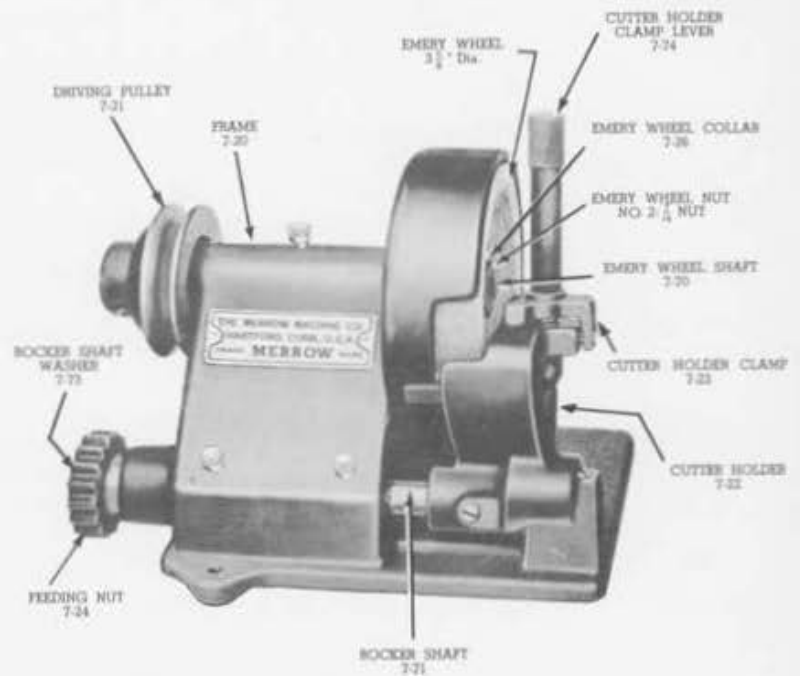
THREAD STAND



Model

	Two-Thread Thread Stand Complete for Class 70
8-1-G	Base
	Screw 1 1/4 (2)
8-2-B	Tee
	Screw (1) 20 1/4 (Longer)
	Screw (2) 1 1/4
8-5A	Base Extension
	Screw 35 1/4
8-50-B	Base Rod
8-51-B	Tee Rod
8-52-D	Cross Rod (Straight)
8-52-H	Cross Rod (Curved)
8-53	Spool Pin (2)

CUTTER GRINDER



Model

	Cutter Grinder Complete
7-20-A	Frame
7-21	Driving Pulley
	Driving Pulley Screw 5 1/4 (2)
7-22-B	Cutter Holder (including Pin 36-15)
	Cutter Holder Screw 7 1/4
7-23	Cutter Holder Clamp
	Cutter Holder Clamp Spring 27-14
7-24	Feeding Nut
7-26	Emery Wheel Collar (2)
7-70	Emery Wheel Shaft
7-71	Rocker Shaft
7-72	Rocker Shaft Collar
7-73	Rocker Shaft Washer
	Rocker Shaft Washer Screw 6-3/16
7-74	Cutter Holder Clamp Lever
7-76	Friction Leather
	Friction Leather Screw 1-3/8
	Emery Wheel 3-5/8" Diameter
	Emery Wheel Nut 2-7/16
	Oil Hole Screw 97-3/16
	Pin 36-15 (fits 7-22-B)
	Oiler 101 (lubricates rocker shaft) (2)
	Oiler 104 (lubricates emery wheel shaft)

MERROW[®]

THE MERROW MACHINE COMPANY, HARTFORD, CONN.